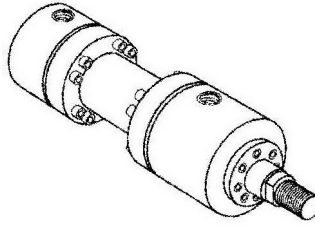


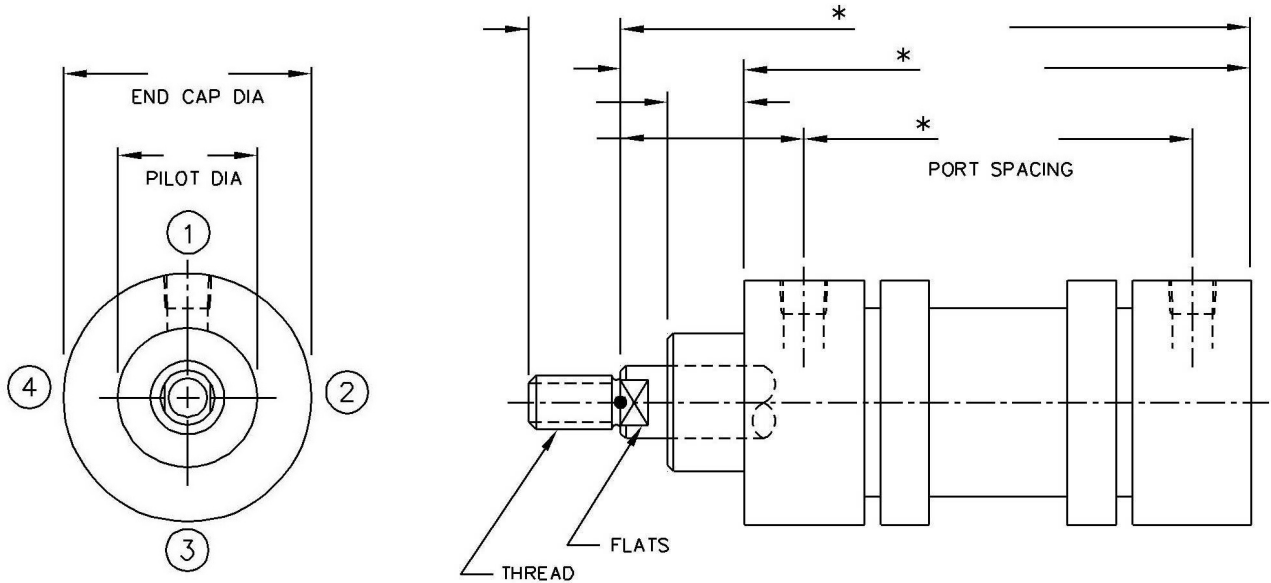
# Peninsular Mill Type Cylinder Sizing Chart

- PRINT this Blank Template Page
- PRINT the APPLICATION DATA SHEET (SCROLL DOWN)
- FILL IN the Required Information on BOTH PAGES
- FAX BOTH PAGES to Peninsular at (586) 775-4545

## Basic Mill Cylinder Template MXO Mount (No Mount) (SKETCH YOUR OWN DESIGN)



Date Submitted: \_\_\_\_\_ No. of Pages \_\_\_\_\_  
 Name: \_\_\_\_\_  
 Company: \_\_\_\_\_  
 Phone: \_\_\_\_\_  
 Fax: \_\_\_\_\_  
 Email: \_\_\_\_\_



**ABOVE:** Fill in actual Cylinder Dimensions. **BELOW:** Check ALL Applicable Boxes & provide ALL INFORMATION to best describe the Cylinder

- AIR CYLINDER - Indicate Working Pressure: \_\_\_\_\_  
 HYDRAULIC CYLINDER - High Pressure  
 HYDRAULIC CYLINDER - Low Pressure

If Hydraulic - Indicate Working Pressure: \_\_\_\_\_

If Hydraulic - Indicate Maximum Rated Pressure: \_\_\_\_\_

If Hydraulic - Indicate Fluid Type: \_\_\_\_\_

Is the Cylinder an "INCH" Cylinder? Yes  No

Is the Cylinder METRIC? Yes  No

if METRIC, specify Standard: \_\_\_\_\_

SAFETY FACTOR Required: \_\_\_\_\_

End Cap STYLE: Welded  Threaded  Snap Ring

Cylinder TUBE MATERIAL: \_\_\_\_\_

Cylinder END CAP MATERIAL: \_\_\_\_\_

Are GREASE FITTINGS Required? Yes  No

BORE Size: \_\_\_\_\_ STROKE Length: \_\_\_\_\_

PISTON ROD DIAMETER: \_\_\_\_\_ PISTON ROD THREADS: Male  Female  Other  (Describe): \_\_\_\_\_

Specify PISTON ROD THREAD DIAMETER, PITCH & LENGTH (example: 3/4" - 16 x 1.125") : \_\_\_\_\_

PORT THREAD TYPE: NPT  SAE (O-Ring)  SAE Four Bolt Flange  PORT THREAD SIZE (Specify): \_\_\_\_\_

Does the Cylinder have OPTIONAL CUSHION(s)? No  on BOTH End Caps  the FRONT END CAP Only  the REAR END CAP Only

Indicate Existing Cylinders MANUFACTURER & MODEL NUMBER : \_\_\_\_\_

Is a Cylinder ACCESSORY Required? (ex. a Rod Clevis) : No  Yes  (indicate the type of Accessory \_\_\_\_\_ & provide Dimensions on Page 10)

Indicate any other Special Cylinder Features if applicable. If available, provide Sketches, Engineering Drawings and Photographs of the Cylinder. If applicable, indicate the Mode of Cylinder Failure, Harsh Environmental Factors, Electronic Positioning Devices or any other Pertinent Information regarding the existing Cylinder. For any questions, please call Peninsular Inside Sales at 1-800-526-7968.

Referencing the diagram below, indicate the **SIDE LOCATION #** for PORTS and/or Optional CUSHION ADJUSTMENT SCREWS for both the FRONT & REAR End Caps

### FRONT End Cap

• The PORT (Hydraulic or Air) is located on FRONT End Cap SIDE LOCATION #s: \_\_\_\_\_

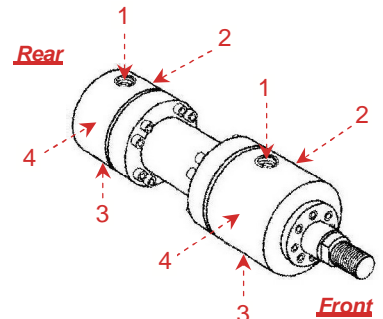
• The CUSHION ADJUSTMENT SCREW (an Optional Feature) is located on FRONT End Cap SIDE LOCATION #: \_\_\_\_\_

### REAR End Cap

• The PORT (Hydraulic or Air) is located on REAR End Cap SIDE LOCATION #s: \_\_\_\_\_

• The CUSHION ADJUSTMENT SCREW (an Optional Feature) is located on REAR End Cap SIDE LOCATION #: \_\_\_\_\_

### End Cap Port / Cushion Adjustment Screw SIDE LOCATION # Diagram



Always view the Cylinder through the Rod End from the Front End Cap side of the Cylinder



**PENINSULAR  
CYLINDER CO.**

# APPLICATION DATA SHEET

## for Peninsular Mill Type Cylinders

- PRINT this APPLICATION DATA SHEET
- FILL IN the Required Information on BOTH PAGES
- PRINT the SIZING CHART for the cylinder you need
- FAX BOTH PAGES to Peninsular at (586) 775-4545

**BELOW: Check ALL Applicable Boxes & provide ALL INFORMATION to best describe the Cylinder**

Date Submitted: _____	Type of Business: _____
Company Name: _____	Contact Name: _____
Address: _____	Title: _____
City: _____ State: _____ Zip: _____	Telephone: _____ Fax: _____
Country: _____	Email: _____
CHECK ONE: Distributor <input type="checkbox"/> End User <input type="checkbox"/> OEM <input type="checkbox"/> Other <input type="checkbox"/>	Website: _____

### CYLINDER SPECIFICATIONS

<input type="checkbox"/> AIR CYLINDER - Indicate <u>Working Pressure</u> : _____	BORE Size: _____ STROKE Length: _____
<input type="checkbox"/> HYDRAULIC CYLINDER	MOUNTING STYLE: _____
If Hydraulic - Indicate <u>Working Pressure</u> : _____	PISTON ROD DIAMETER: _____
If Hydraulic - Indicate <u>Maximum Rated Pressure</u> : _____	PISTON ROD THREADS: Male <input type="checkbox"/> Female <input type="checkbox"/> Other <input type="checkbox"/>
If Hydraulic - Indicate <u>Fluid Type</u> : _____	(describe Piston Rod Threads): _____
(necessary because some Hydraulic Fluids destroy Seals)	Does the Cylinder have CUSHION(s)? Yes <input type="checkbox"/> No <input type="checkbox"/>
<input type="checkbox"/> OTHER - Describe: _____	If Yes: FRONT END CAP <input type="checkbox"/> REAR END CAP <input type="checkbox"/>

### What is the Work Being Performed?

Weight of Load moved: on Extend: _____ lbs. on Retract: _____ lbs. on BOTH Extend & Retract: _____ lbs.
Cylinder Cycle Rate: _____ Cycles per Minute _____ Cycles per Hour _____ Cycles per Day
Rod Speed: Extending _____ "/sec. Retracting _____ "/sec. How many days per week will this cylinder operate? _____

### What is the Cylinder Orientation?

Cylinder is Mounted: Vertically Rod Up Rod Down Angle Degrees: from Vertical _____ from Horizontal _____
Is Cylinder Piston Rod or Load Guided or Supported? Yes No (if Yes, explain) _____
Is Side Load Present? Yes No (if Yes, explain) _____ Side Load Weight: _____ lbs.

### What are the Environmental Conditions that the Cylinder is Subjected to?

What is the present Cylinder Type & Model Number if applicable? _____
Temperature at the Cylinder (if applicable) is _____ Degrees F. Is the temperature constant? Yes No
What is the variable temperature range (if applicable)? from: _____ Minimum Degrees F to _____ Maximum Degrees F.
Cylinder Environment conditions: Corrosive Chemicals present Abrasives present Water present Outdoors
Other (please explain): _____

### What is the Application or Special Requirements?

Are there any optional features applicable to this cylinder? Yes No If yes, please explain: _____
What industry is the cylinder used in? _____
What type of machine is the cylinder used on? _____
What is the present problem/failure mode? _____

Is a Cylinder ACCESSORY Required? (ex. a Rod Clevis) : No  Yes  (indicate the type of Accessory \_\_\_\_\_ & provide Dimensions on Page 10)

**Describe Application and/or Draw a Sketch of the Cylinder Within the Application.  
Draw any Special Features Contained on this Cylinder (attach drawing if necessary)**

\_\_\_\_\_