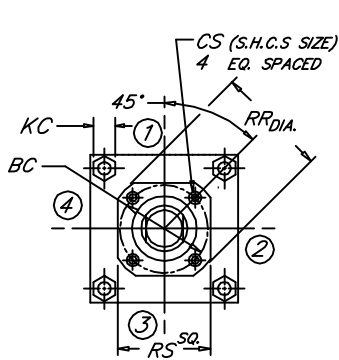
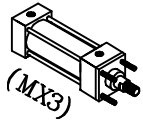


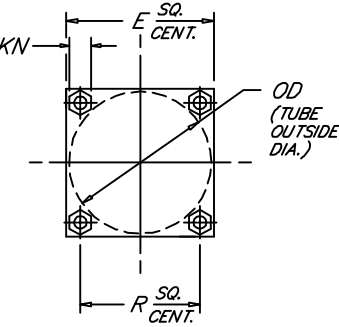
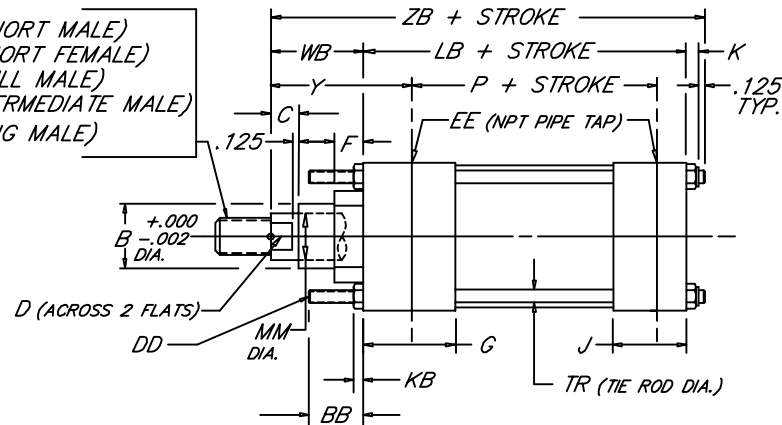
# HEAD TIE ROD EXTENDED

Peninsular Mounting Style: **MH 8**

Heavy Duty Steel Air Cylinder



- KM (SHORT MALE)
- KF (SHORT FEMALE)
- KD (FULL MALE)
- KI (INTERMEDIATE MALE)
- KA (LONG MALE)



BORE	ROD					ROD THREAD X LENGTH																			NPT									
	MM	KM & KF	KD	KI	KA	B	BB	BC	C	CS	D	DD	E	EE	F	G	J	K	KB	KC	KN	LB	OD	P	R	RR	RS	TR	WB	Y	ZB			
8.000	1.375	1"-14 x 1.625	1 3/8"-12 x 1.625	1 1/4"-12 x 1.625	1 1/4"-12 x 2.500	1.999		3.267	.625	.312	1.125															3.734	3.000	1.625	2.750	7.625				
	1.750	1 1/4"-12 x 2.000	1 3/4"-12 x 2.000	1 1/2"-12 x 2.000	1 1/2"-12 x 3.000	2.374		3.267	.750	.312	1.500															3.734	3.000	1.875	3.000	7.875				
	2.000	1 1/2"-12 x 2.250	2"-12 x 2.250	1 3/4"-12 x 2.250	1 3/4"-12 x 3.500	2.624		3.812	.875	.312	1.688															4.312	3.750	2.000	3.125	8.000				
	2.500	1 7/8"-12 x 3.000	2 1/2"-12 x 3.000	2 1/4"-12 x 3.000	2 1/4"-12 x 4.500	3.124		3.812	1.000	.312	2.062															4.312	3.750	2.250	3.375	8.250				
	3.000	2 1/4"-12 x 3.500	3"-12 x 3.500	3 3/4"-12 x 3.500	2 3/4"-12 x 5.500	3.749	2.312	4.700	1.000	.375	2.625															5.562	4.500	2.250	3.375	8.250				
	3.500	2 1/2"-12 x 3.500	3 1/2"-12 x 3.500	3 1/4"-12 x 3.500	3 1/4"-12 x 6.500	4.249		5.200	1.000	.375	3.000			5/8"-18	8.500	3/4	.625	2.000	1.500	.750	.531	.938	.938	5.125	8.450	3.375	6.435	6.062	5.000	2.250	3.375	8.250		
	4.000	3"-12 x 4.000	4"-12 x 4.000	3 3/4"-12 x 4.000	3 3/4"-12 x 7.500	4.749		5.700	1.000	.375	3.375															6.562	5.500	2.250	3.375	8.250				
	4.500	3 1/4"-12 x 4.500	4 1/2"-12 x 4.500	4 1/4"-12 x 4.500	4 1/4"-12 x 8.250	5.249		6.200	1.000	.375	3.875															7.062	6.000	2.250	3.375	8.250				
	5.000	3 1/2"-12 x 5.000	5"-12 x 5.000	4 3/4"-12 x 5.000	4 3/4"-12 x 9.000	5.749		6.700	1.000	.375	4.250															7.562	6.500	2.250	3.375	8.250				
5.500	4"-12 x 5.500	5 1/2"-12 x 5.500	5 1/4"-12 x 5.500	5 1/4"-12 x 10.000	6.249	7.125		1.000	.375	4.625																7.938	7.000	2.250	3.375	8.250				
10.000	1.750	1 1/4"-12 x 2.000	1 3/4"-12 x 2.000	1 1/2"-12 x 2.000	1 1/2"-12 x 3.000	2.374			3.812	.750	.312	1.500															4.312	3.750	1.875	3.062	9.250			
2.000	1 1/2"-12 x 2.250	2"-12 x 2.250	1 3/4"-12 x 2.250	1 3/4"-12 x 3.500	2.624			3.812	.875	.312	1.688																4.312	3.750	2.000	3.187	9.375			
2.500	1 7/8"-12 x 3.000	2 1/2"-12 x 3.000	2 1/4"-12 x 3.000	2 1/4"-12 x 4.500	3.124			3.812	1.000	.312	2.062																4.312	3.750	2.250	3.437	9.625			
3.000	2 1/4"-12 x 3.500	3"-12 x 3.500	3 3/4"-12 x 3.500	2 3/4"-12 x 5.500	3.749	2.688	4.700	1.000	.375	2.625																5.562	4.500	2.250	3.437	9.625				
3.500	2 1/2"-12 x 3.500	3 1/2"-12 x 3.500	3 1/4"-12 x 3.500	3 1/4"-12 x 6.500	4.249		5.200	1.000	.375	3.000			3/4"-16	10.625	1	.625	2.250	2.000	.875	.625	1.094	1.062	6.375	10.450	4.250	7.920	6.062	5.000	2.250	3.437	9.625			
4.000	3"-12 x 4.000	4"-12 x 4.000	3 3/4"-12 x 4.000	3 3/4"-12 x 7.500	4.749		5.700	1.000	.375	3.375																6.562	5.500	2.250	3.437	9.625				
4.500	3 1/4"-12 x 4.500	4 1/2"-12 x 4.500	4 1/4"-12 x 4.500	4 1/4"-12 x 8.250	5.249		6.200	1.000	.375	3.875																7.062	6.000	2.250	3.437	9.625				
5.000	3 1/2"-12 x 5.000	5"-12 x 5.000	4 3/4"-12 x 5.000	4 3/4"-12 x 9.000	5.749		6.700	1.000	.375	4.250																7.562	6.500	2.250	3.437	9.625				
5.500	4"-12 x 5.500	5 1/2"-12 x 5.500	5 1/4"-12 x 5.500	5 1/4"-12 x 10.000	6.249		7.125	1.000	.375	4.625																7.938	7.000	2.250	3.437	9.625				
12.000	2.000	1 1/2"-12 x 2.250	2"-12 x 2.250	1 3/4"-12 x 2.250	1 3/4"-12 x 3.500		2.624		3.812	.875	.312	1.688															4.312	3.750	2.000	3.187	9.875			
2.500	1 7/8"-12 x 3.000	2 1/2"-12 x 3.000	2 1/4"-12 x 3.000	2 1/4"-12 x 4.500	3.124			3.812	1.000	.312	2.062																4.312	3.750	2.250	3.437	10.125			
3.000	2 1/4"-12 x 3.500	3"-12 x 3.500	3 3/4"-12 x 3.500	2 3/4"-12 x 5.500	3.749		2.688	4.700	1.000	.375	2.625																5.562	4.500	2.250	3.437	10.125			
3.500	2 1/2"-12 x 3.500	3 1/2"-12 x 3.500	3 1/4"-12 x 3.500	3 1/4"-12 x 6.500	4.249	5.200		1.000	.375	3.000			3/4"-16	12.750	1	.625	2.250	2.000	.875	.625	1.094	1.062	6.875	12.450	4.750	9.405	6.062	5.000	2.250	3.437	10.125			
4.000	3"-12 x 4.000	4"-12 x 4.000	3 3/4"-12 x 4.000	3 3/4"-12 x 7.500	4.749	5.700		1.000	.375	3.375																6.562	5.500	2.250	3.437	10.125				
4.500	3 1/4"-12 x 4.500	4 1/2"-12 x 4.500	4 1/4"-12 x 4.500	4 1/4"-12 x 8.250	5.249	6.200		1.000	.375	3.875																7.062	6.000	2.250	3.437	10.125				
5.000	3 1/2"-12 x 5.000	5"-12 x 5.000	4 3/4"-12 x 5.000	4 3/4"-12 x 9.000	5.749	6.700		1.000	.375	4.250																7.562	6.500	2.250	3.437	10.125				
5.500	4"-12 x 5.500	5 1/2"-12 x 5.500	5 1/4"-12 x 5.500	5 1/4"-12 x 10.000	6.249	7.125		1.000	.375	4.625																7.938	7.000	2.250	3.437	10.125				
14.000	2.500	1 7/8"-12 x 3.000	2 1/2"-12 x 3.000	2 1/4"-12 x 3.000	2 1/4"-12 x 4.500	3.124			3.812		.312	2.062															4.312	3.750						
3.000	2 1/4"-12 x 3.500	3"-12 x 3.500	3 3/4"-12 x 3.500	2 3/4"-12 x 5.500	3.749	3.188		4.700		.375	2.625																5.562	4.500						
3.500	2 1/2"-12 x 3.500	3 1/2"-12 x 3.500	3 1/4"-12 x 3.500	3 1/4"-12 x 6.500	4.249			5.200		.375	3.000																6.062	5.000						
4.000	3"-12 x 4.000	4"-12 x 4.000	3 3/4"-12 x 4.000	3 3/4"-12 x 7.500	4.749		5.700	1.000	.375	3.375			7/8"-14	14.750	1 1/4	.625	2.750	2.250	1.000	.750	1.281	1.250	8.125	14.450	5.625	10.889	6.562	5.500	.875	2.250	3.688	11.500		
4.500	3 1/4"-12 x 4.500	4 1/2"-12 x 4.500	4 1/4"-12 x 4.500	4 1/4"-12 x 8.250	5.249		6.200		.375	3.875																7.062	6.000							
5.000	3 1/2"-12 x 5.000	5"-12 x 5.000	4 3/4"-12 x 5.000	4 3/4"-12 x 9.000	5.749		6.700		.375	4.250																7.562	6.500							
5.500	4"-12 x 5.500	5 1/2"-12 x 5.500	5 1/4"-12 x 5.500	5 1/4"-12 x 10.000	6.249		7.125		.375	4.625																7.938	7.000							

NFPA DESIGN

FILE: MH8L2.dwg REV: 09-25-06