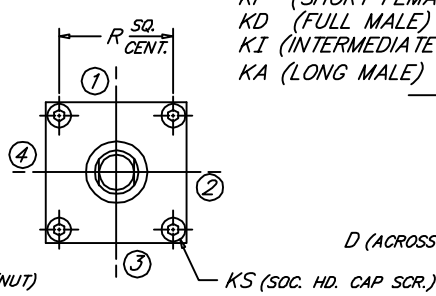
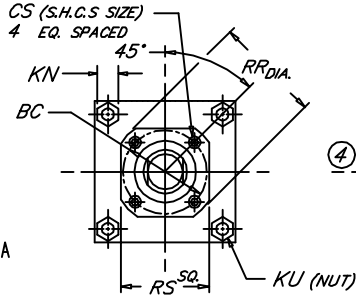
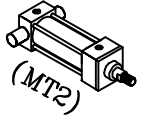


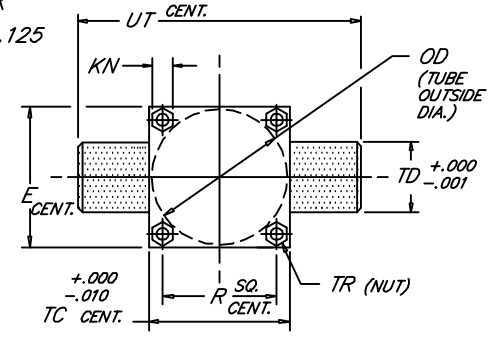
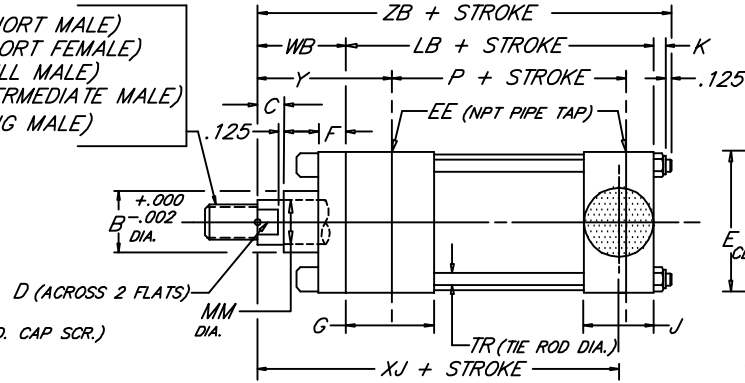
CAP TRUNNION

Heavy Duty Steel Air Cylinder

Peninsular Mounting Style: **MH 7**



KM (SHORT MALE)
KF (SHORT FEMALE)
KD (SHORT MALE)
KI (INTERMEDIATE MALE)
KA (LONG MALE)



1.16

BORE	ROD					ROD THREAD X LENGTH																	NPT											
	MM	KM & KF	KD	KI	KA	B	BC	C	CS	D	E	EE	F	G	J	K	KN	KS	KU	LB	OD	P	R	RR	RS	TC	TD	TR	UT	WB	Y	XJ	ZB	
1.500	.625	7/16"-20 x .750	5/8"-18 x .750	1/2"-20 x .750	1/2"-20 x 1.125	1.124	---	.375	---	.500	2.000	3/8	.375	1.500	1.000	.312	.438	.250	---	3.625	1.750	2.335	1.428	---	---	2.000	1.000	.250	4.000	1.000	1.875	4.125	5.062	5.437
	1.000	3/4"-16 x 1.125	1"-14 x 1.125	7/8"-14 x 1.125	7/8"-14 x 1.875	1.499	---	.500	---	.875	2.500	3/8	.375	1.500	1.000	.344	.500	.312	---	3.625	2.250	2.335	1.838	---	---	2.500	1.000	.312	4.500	1.000	1.875	4.125	5.094	5.469
2.000	.625	7/16"-20 x .750	5/8"-18 x .750	1/2"-20 x .750	1/2"-20 x 1.125	1.124	---	.375	---	.500	2.500	3/8	.375	1.500	1.000	.344	.500	.312	---	3.625	2.250	2.335	1.838	---	---	2.500	1.000	.312	4.500	1.000	1.875	4.125	5.094	5.469
	1.000	3/4"-16 x 1.125	1"-14 x 1.125	7/8"-14 x 1.125	7/8"-14 x 1.875	1.499	---	.500	---	.875	3.000	3/8	.375	1.500	1.000	.344	.500	.312	---	3.750	2.750	2.460	2.192	---	---	3.000	1.000	.312	5.000	1.375	2.250	4.625	5.594	5.844
2.500	.625	7/16"-20 x .750	5/8"-18 x .750	1/2"-20 x .750	1/2"-20 x 1.125	1.124	---	.375	---	.500	3.000	3/8	.375	1.500	1.000	.344	.500	.312	---	3.750	2.750	2.460	2.192	---	---	3.000	1.000	.312	5.000	1.375	2.250	4.625	5.594	5.844
	1.000	3/4"-16 x 1.125	1"-14 x 1.125	7/8"-14 x 1.125	7/8"-14 x 1.875	1.499	---	.500	---	.875	3.000	3/8	.375	1.500	1.000	.344	.500	.312	---	3.750	2.750	2.460	2.192	---	---	3.000	1.000	.312	5.000	1.375	2.250	4.625	5.594	5.844
3.250	.625	7/16"-20 x .750	5/8"-18 x .750	1/2"-20 x .750	1/2"-20 x 1.125	1.124	---	.375	---	.500	3.000	3/8	.375	1.500	1.000	.344	.500	.312	---	3.750	2.750	2.460	2.192	---	---	3.000	1.000	.312	5.000	1.375	2.250	4.625	5.594	5.844
	1.000	3/4"-16 x 1.125	1"-14 x 1.125	7/8"-14 x 1.125	7/8"-14 x 1.875	1.499	---	.500	---	.875	3.000	3/8	.375	1.500	1.000	.344	.500	.312	---	3.750	2.750	2.460	2.192	---	---	3.000	1.000	.312	5.000	1.375	2.250	4.625	5.594	5.844
4.000	.625	7/16"-20 x .750	5/8"-18 x .750	1/2"-20 x .750	1/2"-20 x 1.125	1.124	---	.375	---	.500	3.000	3/8	.375	1.500	1.000	.344	.500	.312	---	3.750	2.750	2.460	2.192	---	---	3.000	1.000	.312	5.000	1.375	2.250	4.625	5.594	5.844
	1.000	3/4"-16 x 1.125	1"-14 x 1.125	7/8"-14 x 1.125	7/8"-14 x 1.875	1.499	2.562	.500	.250	.875	3.000	3/8	.375	1.500	1.000	.344	.500	.312	---	3.750	2.750	2.460	2.192	---	---	3.000	1.000	.312	5.000	1.375	2.250	4.625	5.594	5.844
5.000	.625	7/16"-20 x .750	5/8"-18 x .750	1/2"-20 x .750	1/2"-20 x 1.125	1.124	---	.375	---	.500	3.000	3/8	.375	1.500	1.000	.344	.500	.312	---	3.750	2.750	2.460	2.192	---	---	3.000	1.000	.312	5.000	1.375	2.250	4.625	5.594	5.844
	1.000	3/4"-16 x 1.125	1"-14 x 1.125	7/8"-14 x 1.125	7/8"-14 x 1.875	1.499	2.562	.500	.250	.875	3.000	3/8	.375	1.500	1.000	.344	.500	.312	---	3.750	2.750	2.460	2.192	---	---	3.000	1.000	.312	5.000	1.375	2.250	4.625	5.594	5.844
6.000	.625	7/16"-20 x .750	5/8"-18 x .750	1/2"-20 x .750	1/2"-20 x 1.125	1.124	---	.375	---	.500	3.000	3/8	.375	1.500	1.000	.344	.500	.312	---	3.750	2.750	2.460	2.192	---	---	3.000	1.000	.312	5.000	1.375	2.250	4.625	5.594	5.844
	1.000	3/4"-16 x 1.125	1"-14 x 1.125	7/8"-14 x 1.125	7/8"-14 x 1.875	1.499	2.562	.500	.250	.875	3.000	3/8	.375	1.500	1.000	.344	.500	.312	---	3.750	2.750	2.460	2.192	---	---	3.000	1.000	.312	5.000	1.375	2.250	4.625	5.594	5.844

NEVA DESIGN

FILE: MH7S2.dwg REV: 09-25-06