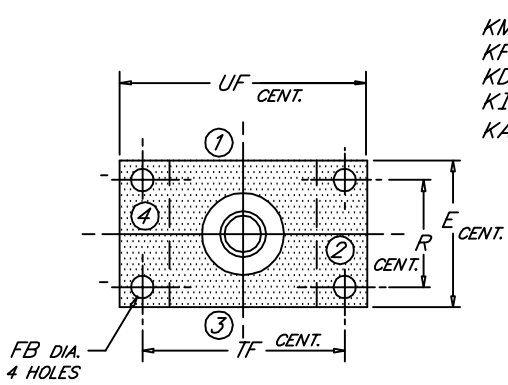
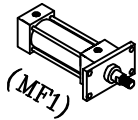


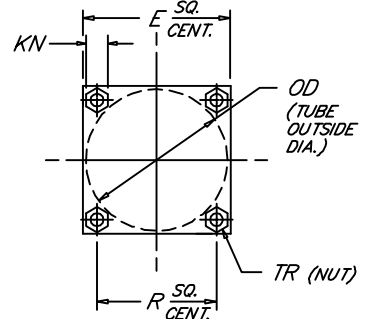
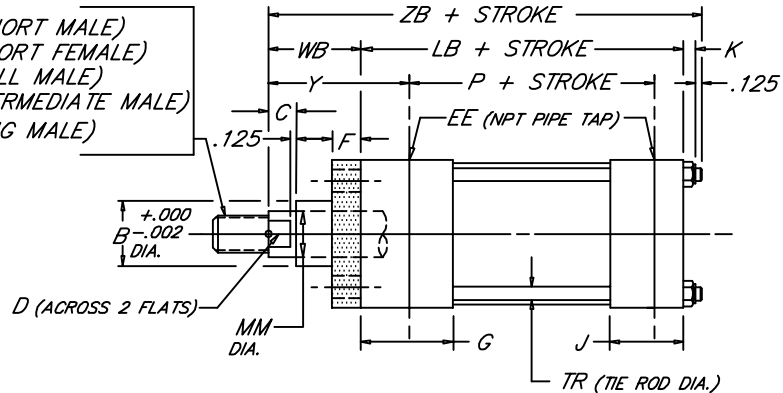
HEAD RECTANGULAR FLANGE

Peninsular Mounting Style: **MH 4**

Heavy Duty Steel Air Cylinder



KM (SHORT MALE)
 KF (SHORT FEMALE)
 KD (FULL MALE)
 KI (INTERMEDIATE MALE)
 KA (LONG MALE)



1.13

BORE	ROD					ROD THREAD X LENGTH																	NPT					
	MM	KM & KF	KD	KI	KA	B	C	D	E	EE	F	FB	G	J	K	KN	LB	OD	P	R	TF	TR	UF	WB	Y	ZB		
1.500	.625	7/16"-20 x .750	5/8"-18 x .750	1/2"-20 x .750	1/2"-20 x 1.125	1.124	.375	.500																				
	1.000	3/4"-16 x 1.125	1"-14 x 1.125	7/8"-14 x 1.125	7/8"-14 x 1.875	1.499	.500	.875	2.000	3/8	.375	.312	1.500	1.000	.312	.438	3.625	1.750	2.335	1.428	2.750	.250	3.375	1.000	1.875	5.062		
	1.375	1"-14 x 1.625	3/8"-12 x 2.000	1 1/4"-12 x 2.500	1 1/4"-12 x 3.000	1.999	.625	1.125	2.500	3/8	.375	.375	1.500	1.000	.344	.500	3.625	2.250	2.335	1.838	3.375	.312	4.125	1.000	1.875	5.094		
2.000	.625	7/16"-20 x .750	5/8"-18 x .750	1/2"-20 x .750	1/2"-20 x 1.125	1.124	.375	.500																				
	1.000	3/4"-16 x 1.125	1"-14 x 1.125	7/8"-14 x 1.125	7/8"-14 x 1.875	1.499	.500	.875	2.500	3/8	.375	.375	1.500	1.000	.344	.500	3.625	2.250	2.335	1.838	3.375	.312	4.125	1.000	1.875	5.469		
	1.375	1"-14 x 1.625	3/8"-12 x 2.000	1 1/4"-12 x 2.500	1 1/4"-12 x 3.000	1.999	.625	1.125	2.500	3/8	.375	.375	1.500	1.000	.344	.500	3.625	2.250	2.335	1.838	3.375	.312	4.125	1.000	1.875	5.719		
2.500	.625	7/16"-20 x .750	5/8"-18 x .750	1/2"-20 x .750	1/2"-20 x 1.125	1.124	.375	.500																				
	1.000	3/4"-16 x 1.125	1"-14 x 1.125	7/8"-14 x 1.125	7/8"-14 x 1.875	1.499	.500	.875	3.000	3/8	.375	.375	1.500	1.000	.344	.500	3.750	2.750	2.460	2.192	3.875	.312	4.625	1.000	1.875	5.219		
	1.375	1"-14 x 1.625	3/8"-12 x 2.000	1 1/4"-12 x 2.500	1 1/4"-12 x 3.000	1.999	.625	1.125	3.000	3/8	.375	.375	1.500	1.000	.344	.500	3.750	2.750	2.460	2.192	3.875	.312	4.625	1.000	1.875	5.844		
3.250	1.000	3/4"-16 x 1.125	1"-14 x 1.125	7/8"-14 x 1.125	7/8"-14 x 1.875	1.499	.500	.875																				
	1.375	1"-14 x 1.625	3/8"-12 x 2.000	1 1/4"-12 x 2.500	1 1/4"-12 x 3.000	1.999	.625	1.125	3.750	1/2	.625	.438	1.750	1.250	.438	.562	4.250	3.500	2.750	2.758	4.688	.375	5.500	1.375	2.375	6.188		
	1.750	1 1/4"-12 x 2.000	3/4"-12 x 2.000	1 1/2"-12 x 2.000	1 1/2"-12 x 3.000	2.374	.750	1.500	3.750	1/2	.625	.438	1.750	1.250	.438	.562	4.250	3.500	2.750	2.758	4.688	.375	5.500	1.375	2.375	6.438		
4.000	2.000	1 1/2"-12 x 2.250	2"-12 x 2.250	3/4"-12 x 2.250	1 3/4"-12 x 3.500	2.624	.875	1.688																				
	2.500	1 7/8"-12 x 3.000	2 1/2"-12 x 3.000	2 1/4"-12 x 3.000	2 1/4"-12 x 4.500	3.124	1.000	2.062																				
	2.000	1 1/2"-12 x 2.250	2"-12 x 2.250	3/4"-12 x 2.250	1 3/4"-12 x 3.500	2.624	.875	1.688																				
5.000	1.000	3/4"-16 x 1.125	1"-14 x 1.125	7/8"-14 x 1.125	7/8"-14 x 1.875	1.499	.500	.875																				
	1.375	1"-14 x 1.625	3/8"-12 x 2.000	1 1/4"-12 x 2.500	1 1/4"-12 x 3.000	1.999	.625	1.125																				
	1.750	1 1/4"-12 x 2.000	3/4"-12 x 2.000	1 1/2"-12 x 2.000	1 1/2"-12 x 3.000	2.374	.750	1.500																				
6.000	2.000	1 1/2"-12 x 2.250	2"-12 x 2.250	3/4"-12 x 2.250	1 3/4"-12 x 3.500	2.624	.875	1.688																				
	2.500	1 7/8"-12 x 3.000	2 1/2"-12 x 3.000	2 1/4"-12 x 3.000	2 1/4"-12 x 4.500	3.124	1.000	2.062																				
	3.000	2 1/4"-12 x 3.500	3"-12 x 3.500	2 3/4"-12 x 3.500	2 3/4"-12 x 5.500	3.749	1.000	2.625																				
6.000	3.500	2 1/2"-12 x 3.500	3 1/2"-12 x 3.500	3 1/4"-12 x 3.500	3 1/4"-12 x 6.500	4.249	1.000	3.000																				
	1.375	1"-14 x 1.625	3/8"-12 x 2.000	1 1/4"-12 x 2.500	1 1/4"-12 x 3.000	1.999	.625	1.125																				
	1.750	1 1/4"-12 x 2.000	3/4"-12 x 2.000	1 1/2"-12 x 2.000	1 1/2"-12 x 3.000	2.374	.750	1.500																				
6.000	2.000	1 1/2"-12 x 2.250	2"-12 x 2.250	3/4"-12 x 2.250	1 3/4"-12 x 3.500	2.624	.875	1.688																				
	2.500	1 7/8"-12 x 3.000	2 1/2"-12 x 3.000	2 1/4"-12 x 3.000	2 1/4"-12 x 4.500	3.124	1.000	2.062																				
	3.000	2 1/4"-12 x 3.500	3"-12 x 3.500	2 3/4"-12 x 3.500	2 3/4"-12 x 5.500	3.749	1.000	2.625																				
6.000	3.500	2 1/2"-12 x 3.500	3 1/2"-12 x 3.500	3 1/4"-12 x 3.500	3 1/4"-12 x 6.500	4.249	1.000	3.000																				
	4.000	3"-12 x 4.000	4"-12 x 4.000	3 3/4"-12 x 4.000	3 3/4"-12 x 7.500	4.749	1.000	3.375																				

NEVA DESIGN

FILE: MH4S2.dwg REV: 09-25-06