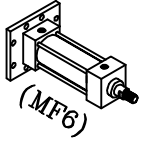


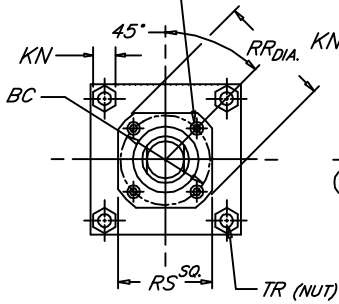
CAP SQUARE FLANGE

Peninsular Mounting Style: **MH 18**

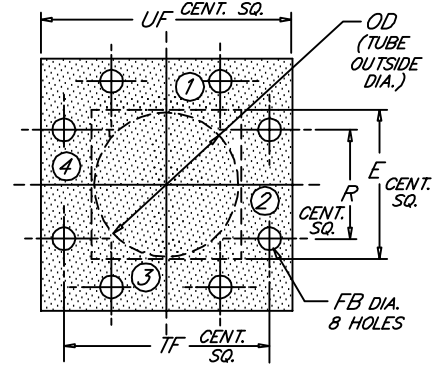
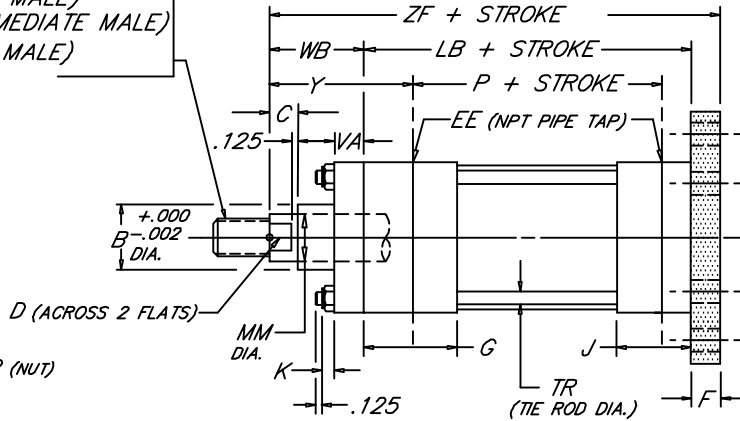
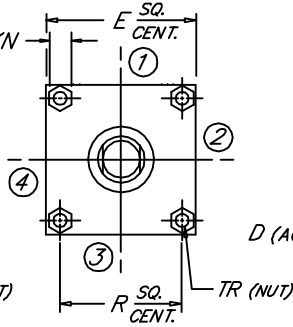
Heavy Duty Steel Air Cylinder



CS (S.H.C.S SIZE)
4 EQ. SPACED



KM (SHORT MALE)
KF (SHORT FEMALE)
KD (FULL MALE)
KI (INTERMEDIATE MALE)
KA (LONG MALE)



1.25

BORE	ROD					ROD THREAD X LENGTH																	NPT									
	MM	KM & KF	KD	KI	KA	B	BC	C	CS	D	E	EE	F	FB	G	J	K	KN	LB	OD	P	R	RR	RS	TF	TR	UF	VA	WB	Y	ZF	
1.500	.625	7/16"-20 x .750	5/8"-18 x .750	1/2"-20 x .750	1/2"-20 x 1.125	1.124	---	.375	---	.500	2.000	3/8	.375	.312	1.500	1.000	.312	.438	3.625	1.750	2.335	1.428	---	---	2.750	.250	3.375	.375	1.000	1.875	5.000	
	1.000	3/4"-16 x 1.125	1"-14 x 1.125	7/8"-14 x 1.125	7/8"-14 x 1.875	1.499	---	.500	---	.875	2.500	3/8	.375	.375	1.500	1.000	.344	.500	3.625	2.250	2.335	1.838	---	---	3.375	.312	4.125	.375	1.000	1.875	5.000	
2.000	.625	7/16"-20 x .750	5/8"-18 x .750	1/2"-20 x .750	1/2"-20 x 1.125	1.124	---	.375	---	.500	2.500	3/8	.375	.375	1.500	1.000	.344	.500	3.625	2.250	2.335	1.838	---	---	3.375	.312	4.125	.375	1.000	1.875	5.000	
	1.000	3/4"-16 x 1.125	1"-14 x 1.125	7/8"-14 x 1.125	7/8"-14 x 1.875	1.499	---	.500	---	.875	3.000	3/8	.375	.375	1.500	1.000	.344	.500	3.625	2.750	2.460	2.192	---	---	3.875	.312	4.625	.375	1.375	2.250	5.625	
2.500	.625	7/16"-20 x .750	5/8"-18 x .750	1/2"-20 x .750	1/2"-20 x 1.125	1.124	---	.375	---	.500	3.000	3/8	.375	.375	1.500	1.000	.344	.500	3.750	2.750	2.460	2.192	---	---	3.875	.312	4.625	.375	1.000	1.875	5.125	
	1.000	3/4"-16 x 1.125	1"-14 x 1.125	7/8"-14 x 1.125	7/8"-14 x 1.875	1.499	---	.500	---	.875	3.000	3/8	.375	.375	1.500	1.000	.344	.500	3.750	2.750	2.460	2.192	---	---	3.875	.312	4.625	.375	1.375	2.250	5.500	
3.250	1.375	1"-14 x 1.625	3/8"-12 x 1.625	1/4"-12 x 1.625	1/4"-12 x 2.500	1.999	---	.625	---	1.125	3.750	1/2	.625	.438	1.750	1.250	.438	.562	4.250	3.500	2.750	2.758	---	---	4.688	.375	5.500	.625	1.625	2.625	6.500	
	1.750	1 1/4"-12 x 2.000	3/4"-12 x 2.000	1 1/2"-12 x 2.000	1 1/2"-12 x 3.000	2.374	---	.750	---	1.500	4.500	1/2	.625	.438	1.750	1.250	.438	.562	4.250	3.500	2.750	2.758	---	---	4.688	.375	5.500	.625	1.875	2.875	6.750	
4.000	2.000	1 1/2"-12 x 2.250	2"-12 x 2.250	3/4"-12 x 2.250	3/4"-12 x 3.500	2.624	---	.875	---	1.688	4.500	1/2	.625	.438	1.750	1.250	.438	.562	4.250	3.500	2.750	3.323	3.734	3.000	5.438	.375	6.250	.625	2.000	3.000	6.875	
	2.500	1 1/2"-12 x 2.250	2"-12 x 2.250	3/4"-12 x 2.250	3/4"-12 x 3.500	2.624	---	.875	---	1.688	4.500	1/2	.625	.438	1.750	1.250	.438	.562	4.250	3.500	2.750	3.323	3.734	3.000	5.438	.375	6.250	.625	2.250	3.250	7.125	
5.000	1.000	3/4"-16 x 1.125	1"-14 x 1.125	7/8"-14 x 1.125	7/8"-14 x 1.875	1.499	2.562	.500	.250	.875	4.500	1/2	.625	.438	1.750	1.250	.438	.562	4.250	3.500	2.750	3.323	3.734	3.000	5.438	.375	6.250	.625	1.375	2.375	6.250	
	1.375	1"-14 x 1.625	3/8"-12 x 1.625	1/4"-12 x 1.625	1/4"-12 x 2.500	1.999	2.562	.625	.250	1.125	4.500	1/2	.625	.438	1.750	1.250	.438	.562	4.250	3.500	2.750	3.323	3.734	3.000	5.438	.375	6.250	.625	1.625	2.625	6.500	
5.000	1.750	1 1/4"-12 x 2.000	3/4"-12 x 2.000	1 1/2"-12 x 2.000	1 1/2"-12 x 3.000	2.374	2.562	.750	.312	1.500	4.500	1/2	.625	.438	1.750	1.250	.438	.562	4.250	3.500	2.750	3.323	3.734	3.000	5.438	.375	6.250	.625	1.875	2.875	7.000	
	2.000	1 1/2"-12 x 2.250	2"-12 x 2.250	3/4"-12 x 2.250	3/4"-12 x 3.500	2.624	2.562	.875	.312	1.688	4.500	1/2	.625	.438	1.750	1.250	.438	.562	4.250	3.500	2.750	3.323	3.734	3.000	5.438	.375	6.250	.625	2.000	3.000	7.125	
5.000	2.500	1 7/8"-12 x 3.000	2 1/2"-12 x 3.000	2 1/4"-12 x 3.000	2 1/4"-12 x 4.500	3.124	2.562	1.000	.312	2.062	4.500	1/2	.625	.438	1.750	1.250	.438	.562	4.250	3.500	2.750	3.323	3.734	3.000	5.438	.375	6.250	.625	2.250	3.250	7.375	
	3.000	2 1/4"-12 x 3.500	3"-12 x 3.500	2 3/4"-12 x 3.500	2 3/4"-12 x 5.000	3.749	2.562	1.000	.312	2.062	4.500	1/2	.625	.438	1.750	1.250	.438	.562	4.250	3.500	2.750	3.323	3.734	3.000	5.438	.375	6.250	.625	2.500	3.500	7.375	
6.000	3.500	2 1/2"-12 x 3.500	3 1/2"-12 x 3.500	3 1/4"-12 x 3.500	3 1/4"-12 x 5.000	4.249	2.562	1.000	.312	3.000	4.500	1/2	.625	.438	1.750	1.250	.438	.562	4.250	3.500	2.750	3.323	3.734	3.000	5.438	.375	6.250	.625	2.250	3.250	7.375	
	4.000	3"-12 x 4.000	4"-12 x 4.000	3 3/4"-12 x 4.000	3 3/4"-12 x 7.500	4.749	2.562	1.000	.312	3.375	4.500	1/2	.625	.438	1.750	1.250	.438	.562	4.250	3.500	2.750	3.323	3.734	3.000	5.438	.375	6.250	.625	2.500	3.500	7.375	

NPT REGION

FILE: MH18S2.dwg REV: 09-25-06