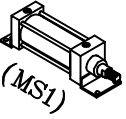


# END ANGLES

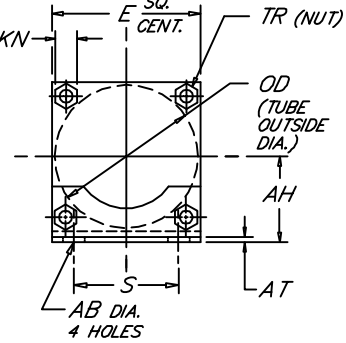
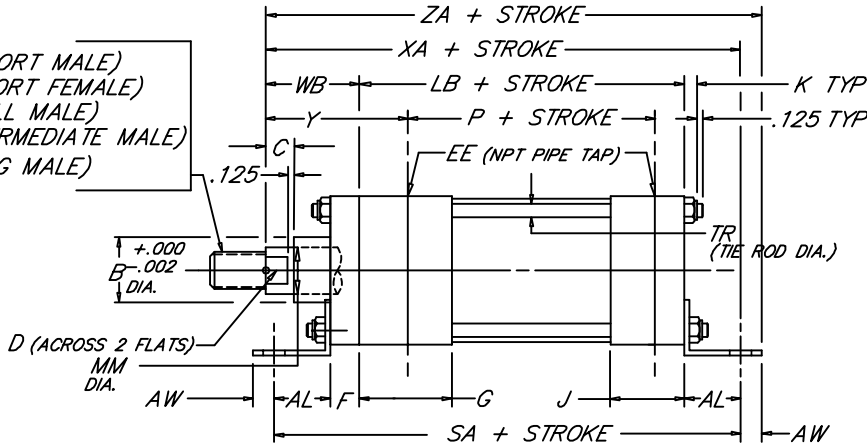
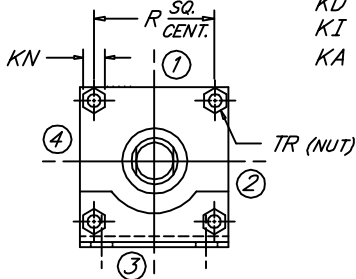
Peninsular Mounting Style:

# MH 13

Heavy Duty Steel Air Cylinder



KM (SHORT MALE)  
 KF (SHORT FEMALE)  
 KD (FULL MALE)  
 KI (INTERMEDIATE MALE)  
 KA (LONG MALE)



1.20

| BORE  | ROD   |                   |                   |                   |                   | ROD THREAD X LENGTH |       |       |      |      |   |       |       |      |    |   |   |   |   |    |    |    |   |   |   | NPT |    |    |    |   |    |  |  |  |  |  |  |  |
|-------|-------|-------------------|-------------------|-------------------|-------------------|---------------------|-------|-------|------|------|---|-------|-------|------|----|---|---|---|---|----|----|----|---|---|---|-----|----|----|----|---|----|--|--|--|--|--|--|--|
|       | MM    | KM & KF           | KD                | KI                | KA                | AB                  | AH    | AL    | AT   | AW   | B | C     | D     | E    | EE | F | G | J | K | KN | LB | OD | P | R | S | SA  | TR | WB | XA | Y | ZA |  |  |  |  |  |  |  |
| 1.500 | .625  | 7/16"-20 x .750   | 5/8"-18 x .750    | 1/2"-20 x .750    | 1/2"-20 x 1.125   |                     |       |       |      |      |   | .375  | .500  |      |    |   |   |   |   |    |    |    |   |   |   |     |    |    |    |   |    |  |  |  |  |  |  |  |
|       | 1.000 | 3/4"-16 x 1.125   | 1"-14 x 1.125     | 7/8"-14 x 1.125   | 7/8"-14 x 1.875   | .438                | 1.188 | 1.000 | .125 | .375 |   | 1.124 | .375  | .500 |    |   |   |   |   |    |    |    |   |   |   |     |    |    |    |   |    |  |  |  |  |  |  |  |
|       | 1.375 | 1"-14 x 1.625     | 1 3/8"-12 x 1.625 | 1 1/4"-12 x 1.625 | 1 1/4"-12 x 2.500 |                     |       |       |      |      |   | 1.124 | .375  | .500 |    |   |   |   |   |    |    |    |   |   |   |     |    |    |    |   |    |  |  |  |  |  |  |  |
| 2.000 | .625  | 7/16"-20 x .750   | 5/8"-18 x .750    | 1/2"-20 x .750    | 1/2"-20 x 1.125   |                     |       |       |      |      |   | .375  | .500  |      |    |   |   |   |   |    |    |    |   |   |   |     |    |    |    |   |    |  |  |  |  |  |  |  |
|       | 1.000 | 3/4"-16 x 1.125   | 1"-14 x 1.125     | 7/8"-14 x 1.125   | 7/8"-14 x 1.875   | .438                | 1.438 | 1.000 | .125 | .375 |   | 1.124 | .375  | .500 |    |   |   |   |   |    |    |    |   |   |   |     |    |    |    |   |    |  |  |  |  |  |  |  |
|       | 1.375 | 1"-14 x 1.625     | 1 3/8"-12 x 1.625 | 1 1/4"-12 x 1.625 | 1 1/4"-12 x 2.500 |                     |       |       |      |      |   | 1.124 | .375  | .500 |    |   |   |   |   |    |    |    |   |   |   |     |    |    |    |   |    |  |  |  |  |  |  |  |
| 2.500 | .625  | 7/16"-20 x .750   | 5/8"-18 x .750    | 1/2"-20 x .750    | 1/2"-20 x 1.125   |                     |       |       |      |      |   | .375  | .500  |      |    |   |   |   |   |    |    |    |   |   |   |     |    |    |    |   |    |  |  |  |  |  |  |  |
|       | 1.000 | 3/4"-16 x 1.125   | 1"-14 x 1.125     | 7/8"-14 x 1.125   | 7/8"-14 x 1.875   | .438                | 1.625 | 1.000 | .125 | .375 |   | 1.124 | .375  | .500 |    |   |   |   |   |    |    |    |   |   |   |     |    |    |    |   |    |  |  |  |  |  |  |  |
|       | 1.375 | 1"-14 x 1.625     | 1 3/8"-12 x 1.625 | 1 1/4"-12 x 1.625 | 1 1/4"-12 x 2.500 |                     |       |       |      |      |   | 1.124 | .375  | .500 |    |   |   |   |   |    |    |    |   |   |   |     |    |    |    |   |    |  |  |  |  |  |  |  |
| 3.250 | 1.000 | 3/4"-16 x 1.125   | 1"-14 x 1.125     | 7/8"-14 x 1.125   | 7/8"-14 x 1.875   |                     |       |       |      |      |   | .500  | .875  |      |    |   |   |   |   |    |    |    |   |   |   |     |    |    |    |   |    |  |  |  |  |  |  |  |
|       | 1.375 | 1"-14 x 1.625     | 1 3/8"-12 x 1.625 | 1 1/4"-12 x 1.625 | 1 1/4"-12 x 2.500 | .562                | 1.938 | 1.250 | .125 | .500 |   | 1.124 | .375  | .500 |    |   |   |   |   |    |    |    |   |   |   |     |    |    |    |   |    |  |  |  |  |  |  |  |
|       | 1.750 | 1 1/4"-12 x 2.000 | 1 3/4"-12 x 2.000 | 1 1/2"-12 x 2.000 | 1 1/2"-12 x 3.000 |                     |       |       |      |      |   | 1.124 | .375  | .500 |    |   |   |   |   |    |    |    |   |   |   |     |    |    |    |   |    |  |  |  |  |  |  |  |
| 4.000 | 1.000 | 3/4"-16 x 1.125   | 1"-14 x 1.125     | 7/8"-14 x 1.125   | 7/8"-14 x 1.875   |                     |       |       |      |      |   | .500  | .875  |      |    |   |   |   |   |    |    |    |   |   |   |     |    |    |    |   |    |  |  |  |  |  |  |  |
|       | 1.375 | 1"-14 x 1.625     | 1 3/8"-12 x 1.625 | 1 1/4"-12 x 1.625 | 1 1/4"-12 x 2.500 | .562                | 2.250 | 1.250 | .125 | .500 |   | 1.124 | .375  | .500 |    |   |   |   |   |    |    |    |   |   |   |     |    |    |    |   |    |  |  |  |  |  |  |  |
|       | 1.750 | 1 1/4"-12 x 2.000 | 1 3/4"-12 x 2.000 | 1 1/2"-12 x 2.000 | 1 1/2"-12 x 3.000 |                     |       |       |      |      |   | 1.124 | .375  | .500 |    |   |   |   |   |    |    |    |   |   |   |     |    |    |    |   |    |  |  |  |  |  |  |  |
| 5.000 | 1.000 | 3/4"-16 x 1.125   | 1"-14 x 1.125     | 7/8"-14 x 1.125   | 7/8"-14 x 1.875   |                     |       |       |      |      |   | .500  | .875  |      |    |   |   |   |   |    |    |    |   |   |   |     |    |    |    |   |    |  |  |  |  |  |  |  |
|       | 1.375 | 1"-14 x 1.625     | 1 3/8"-12 x 1.625 | 1 1/4"-12 x 1.625 | 1 1/4"-12 x 2.500 | .688                | 2.750 | 1.375 | .188 | .625 |   | 1.124 | .375  | .500 |    |   |   |   |   |    |    |    |   |   |   |     |    |    |    |   |    |  |  |  |  |  |  |  |
|       | 1.750 | 1 1/4"-12 x 2.000 | 1 3/4"-12 x 2.000 | 1 1/2"-12 x 2.000 | 1 1/2"-12 x 3.000 |                     |       |       |      |      |   | 1.124 | .375  | .500 |    |   |   |   |   |    |    |    |   |   |   |     |    |    |    |   |    |  |  |  |  |  |  |  |
| 6.000 | 1.375 | 1"-14 x 1.625     | 1 3/8"-12 x 1.625 | 1 1/4"-12 x 1.625 | 1 1/4"-12 x 2.500 |                     |       |       |      |      |   | .625  | 1.125 |      |    |   |   |   |   |    |    |    |   |   |   |     |    |    |    |   |    |  |  |  |  |  |  |  |
|       | 1.750 | 1 1/4"-12 x 2.000 | 1 3/4"-12 x 2.000 | 1 1/2"-12 x 2.000 | 1 1/2"-12 x 3.000 | .812                | 3.250 | 1.375 | .188 | .625 |   | 1.124 | .375  | .500 |    |   |   |   |   |    |    |    |   |   |   |     |    |    |    |   |    |  |  |  |  |  |  |  |
|       | 2.000 | 1 1/2"-12 x 2.250 | 2"-12 x 2.250     | 1 3/4"-12 x 2.250 | 1 3/4"-12 x 3.500 |                     |       |       |      |      |   | 1.124 | .375  | .500 |    |   |   |   |   |    |    |    |   |   |   |     |    |    |    |   |    |  |  |  |  |  |  |  |

FILE: MH13S2.dwg REV: 09-25-06