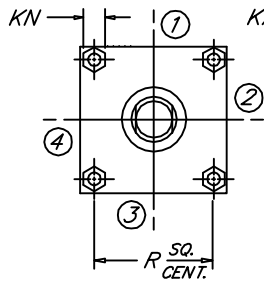
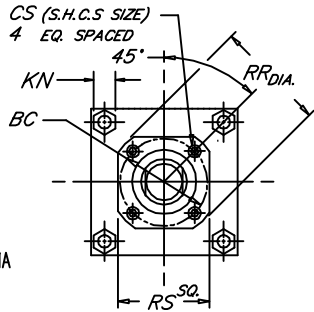
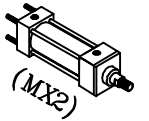


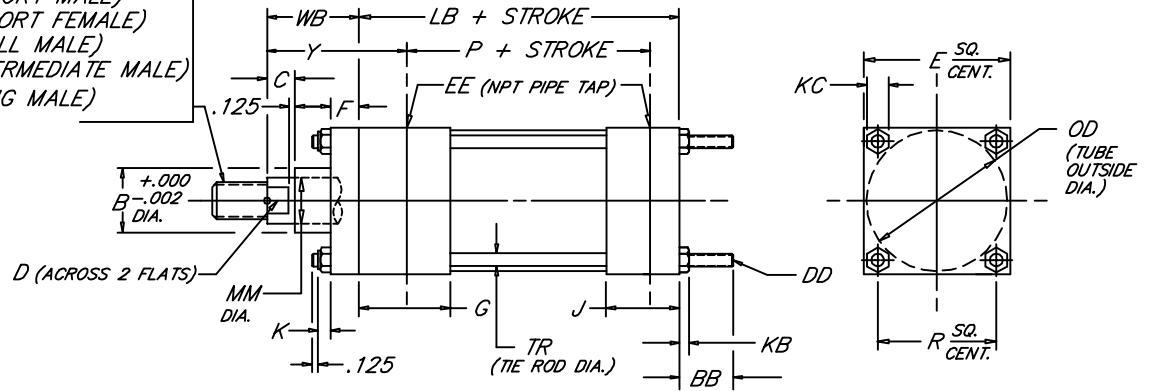
CAP TIE ROD EXTENDED

Peninsular Mounting Style: **MH 11**

Heavy Duty Steel Air Cylinder



KM (SHORT MALE)
 KF (SHORT FEMALE)
 KD (FULL MALE)
 KI (INTERMEDIATE MALE)
 KA (LONG MALE)



1.18

BORE	ROD					ROD THREAD X LENGTH																	NPT										
	MM	KM & KF	KD	KI	KA	B	BB	BC	C	CS	D	DD	E	EE	F	G	J	K	KB	KC	KN	LB	OD	P	R	RR	RS	TR	WB	Y			
1.500	.625	7/16"-20 x .750	5/8"-18 x .750	1/2"-20 x .750	1/2"-20 x 1.125	1.124	1.000	---	.375	---	.500	1/4"-28	2.000	3/8	.375	1.500	1.000	.312	.218	.438	.438	3.625	1.750	2.335	1.428	---	---	.250	1.000	1.875			
	1.000	3/4"-16 x 1.125	1"-14 x 1.125	7/8"-14 x 1.125	7/8"-14 x 1.875	1.499	---	---	.500	---	.875	---	---	---	---	---	---	---	---	---	---	---	---	---	---	---	---	---	---	---	1.375	2.250	
	1.375	1"-14 x 1.625	3/8"-12 x 1.625	1/4"-12 x 1.625	1/4"-12 x 2.500	1.999	---	---	.625	---	1.125	5/16"-24	2.500	3/8	.375	1.500	1.000	.344	.250	.500	.500	3.625	2.250	2.335	1.838	---	---	---	.312	1.000	1.875		
2.000	.625	7/16"-20 x .750	5/8"-18 x .750	1/2"-20 x .750	1/2"-20 x 1.125	1.124	---	---	.375	---	.500	---	---	---	---	---	---	---	---	---	---	---	---	---	---	---	---	---	---	---	1.000	1.875	
	1.000	3/4"-16 x 1.125	1"-14 x 1.125	7/8"-14 x 1.125	7/8"-14 x 1.875	1.499	1.125	---	.500	---	.875	---	---	---	---	---	---	---	---	---	---	---	---	---	---	---	---	---	---	---	1.375	2.250	
	1.375	1"-14 x 1.625	3/8"-12 x 1.625	1/4"-12 x 1.625	1/4"-12 x 2.500	1.999	---	---	.625	---	1.125	5/16"-24	2.500	3/8	.375	1.500	1.000	.344	.250	.500	.500	3.625	2.250	2.335	1.838	---	---	---	---	1.625	2.500		
2.500	.625	7/16"-20 x .750	5/8"-18 x .750	1/2"-20 x .750	1/2"-20 x 1.125	1.124	---	---	.375	---	.500	---	---	---	---	---	---	---	---	---	---	---	---	---	---	---	---	---	---	---	1.000	1.875	
	1.000	3/4"-16 x 1.125	1"-14 x 1.125	7/8"-14 x 1.125	7/8"-14 x 1.875	1.499	---	---	.500	---	.875	---	---	---	---	---	---	---	---	---	---	---	---	---	---	---	---	---	---	---	1.375	2.250	
	1.375	1"-14 x 1.625	3/8"-12 x 1.625	1/4"-12 x 1.625	1/4"-12 x 2.500	1.999	1.125	---	.625	---	1.125	5/16"-24	2.500	3/8	.375	1.500	1.000	.344	.250	.500	.500	3.625	2.250	2.335	1.838	---	---	---	---	1.625	2.500		
3.250	.625	7/16"-20 x .750	5/8"-18 x .750	1/2"-20 x .750	1/2"-20 x 1.125	1.124	---	---	.375	---	.500	---	---	---	---	---	---	---	---	---	---	---	---	---	---	---	---	---	---	---	1.000	1.875	
	1.000	3/4"-16 x 1.125	1"-14 x 1.125	7/8"-14 x 1.125	7/8"-14 x 1.875	1.499	---	---	.500	---	.875	---	---	---	---	---	---	---	---	---	---	---	---	---	---	---	---	---	---	---	1.375	2.250	
	1.375	1"-14 x 1.625	3/8"-12 x 1.625	1/4"-12 x 1.625	1/4"-12 x 2.500	1.999	1.125	---	.625	---	1.125	5/16"-24	2.500	3/8	.375	1.500	1.000	.344	.250	.500	.500	3.625	2.250	2.335	1.838	---	---	---	---	1.625	2.500		
4.000	.625	7/16"-20 x .750	5/8"-18 x .750	1/2"-20 x .750	1/2"-20 x 1.125	1.124	---	---	.375	---	.500	---	---	---	---	---	---	---	---	---	---	---	---	---	---	---	---	---	---	---	1.000	1.875	
	1.000	3/4"-16 x 1.125	1"-14 x 1.125	7/8"-14 x 1.125	7/8"-14 x 1.875	1.499	---	---	.500	---	.875	---	---	---	---	---	---	---	---	---	---	---	---	---	---	---	---	---	---	---	1.375	2.250	
	1.375	1"-14 x 1.625	3/8"-12 x 1.625	1/4"-12 x 1.625	1/4"-12 x 2.500	1.999	1.125	---	.625	---	1.125	5/16"-24	2.500	3/8	.375	1.500	1.000	.344	.250	.500	.500	3.625	2.250	2.335	1.838	---	---	---	---	1.625	2.500		
5.000	.625	7/16"-20 x .750	5/8"-18 x .750	1/2"-20 x .750	1/2"-20 x 1.125	1.124	---	---	.375	---	.500	---	---	---	---	---	---	---	---	---	---	---	---	---	---	---	---	---	---	---	---	1.000	1.875
	1.000	3/4"-16 x 1.125	1"-14 x 1.125	7/8"-14 x 1.125	7/8"-14 x 1.875	1.499	---	---	.500	---	.875	---	---	---	---	---	---	---	---	---	---	---	---	---	---	---	---	---	---	---	---	1.375	2.250
	1.375	1"-14 x 1.625	3/8"-12 x 1.625	1/4"-12 x 1.625	1/4"-12 x 2.500	1.999	1.125	---	.625	---	1.125	5/16"-24	2.500	3/8	.375	1.500	1.000	.344	.250	.500	.500	3.625	2.250	2.335	1.838	---	---	---	---	1.625	2.500		
6.000	.625	7/16"-20 x .750	5/8"-18 x .750	1/2"-20 x .750	1/2"-20 x 1.125	1.124	---	---	.375	---	.500	---	---	---	---	---	---	---	---	---	---	---	---	---	---	---	---	---	---	---	---	1.000	1.875
	1.000	3/4"-16 x 1.125	1"-14 x 1.125	7/8"-14 x 1.125	7/8"-14 x 1.875	1.499	---	---	.500	---	.875	---	---	---	---	---	---	---	---	---	---	---	---	---	---	---	---	---	---	---	---	1.375	2.250
	1.375	1"-14 x 1.625	3/8"-12 x 1.625	1/4"-12 x 1.625	1/4"-12 x 2.500	1.999	1.125	---	.625	---	1.125	5/16"-24	2.500	3/8	.375	1.500	1.000	.344	.250	.500	.500	3.625	2.250	2.335	1.838	---	---	---	---	1.625	2.500		

NEVA DESIGN

FILE: MH11S2.dwg REV: 09-25-06