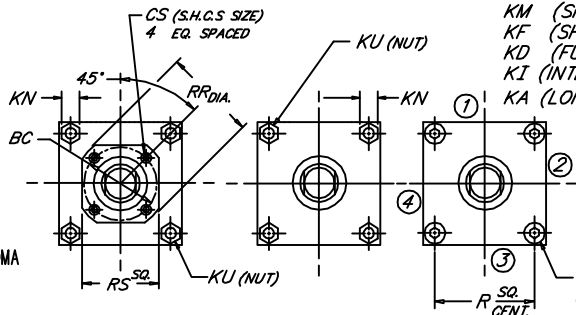
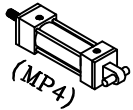


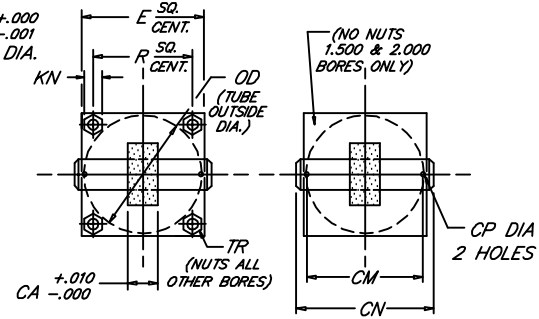
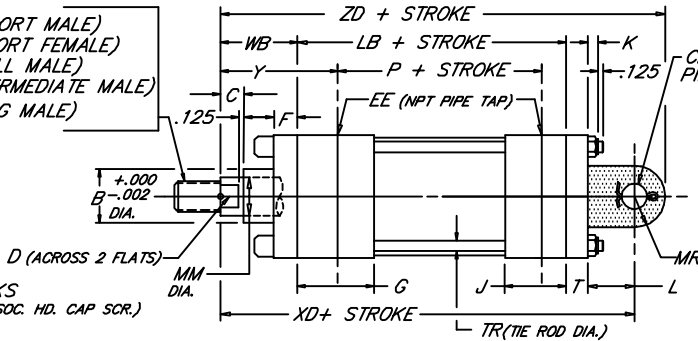
# CAP DETACHABLE EYE

Medium Duty Aluminum Air Cylinder

Peninsular Mounting Style: **LM 21**



KM (SHORT MALE)  
 KF (SHORT FEMALE)  
 KD (FULL MALE)  
 KI (INTERMEDIATE MALE)  
 KA (LONG MALE)



2.68

BORE	ROD														NPT																										
	MM	KM & KF		KD		KI		KA		B	BC	C	CA	CD	CM	CN	CP	CS	D	E	EE	F	G	J	K	KN	KS	KU	L	LB	MR	OD	P	R	RR	RS	T	TR	WB	XD	Y
1.500	.625	7/16"-20 x .750	5/8"-18 x .750	1/2"-20 x .750	1/2"-20 x 1.125	1.124	---	.375	---	.500	.735	.500	1.938	2.281	.106	---	.500	2.000	3/8	.375	1.500	1.000	.312	.438	---	.250	.750	3.625	.625	1.750	2.335	1.428	---	---	.375	.250	1.000	5.750	1.875	6.375	
	1.000	3/4"-16 x 1.125	1"-14 x 1.125	7/8"-14 x 1.125	7/8"-14 x 1.875	1.499	---	.375	---	.875	.735	.500	1.938	2.281	.106	---	.875	2.500	3/8	.375	1.500	1.000	.344	.500	---	.312	.750	3.625	.625	2.250	2.335	1.838	---	---	.375	.312	1.375	6.125	2.250	6.750	
	1.375	1"-14 x 1.625	1 3/8"-12 x 1.625	1 1/4"-12 x 1.625	1 1/4"-12 x 2.500	1.999	---	.500	---	1.125	.625	.735	2.719	3.094	.140	---	1.125	3.000	3/8	.375	1.500	1.000	.344	.500	.312	---	.750	3.750	.625	2.750	2.460	2.192	---	---	.375	.312	1.375	6.250	2.250	6.875	
2.000	.625	7/16"-20 x .750	5/8"-18 x .750	1/2"-20 x .750	1/2"-20 x 1.125	1.124	---	.375	---	.500	.735	.500	1.938	2.281	.106	---	.500	2.000	3/8	.375	1.500	1.000	.312	.438	---	.250	.750	3.625	.625	1.750	2.335	1.428	---	---	.375	.250	1.000	5.875	1.875	6.500	
	1.000	3/4"-16 x 1.125	1"-14 x 1.125	7/8"-14 x 1.125	7/8"-14 x 1.875	1.499	---	.375	---	.875	.735	.500	1.938	2.281	.106	---	.875	2.500	3/8	.375	1.500	1.000	.344	.500	.312	---	.750	3.625	.625	2.250	2.335	1.838	---	---	.375	.312	1.375	6.375	2.500	7.125	
	1.375	1"-14 x 1.625	1 3/8"-12 x 1.625	1 1/4"-12 x 1.625	1 1/4"-12 x 2.500	1.999	---	.500	---	1.125	.625	.735	2.719	3.094	.140	---	1.125	3.000	3/8	.375	1.500	1.000	.344	.500	.312	---	.750	3.750	.625	2.750	2.460	2.192	---	---	.375	.312	1.375	6.500	2.500	7.000	
2.500	.625	7/16"-20 x .750	5/8"-18 x .750	1/2"-20 x .750	1/2"-20 x 1.125	1.124	---	.375	---	.500	.735	.500	1.938	2.281	.106	---	.500	2.000	3/8	.375	1.500	1.000	.312	.438	---	.250	.750	3.625	.625	1.750	2.335	1.428	---	---	.375	.250	1.000	5.875	1.875	6.500	
	1.000	3/4"-16 x 1.125	1"-14 x 1.125	7/8"-14 x 1.125	7/8"-14 x 1.875	1.499	---	.375	---	.875	.735	.500	1.938	2.281	.106	---	.875	2.500	3/8	.375	1.500	1.000	.344	.500	.312	---	.750	3.625	.625	2.250	2.335	1.838	---	---	.375	.312	1.375	6.250	2.250	6.875	
	1.375	1"-14 x 1.625	1 3/8"-12 x 1.625	1 1/4"-12 x 1.625	1 1/4"-12 x 2.500	1.999	---	.500	---	1.125	.625	.735	2.719	3.094	.140	---	1.125	3.000	3/8	.375	1.500	1.000	.344	.500	.312	---	.750	3.750	.625	2.750	2.460	2.192	---	---	.375	.312	1.375	6.250	2.250	6.875	
3.250	.625	7/16"-20 x .750	5/8"-18 x .750	1/2"-20 x .750	1/2"-20 x 1.125	1.124	---	.375	---	.500	.735	.500	1.938	2.281	.106	---	.500	2.000	3/8	.375	1.500	1.000	.312	.438	---	.250	.750	3.625	.625	1.750	2.335	1.428	---	---	.375	.250	1.000	5.875	1.875	6.500	
	1.000	3/4"-16 x 1.125	1"-14 x 1.125	7/8"-14 x 1.125	7/8"-14 x 1.875	1.499	---	.375	---	.875	.735	.500	1.938	2.281	.106	---	.875	2.500	3/8	.375	1.500	1.000	.344	.500	.312	---	.750	3.625	.625	2.250	2.335	1.838	---	---	.375	.312	1.375	6.375	2.500	7.000	
	1.375	1"-14 x 1.625	1 3/8"-12 x 1.625	1 1/4"-12 x 1.625	1 1/4"-12 x 2.500	1.999	---	.500	---	1.125	.625	.735	2.719	3.094	.140	---	1.125	3.000	3/8	.375	1.500	1.000	.344	.500	.312	---	.750	3.750	.625	2.750	2.460	2.192	---	---	.375	.312	1.375	6.250	2.250	6.875	
4.000	.625	7/16"-20 x .750	5/8"-18 x .750	1/2"-20 x .750	1/2"-20 x 1.125	1.124	---	.375	---	.500	.735	.500	1.938	2.281	.106	---	.500	2.000	3/8	.375	1.500	1.000	.312	.438	---	.250	.750	3.625	.625	1.750	2.335	1.428	---	---	.375	.250	1.000	5.875	1.875	6.500	
	1.000	3/4"-16 x 1.125	1"-14 x 1.125	7/8"-14 x 1.125	7/8"-14 x 1.875	1.499	---	.375	---	.875	.735	.500	1.938	2.281	.106	---	.875	2.500	3/8	.375	1.500	1.000	.344	.500	.312	---	.750	3.625	.625	2.250	2.335	1.838	---	---	.375	.312	1.375	6.375	2.500	7.000	
	1.375	1"-14 x 1.625	1 3/8"-12 x 1.625	1 1/4"-12 x 1.625	1 1/4"-12 x 2.500	1.999	---	.500	---	1.125	.625	.735	2.719	3.094	.140	---	1.125	3.000	3/8	.375	1.500	1.000	.344	.500	.312	---	.750	3.750	.625	2.750	2.460	2.192	---	---	.375	.312	1.375	6.250	2.250	6.875	
5.000	.625	7/16"-20 x .750	5/8"-18 x .750	1/2"-20 x .750	1/2"-20 x 1.125	1.124	---	.375	---	.500	.735	.500	1.938	2.281	.106	---	.500	2.000	3/8	.375	1.500	1.000	.312	.438	---	.250	.750	3.625	.625	1.750	2.335	1.428	---	---	.375	.250	1.000	5.875	1.875	6.500	
	1.000	3/4"-16 x 1.125	1"-14 x 1.125	7/8"-14 x 1.125	7/8"-14 x 1.875	1.499	---	.375	---	.875	.735	.500	1.938	2.281	.106	---	.875	2.500	3/8	.375	1.500	1.000	.344	.500	.312	---	.750	3.625	.625	2.250	2.335	1.838	---	---	.375	.312	1.375	6.375	2.500	7.000	
	1.375	1"-14 x 1.625	1 3/8"-12 x 1.625	1 1/4"-12 x 1.625	1 1/4"-12 x 2.500	1.999	---	.500	---	1.125	.625	.735	2.719	3.094	.140	---	1.125	3.000	3/8	.375	1.500	1.000	.344	.500	.312	---	.750	3.750	.625	2.750	2.460	2.192	---	---	.375	.312	1.375	6.250	2.250	6.875	
6.000	.625	7/16"-20 x .750	5/8"-18 x .750	1/2"-20 x .750	1/2"-20 x 1.125	1.124	---	.375	---	.500	.735	.500	1.938	2.281	.106	---	.500	2.000	3/8	.375	1.500	1.000	.312	.438	---	.250	.750	3.625	.625	1.750	2.335	1.428	---	---	.375	.250	1.000	5.875	1.875	6.500	
	1.000	3/4"-16 x 1.125	1"-14 x 1.125	7/8"-14 x 1.125	7/8"-14 x 1.875	1.499	---	.375	---	.875	.735	.500	1.938	2.281	.106	---	.875	2.500	3/8	.375	1.500	1.000	.344	.500	.312	---	.750	3.625	.625	2.250	2.335	1.838	---	---	.375	.312	1.375	6.375	2.500	7.000	
	1.375	1"-14 x 1.625	1 3/8"-12 x 1.625	1 1/4"-12 x 1.625	1 1/4"-12 x 2.500	1.999	---	.500	---	1.125	.625	.735	2.719	3.094	.140	---	1.125	3.000	3/8	.375	1.500	1.000	.344	.500	.312	---	.750	3.750	.625	2.750	2.460	2.192	---	---	.375	.312	1.375	6.250	2.250	6.875	

NFA DESIGN