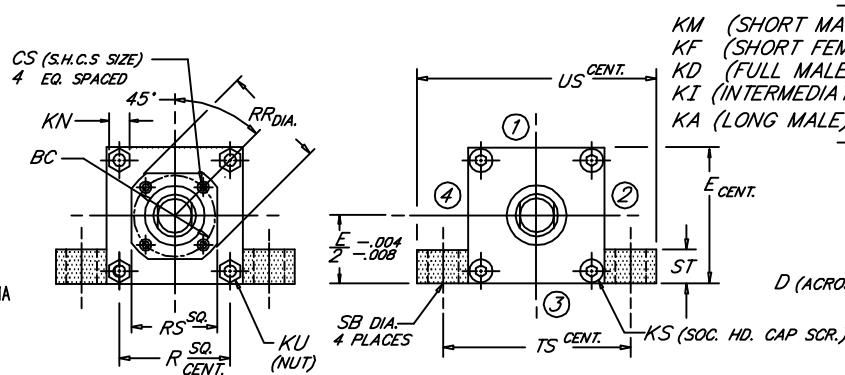
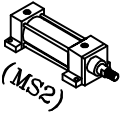


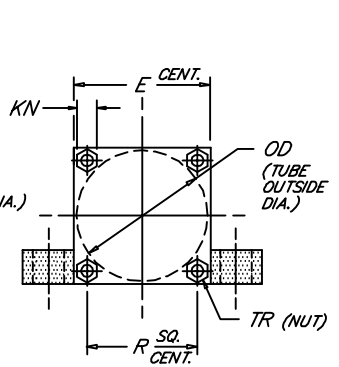
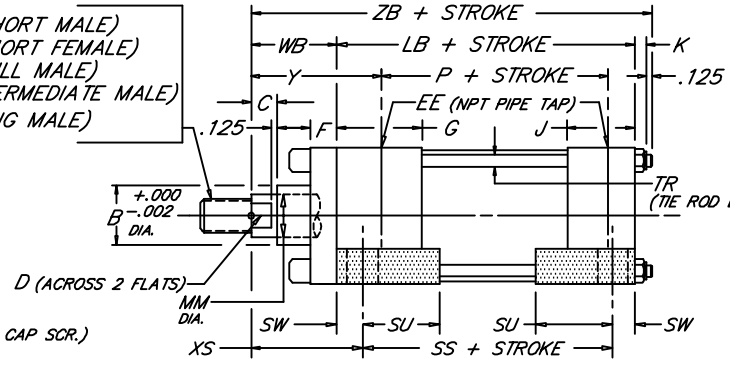
# FOOT SIDE LUGS

Medium Duty Aluminum Air Cylinder

Peninsular Mounting Style: **LM 1**



KM (SHORT MALE)  
KF (SHORT FEMALE)  
KD (FULL MALE)  
KI (INTERMEDIATE MALE)  
KA (LONG MALE)



2.50

BORE	ROD					NPT																																	
	MM	KM & KF	KD	KI	KA	B	BC	C	CS	D	E	EE	F	G	J	K	KN	KS	KU	LB	OD	P	R	RR	RS	SB	SS	ST	SU	SW	TR	TS	US	WB	XS	Y	ZB		
1.500	.625	7/16"-20 x .750	5/8"-18 x .750	1/2"-20 x .750	1/2"-20 x 1.125	1.124	---	.375	---	.500	2.000	3/8	.375	1.500	1.000	.312	.438	.250	---	3.625	1.750	2.335	1.428	---	---	.438	2.875	.500	.938	.375	.250	2.750	3.500	1.000	1.375	1.875	5.062		
	1.000	3/4"-16 x 1.125	1"-14 x 1.125	7/8"-14 x 1.125	7/8"-14 x 1.875	1.499	---	.500	---	.875	---	---	---	---	---	---	---	---	---	---	---	---	---	---	---	---	---	---	---	---	---	---	---	---	---	---	---	---	---
	.625	7/16"-20 x .750	5/8"-18 x .750	1/2"-20 x .750	1/2"-20 x 1.125	1.124	---	.375	---	.500	2.000	3/8	.375	1.500	1.000	.344	.500	.312	---	3.625	2.250	2.335	1.838	---	---	.438	2.875	.500	.938	.375	.312	3.250	4.000	1.000	1.375	1.875	5.094		
2.000	1.000	3/4"-16 x 1.125	1"-14 x 1.250	7/8"-14 x 1.250	7/8"-14 x 1.875	1.499	---	.500	---	.875	2.500	3/8	.375	1.500	1.000	.344	.500	.312	---	3.625	2.250	2.335	1.838	---	---	.438	2.875	.500	.938	.375	.312	3.250	4.000	1.000	1.375	1.875	5.094		
	1.375	1"-14 x 1.625	3/8"-12 x 1.625	1 1/4"-12 x 1.625	1 1/4"-12 x 2.500	1.999	---	.625	---	1.125	---	---	---	---	---	---	---	---	---	---	---	---	---	---	---	---	---	---	---	---	---	---	---	---	---	---	---	---	
	.625	7/16"-20 x .750	5/8"-18 x .750	1/2"-20 x .750	1/2"-20 x 1.125	1.124	---	.375	---	.500	3.000	3/8	.375	1.500	1.000	.344	.500	.312	---	3.750	2.750	2.460	2.192	---	---	.438	3.000	.500	.938	.375	.312	3.750	4.500	1.000	1.375	1.875	5.219		
2.500	1.000	3/4"-16 x 1.125	1"-14 x 1.125	7/8"-14 x 1.125	7/8"-14 x 1.875	1.499	---	.500	---	.875	---	---	---	---	---	---	---	---	---	---	---	---	---	---	---	---	---	---	---	---	---	---	---	---	---	---	---	---	
	1.375	1"-14 x 1.625	3/8"-12 x 1.625	1 1/4"-12 x 1.625	1 1/4"-12 x 2.500	1.999	---	.625	---	1.125	---	---	---	---	---	---	---	---	---	---	---	---	---	---	---	---	---	---	---	---	---	---	---	---	---	---	---	---	---
	1.750	1 1/4"-12 x 2.000	3/4"-12 x 2.000	1 1/2"-12 x 2.000	1 1/2"-12 x 3.000	2.374	---	.750	---	1.500	---	---	---	---	---	---	---	---	---	---	---	---	---	---	---	---	---	---	---	---	---	---	---	---	---	---	---	---	---
3.250	1.000	3/4"-16 x 1.125	1"-14 x 1.125	7/8"-14 x 1.125	7/8"-14 x 1.875	1.499	---	.500	---	.875	---	---	---	---	---	---	---	---	---	---	---	---	---	---	---	---	---	---	---	---	---	---	---	---	---	---	---	---	
	1.375	1"-14 x 1.625	3/8"-12 x 1.625	1 1/4"-12 x 1.625	1 1/4"-12 x 2.500	1.999	---	.625	---	1.125	3.750	1/2	.625	1.750	1.250	.438	.562	.375	---	4.250	3.500	2.750	2.758	---	---	.562	3.250	.750	1.250	.500	.375	4.750	5.750	1.000	1.375	1.875	6.188		
	1.750	1 1/4"-12 x 2.000	3/4"-12 x 2.000	1 1/2"-12 x 2.000	1 1/2"-12 x 3.000	2.374	---	.750	---	1.500	---	---	---	---	---	---	---	---	---	---	---	---	---	---	---	---	---	---	---	---	---	---	---	---	---	---	---	---	---
4.000	1.000	3/4"-16 x 1.125	1"-14 x 1.125	7/8"-14 x 1.125	7/8"-14 x 1.875	1.499	2.562	.500	.250	.875	---	---	---	---	---	---	---	---	.375	---	---	---	---	---	---	---	---	---	---	---	---	---	---	---	---	---	---	---	
	1.375	1"-14 x 1.625	3/8"-12 x 1.625	1 1/4"-12 x 1.625	1 1/4"-12 x 2.500	1.999	2.562	.625	.250	1.125	---	---	---	---	---	---	---	---	.375	---	---	---	---	---	---	---	---	---	---	---	---	---	---	---	---	---	---	---	
	1.750	1 1/4"-12 x 2.000	3/4"-12 x 2.000	1 1/2"-12 x 2.000	1 1/2"-12 x 3.000	2.374	3.267	.750	.312	1.500	4.500	1/2	.625	1.750	1.250	.438	.562	---	.375	4.250	4.250	2.750	3.323	3.734	3.000	.562	3.250	.750	1.250	.500	.375	5.500	6.500	1.000	1.375	1.875	6.688		
5.000	1.000	3/4"-16 x 1.125	1"-14 x 1.125	7/8"-14 x 1.125	7/8"-14 x 1.875	1.499	2.562	.500	.250	.875	---	---	---	---	---	---	---	---	.375	---	---	---	---	---	---	---	---	---	---	---	---	---	---	---	---	---	---	---	
	1.375	1"-14 x 1.625	3/8"-12 x 1.625	1 1/4"-12 x 1.625	1 1/4"-12 x 2.500	1.999	2.562	.625	.250	1.125	---	---	---	---	---	---	---	---	.375	---	---	---	---	---	---	---	---	---	---	---	---	---	---	---	---	---	---	---	
	1.750	1 1/4"-12 x 2.000	3/4"-12 x 2.000	1 1/2"-12 x 2.000	1 1/2"-12 x 3.000	2.374	3.267	.750	.312	1.500	---	---	---	---	---	---	---	---	.375	---	---	---	---	---	---	---	---	---	---	---	---	---	---	---	---	---	---	---	
6.000	1.000	3/4"-16 x 1.125	1"-14 x 1.125	7/8"-14 x 1.125	7/8"-14 x 1.875	1.499	2.562	.500	.250	.875	---	---	---	---	---	---	---	---	.375	---	---	---	---	---	---	---	---	---	---	---	---	---	---	---	---	---	---	---	
	1.375	1"-14 x 1.625	3/8"-12 x 1.625	1 1/4"-12 x 1.625	1 1/4"-12 x 2.500	1.999	2.562	.625	.250	1.125	---	---	---	---	---	---	---	---	.375	---	---	---	---	---	---	---	---	---	---	---	---	---	---	---	---	---	---	---	
	1.750	1 1/4"-12 x 2.000	3/4"-12 x 2.000	1 1/2"-12 x 2.000	1 1/2"-12 x 3.000	2.374	3.267	.750	.312	1.500	---	---	---	---	---	---	---	---	.375	---	---	---	---	---	---	---	---	---	---	---	---	---	---	---	---	---	---	---	
6.000	1.000	3/4"-16 x 1.125	1"-14 x 1.125	7/8"-14 x 1.125	7/8"-14 x 1.875	1.499	2.562	.500	.250	.875	---	---	---	---	---	---	---	---	.375	---	---	---	---	---	---	---	---	---	---	---	---	---	---	---	---	---	---	---	
	1.375	1"-14 x 1.625	3/8"-12 x 1.625	1 1/4"-12 x 1.625	1 1/4"-12 x 2.500	1.999	2.562	.625	.250	1.125	---	---	---	---	---	---	---	---	.375	---	---	---	---	---	---	---	---	---	---	---	---	---	---	---	---	---	---	---	
	1.750	1 1/4"-12 x 2.000	3/4"-12 x 2.000	1 1/2"-12 x 2.000	1 1/2"-12 x 3.000	2.374	3.267	.750	.312	1.500	---	---	---	---	---	---	---	---	.375	---	---	---	---	---	---	---	---	---	---	---	---	---	---	---	---	---	---	---	

NEVA DESIGN

FILE: LMS2.dwg REV: 09-25-06

27650 Groesbeck Hwy • Roseville, MI 48066-2759 • Phone 586.775.7211 • Fax 586.775.4545 • Toll Free 800.526.7968 • e-mail: sales@peninsularcylinders.com • www.peninsularcylinders.com