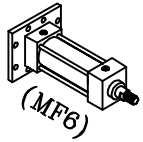


# CAP SQUARE FLANGE

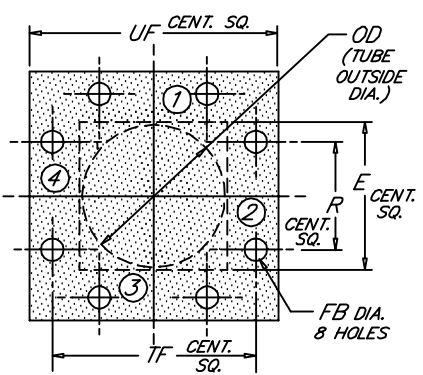
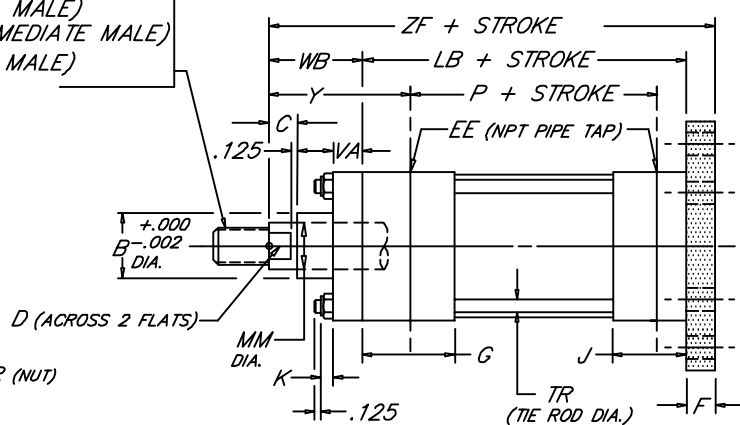
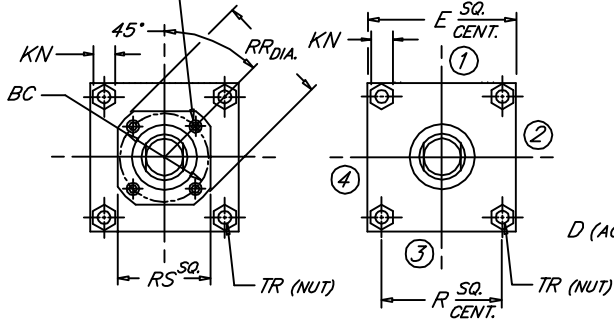
Peninsular Mounting Style: **LM 18**

Medium Duty Aluminum Air Cylinder



KM (SHORT MALE)  
 KF (SHORT FEMALE)  
 KD (FULL MALE)  
 KI (INTERMEDIATE MALE)  
 KA (LONG MALE)

CS (S.H.G.S SIZE)  
 4 EQ. SPACED



2.65

BORE	ROD					ROD THREAD X LENGTH																			NPT																		
	MM	KM & KF	KD	KI	KA	B	BC	C	CS	D	E	EE	F	FB	G	J	K	KN	LB	OD	P	R	RR	RS	TF	TR	UF	VA	WB	Y	ZF												
1.500	.625	7/16"-20 x .750	5/8"-18 x .750	1/2"-20 x .750	1/2"-20 x 1.125	1.124	---	.375	---	.500	2.000	3/8	.375	.312	1.500	1.000	.312	.438	3.625	1.750	2.335	1.428	---	---	2.750	.250	3.375	.375	1.000	1.875	5.000												
	1.000	3/4"-16 x 1.125	1"-14 x 1.125	7/8"-14 x 1.125	7/8"-14 x 1.875	1.499	---	.500	---	.875	---	---	---	---	---	---	---	---	---	---	---	---	---	---	---	---	---	---	---	---	---	---											
	.625	7/16"-20 x .750	5/8"-18 x .750	1/2"-20 x .750	1/2"-20 x 1.125	1.124	---	.375	---	.500	2.500	3/8	.375	.375	1.500	1.000	.344	.500	3.625	2.250	2.335	1.838	---	---	3.375	.312	4.125	.375	1.000	1.875	5.000												
2.000	1.000	3/4"-16 x 1.125	1"-14 x 1.125	7/8"-14 x 1.125	7/8"-14 x 1.875	1.499	---	.500	---	.875	---	---	---	---	---	---	---	---	---	---	---	---	---	---	---	---	---	---	---	---	---												
	1.375	1"-14 x 1.625	1 3/8"-12 x 1.625	1 1/4"-12 x 1.625	1 1/4"-12 x 2.500	1.999	---	.625	---	1.125	---	---	---	---	---	---	---	---	---	---	---	---	---	---	---	---	---	---	---	---	---												
	.625	7/16"-20 x .750	5/8"-18 x .750	1/2"-20 x .750	1/2"-20 x 1.125	1.124	---	.375	---	.500	3.000	3/8	.375	.375	1.500	1.000	.344	.500	3.750	2.750	2.460	2.192	---	---	3.875	.312	4.625	.375	1.000	1.875	5.125												
2.500	1.000	3/4"-16 x 1.125	1"-14 x 1.125	7/8"-14 x 1.125	7/8"-14 x 1.875	1.499	---	.500	---	.875	---	---	---	---	---	---	---	---	---	---	---	---	---	---	---	---	---	---	---	---	---												
	1.375	1"-14 x 1.625	1 3/8"-12 x 1.625	1 1/4"-12 x 1.625	1 1/4"-12 x 2.500	1.999	---	.625	---	1.125	---	---	---	---	---	---	---	---	---	---	---	---	---	---	---	---	---	---	---	---	---												
	1.750	1 1/4"-12 x 2.000	1 3/4"-12 x 2.000	1 1/2"-12 x 2.000	1 1/2"-12 x 3.000	2.374	---	.750	---	1.500	---	---	---	---	---	---	---	---	---	---	---	---	---	---	---	---	---	---	---	---	---												
3.250	1.000	3/4"-16 x 1.125	1"-14 x 1.125	7/8"-14 x 1.125	7/8"-14 x 1.875	1.499	---	.500	---	.875	3.750	1/2	.625	.438	1.750	1.250	.438	.562	4.250	3.500	2.750	2.758	---	---	4.688	.375	5.500	.625	1.375	2.375	6.250												
	1.375	1"-14 x 1.625	1 3/8"-12 x 1.625	1 1/4"-12 x 1.625	1 1/4"-12 x 2.500	1.999	---	.625	---	1.125	---	---	---	---	---	---	---	---	---	---	---	---	---	---	---	---	---	---	---	---	---												
	1.750	1 1/4"-12 x 2.000	1 3/4"-12 x 2.000	1 1/2"-12 x 2.000	1 1/2"-12 x 3.000	2.374	---	.750	---	1.500	---	---	---	---	---	---	---	---	---	---	---	---	---	---	---	---	---	---	---	---	---												
4.000	2.000	1 1/2"-12 x 2.250	2"-12 x 2.250	1 3/4"-12 x 2.250	1 3/4"-12 x 3.500	2.624	---	.875	---	1.688	---	---	---	---	---	---	---	---	---	---	---	---	---	---	---	---	---	---	---	---	---												
	2.500	1 7/8"-12 x 3.000	2 1/2"-12 x 3.000	2 1/4"-12 x 3.000	2 1/4"-12 x 4.500	3.124	---	1.000	---	2.062	---	---	---	---	---	---	---	---	---	---	---	---	---	---	---	---	---	---	---	---	---												
	1.000	3/4"-16 x 1.125	1"-14 x 1.125	7/8"-14 x 1.125	7/8"-14 x 1.875	1.499	2.562	.500	.250	.875	---	---	---	---	---	---	---	---	---	---	---	---	2.969	2.500	---	---	---	---	---	---	---												
5.000	1.375	1"-14 x 1.625	1 3/8"-12 x 1.625	1 1/4"-12 x 1.625	1 1/4"-12 x 2.500	1.999	2.562	.625	.250	1.125	---	---	---	---	---	---	---	---	---	---	---	2.969	2.500	---	---	---	---	---	---	---													
	1.750	1 1/4"-12 x 2.000	1 3/4"-12 x 2.000	1 1/2"-12 x 2.000	1 1/2"-12 x 3.000	2.374	3.267	.750	.312	1.500	4.500	1/2	.625	.438	1.750	1.250	.438	.562	4.250	4.250	2.750	3.323	3.734	3.000	5.438	.375	6.250	.625	1.625	2.625	6.500												
	2.000	1 1/2"-12 x 2.250	2"-12 x 2.250	1 3/4"-12 x 2.250	1 3/4"-12 x 3.500	2.624	---	.875	---	1.688	---	---	---	---	---	---	---	---	---	---	---	---	---	---	---	---	---	---	---	---	---	---											
6.000	2.500	1 7/8"-12 x 3.000	2 1/2"-12 x 3.000	2 1/4"-12 x 3.000	2 1/4"-12 x 4.500	3.124	3.812	.875	.312	1.688	5.500	1/2	.625	.562	1.750	1.250	.594	.750	4.500	5.250	3.000	4.101	4.312	3.750	6.625	.500	7.625	.625	2.000	3.000	7.125												
	3.000	2 1/4"-12 x 3.500	3"-12 x 3.500	2 3/4"-12 x 3.500	2 3/4"-12 x 5.000	3.749	---	1.000	---	2.625	---	---	---	---	---	---	---	---	---	---	---	---	---	---	---	---	---	---	---	---	---												
	3.500	2 1/2"-12 x 3.500	3 1/2"-12 x 3.500	3 1/4"-12 x 3.500	3 1/4"-12 x 5.000	4.249	---	1.000	---	3.000	---	---	---	---	---	---	---	---	---	---	---	---	---	---	---	---	---	---	---	---	---												
6.000	1.375	1"-14 x 1.625	1 3/8"-12 x 1.625	1 1/4"-12 x 1.625	1 1/4"-12 x 2.500	1.999	3.267	.625	.312	1.125	---	---	---	---	---	---	---	---	---	---	---	---	3.734	3.000	---	---	---	---	---	---	---												
	1.750	1 1/4"-12 x 2.000	1 3/4"-12 x 2.000	1 1/2"-12 x 2.000	1 1/2"-12 x 3.000	2.374	3.267	.750	.312	1.500	---	---	---	---	---	---	---	---	---	---	---	---	3.734	3.000	---	---	---	---	---	---	---												
	2.000	1 1/2"-12 x 2.250	2"-12 x 2.250	1 3/4"-12 x 2.250	1 3/4"-12 x 3.500	2.624	3.812	.875	.312	1.688	---	---	---	---	---	---	---	---	---	---	---	---	4.312	3.750	---	---	---	---	---	---	---												
6.000	2.500	1 7/8"-12 x 3.000	2 1/2"-12 x 3.000	2 1/4"-12 x 3.000	2 1/4"-12 x 4.500	3.124	3.812	1.000	.312	2.062	6.500	3/4	.750	.562	2.000	1.500	.594	.750	5.000	6.250	3.250	4.879	4.312	3.750	7.625	.500	8.625	.625	2.250	3.375	8.000												
	3.000	2 1/4"-12 x 3.500	3"-12 x 3.500	2 3/4"-12 x 3.500	2 3/4"-12 x 5.000	3.749	4.700	1.000	.375	2.625	---	---	---	---	---	---	---	---	---	---	---	---	5.562	4.500	---	---	---	---	---	---	---												
	3.500	2 1/2"-12 x 3.500	3 1/2"-12 x 3.500	3 1/4"-12 x 3.500	3 1/4"-12 x 5.000	4.249	5.200	1.000	.375	3.000	---	---	---	---	---	---	---	---	---	---	---	---	---	6.062	5.000	---	---	---	---	---	---												
4.000	3"-12 x 4.000	4"-12 x 4.000	3 3/4"-12 x 4.000	3 3/4"-12 x 7.500	4.749	---	1.000	---	3.375	---	---	---	---	---	---	---	---	---	---	---	---	---	---	---	---	---	---	---	---	---													

NEVA DESIGN

FILE: LM18S2.dwg REV: 09-25-06