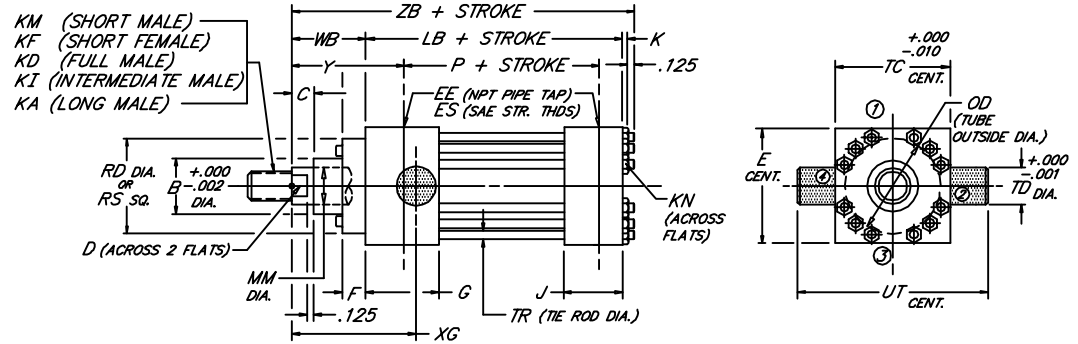
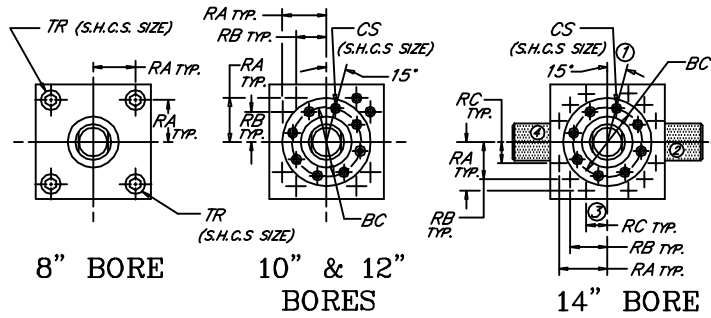
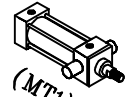


# HEAD TRUNNION

Peninsular  
Mounting Style: **HP 2**

Heavy Duty Hydraulic Cylinder • 3000 P.S.I. Working Pressure • 5000 P.S.I. Rated Pressure



BORE	ROD					NPT/SAE																														
	MM	ROD THREAD X LENGTH				B	BC	C	CS	D	E	EE	ES	F	G	J	K	KN	LB	P	OD	RA	RB	RC	RD	RS	TC	TD	TR	UT	WB	XG	Y	ZB		
8.000	3.500	2 1/2"-12 x 3.500	3 1/2"-12 x 3.500	3 1/4"-12 x 3.500	3 1/4"-12 x 6.500	4.249				3.000																										
	4.000	3"-12 x 4.000	4"-12 x 4.000	3 3/4"-12 x 4.000	3 3/4"-12 x 7.500	4.749				3.375																										
	4.500	3 1/4"-12 x 4.500	4 1/2"-12 x 4.500	4 1/4"-12 x 4.500	4 1/4"-12 x 8.250	5.249	---	1.000	---	3.875	9.500	1 1/2	-24	1.000	3.000	3.000	1.188	1.844	9.500	6.125	9.250	3.750	---	---	---	9.500	9.500	3.000	1.250	15.500	2.250	3.750	3.938	13.063		
	5.000	3 1/2"-12 x 5.000	5"-12 x 5.000	4 3/4"-12 x 5.000	4 3/4"-12 x 9.000	5.749				4.250																										
	5.500	4"-12 x 5.500	5 1/2"-12 x 5.500	5 1/4"-12 x 5.500	5 1/4"-12 x 10.000	6.249				4.625																										
10.000	4.500	3 1/4"-12 x 4.500	4 1/2"-12 x 4.500	4 1/4"-12 x 4.500	4 1/4"-12 x 8.250	5.249	6.375	.500	3.875				.500												7.260								2.937	4.781	4.750	16.281
	5.000	3 1/2"-12 x 5.000	5"-12 x 5.000	4 3/4"-12 x 5.000	4 3/4"-12 x 9.000	5.749	6.875	.500	4.250	12.625	2	-32	.500	3.688	3.688	1.094	1.656	12.125	8.500	11.750	5.291	3.775	---	8.260	---	12.625	3.500	1.125	19.625	3.187	5.031	5.000	16.531			
	5.500	4"-12 x 5.500	5 1/2"-12 x 5.500	5 1/4"-12 x 5.500	5 1/4"-12 x 10.000	6.249	7.375	1.000	.500	4.625			.500	3.688	3.688	1.094	1.656	12.125	8.500	11.750	5.291	3.775	---	8.260	---	12.625	3.500	1.125	19.625	3.187	5.031	5.000	16.531			
	6.000	4 1/2"-12 x 6.000	6"-12 x 6.000	5 3/4"-12 x 6.000	5 3/4"-12 x 10.000	6.749	8.500	.625	5.125		14.875	2 1/2	-32	.875	4.438	4.438	1.188	1.844	14.500	10.125	14.000	6.270	4.555	---	10.000	---	14.875	4.000	1.250	22.875	3.437	5.281	5.250	16.781		
	7.000	5"-12 x 7.000	7"-12 x 7.000	6 1/2"-12 x 7.000	6 1/2"-12 x 10.000	7.749	9.437	.625	6.000				.875	4.438	4.438	1.188	1.844	14.500	10.125	14.000	6.270	4.555	---	10.500	---	14.875	4.000	1.250	22.875	3.437	5.281	5.250	16.781			
12.000	5.500	4"-12 x 5.500	5 1/2"-12 x 5.500	5 1/4"-12 x 5.500	5 1/4"-12 x 10.000	6.249	7.375	.500	4.625			.500												8.260								3.187	5.406	5.375	19.000	
	6.000	4 1/2"-12 x 6.000	6"-12 x 6.000	5 3/4"-12 x 6.000	5 3/4"-12 x 10.000	6.749	8.500	.625	5.125			.875	4.438	4.438	1.188	1.844	14.500	10.125	14.000	6.270	4.555	---	10.000	---	14.875	4.000	1.250	22.875	3.437	5.656	5.625	19.250				
	7.000	5"-12 x 7.000	7"-12 x 7.000	6 1/2"-12 x 7.000	6 1/2"-12 x 10.000	7.749	9.437	1.000	.625	6.000			.875	4.438	4.438	1.188	1.844	14.500	10.125	14.000	6.270	4.555	---	10.500	---	14.875	4.000	1.250	22.875	3.437	5.656	5.625	19.250			
	8.000	5 3/4"-12 x 8.000	8"-12 x 8.000	7 1/2"-12 x 8.000	7 1/2"-12 x 12.000	8.749	10.500	.625	7.000			.875	4.438	4.438	1.188	1.844	14.500	10.125	14.000	6.270	4.555	---	12.000	---	14.875	4.000	1.250	22.875	3.437	5.656	5.625	19.250				
14.000	7.000	5"-12 x 7.000	7"-12 x 7.000	6 1/2"-12 x 7.000	6 1/2"-12 x 10.000	7.749	9.437		6.000														10.500													
	8.000	5 3/4"-12 x 8.000	8"-12 x 8.000	7 1/2"-12 x 8.000	7 1/2"-12 x 12.000	8.749	10.500	.625	7.000			17.125	3	-32	.875	4.875	4.875	1.188	1.844	15.625	10.875	16.000	7.485	6.143	4.409	---	17.125	4.500	1.250	26.125	3.437	5.875	5.625	20.375		
	9.000	6 1/2"-12 x 9.000	9"-12 x 9.000	8 1/2"-12 x 9.000	8 1/2"-12 x 13.500	9.749	11.500	1.000	.625	7.875													12.000	---	17.125	4.500	1.250	26.125	3.437	5.875	5.625	20.375				
	10.000	7 1/4"-12 x 10.000	10"-12 x 10.000	9 1/2"-12 x 10.000	9 1/2"-12 x 15.000	10.749	12.500	.625	8.625														14.000	---	17.125	4.500	1.250	26.125	3.437	5.875	5.625	20.375				

NEVA DESIGN

FILE: HPO2L2.dwg REV: 09-25-06

27650 Groesbeck Hwy • Roseville, MI 48066-2759 • Phone 586.775.7211 • Fax 586.775.4545 • Toll Free 800.526.7968 • e-mail: sales@peninsularcylinders.com • www.peninsularcylinders.com