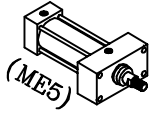


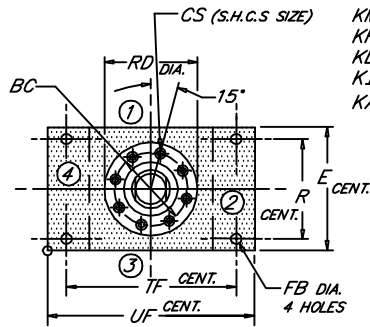
# HEAD RECTANGULAR

Heavy Duty Hydraulic Cylinder • 3000 P.S.I. Working Pressure • 5000 P.S.I. Rated Pressure

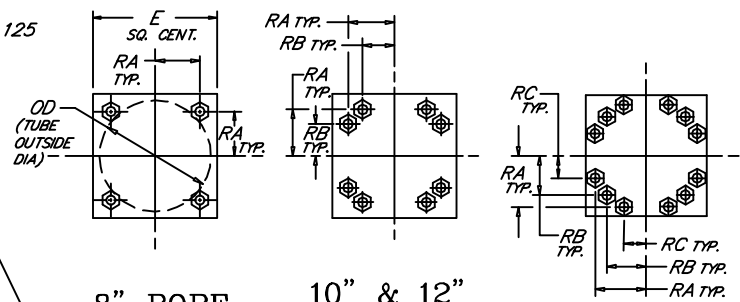
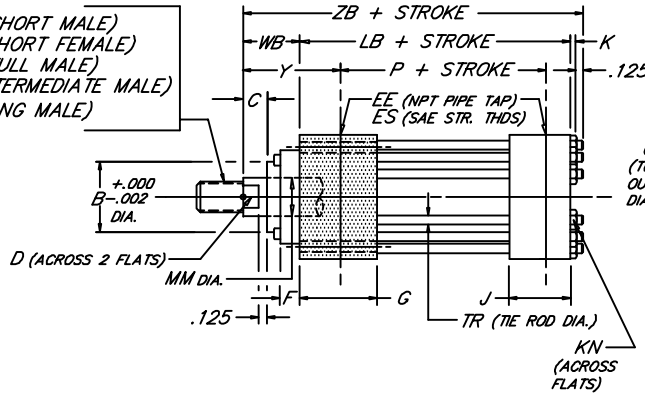
Peninsular  
Mounting Style: **HP 28**



NFPA  
NAAMS  
ISO: DIN-VDMA



- KM (SHORT MALE)
- KF (SHORT FEMALE)
- KD (FULL MALE)
- KI (INTERMEDIATE MALE)
- KA (LONG MALE)



8" BORE                  10" & 12" BORES                  14" BORE

BORE	ROD					ROD THREAD X LENGTH																	NPT/SAE																					
	MM	KM & KF	KD	KI	KA	B	BC	C	CS	D	E	EE	ES	F	FB	G	J	K	KN	LB	P	OD	R	RA	RB	RC	RD	TF	TR	UF	WB	Y	ZB											
8.000	3.500	2 1/2"-12 x 3.500	3 1/2"-12 x 3.500	3 1/4"-12 x 3.500	3 1/4"-12 x 6.500	4.249	5.000	.375	3.000					.375																														
	4.000	3"-12 x 4.000	4"-12 x 4.000	3 3/4"-12 x 4.000	3 3/4"-12 x 7.500	4.749	5.625	.438	3.375					.500																														
	4.500	3 1/4"-12 x 4.500	4 1/2"-12 x 4.500	4 1/4"-12 x 4.500	4 1/4"-12 x 8.250	5.249	6.375	1.000	.500	3.875	9.500	1 1/2	-24	.500	1.312	3.000	3.000	1.188	1.844	9.500	6.125	9.250	7.500	3.750	---	---	7.260	11.812	1.250	14.000	2.250	3.938	13.063											
	5.000	3 1/2"-12 x 5.000	5"-12 x 5.000	4 3/4"-12 x 5.000	4 3/4"-12 x 9.000	5.749	6.875		.500	4.250				.500																														
	5.500	4"-12 x 5.500	5 1/2"-12 x 5.500	5 1/4"-12 x 5.500	5 1/4"-12 x 10.000	6.249	7.375		.500	4.625				.500																														
10.000	4.500	3 1/4"-12 x 4.500	4 1/2"-12 x 4.500	4 1/4"-12 x 4.500	4 1/4"-12 x 8.250	5.249	6.375		.500	3.875			.500																									2.937	4.750	16.281				
	5.000	3 1/2"-12 x 5.000	5"-12 x 5.000	4 3/4"-12 x 5.000	4 3/4"-12 x 9.000	5.749	6.875		.500	4.250			.500																									3.187	5.000	16.531				
	5.500	4"-12 x 5.500	5 1/2"-12 x 5.500	5 1/4"-12 x 5.500	5 1/4"-12 x 10.000	6.249	7.375	1.000	.500	4.625	12.625	2	-32	.500	1.812	3.688	3.688	1.094	1.656	12.125	8.500	11.750	9.625	5.291	3.775	---	---	8.260	15.875	1.125	19.000	3.187	5.000	16.531										
	6.000	4 1/2"-12 x 6.000	6"-12 x 6.000	5 3/4"-12 x 6.000	5 3/4"-12 x 10.000	6.749	8.500		.625	5.125			.875																										3.437	5.250	16.781			
	7.000	5"-12 x 7.000	7"-12 x 7.000	6 1/2"-12 x 7.000	6 1/2"-12 x 10.000	7.749	9.437		.625	6.000			.875																										3.437	5.250	16.781			
12.000	5.500	4"-12 x 5.500	5 1/2"-12 x 5.500	5 1/4"-12 x 5.500	5 1/4"-12 x 10.000	6.249	7.375		.500	4.625			.500																											3.187	5.375	19.000		
	6.000	4 1/2"-12 x 6.000	6"-12 x 6.000	5 3/4"-12 x 6.000	5 3/4"-12 x 10.000	6.749	8.500		.625	5.125			.875																											3.437	5.625	19.250		
	7.000	5"-12 x 7.000	7"-12 x 7.000	6 1/2"-12 x 7.000	6 1/2"-12 x 10.000	7.749	9.437	1.000	.625	6.000	14.875	2 1/2	-32	.875	2.062	4.438	4.438	1.188	1.844	14.500	10.125	14.000	11.450	6.270	4.555	---	---	10.000	18.500	1.250	22.000	3.437	5.625	19.250										
	8.000	5 3/4"-12 x 8.000	8"-12 x 8.000	7 1/2"-12 x 8.000	7 1/2"-12 x 12.000	8.749	10.500		.625	7.000			.875																												3.437	5.625	19.250	
	9.000	6 1/2"-12 x 9.000	9"-12 x 9.000	8 1/2"-12 x 9.000	8 1/2"-12 x 13.500	9.749	11.500		.625	7.875			.875																															
14.000	7.000	5"-12 x 7.000	7"-12 x 7.000	6 1/2"-12 x 7.000	6 1/2"-12 x 10.000	7.749	9.437		.625	6.000			.875																															
	8.000	5 3/4"-12 x 8.000	8"-12 x 8.000	7 1/2"-12 x 8.000	7 1/2"-12 x 12.000	8.749	10.500		.625	7.000			.875																															
	9.000	6 1/2"-12 x 9.000	9"-12 x 9.000	8 1/2"-12 x 9.000	8 1/2"-12 x 13.500	9.749	11.500	1.000	.625	7.875	17.125	3	-32	.875	2.312	4.875	4.875	1.188	1.844	15.625	10.875	16.000	13.260	7.485	6.143	4.409		10.500	21.000	1.250	25.000	3.437	5.625	20.375										
10.000	7 1/4"-12 x 10.000	10"-12 x 10.000	9 1/2"-12 x 10.000	9 1/2"-12 x 15.000	10.749	12.500		.625	8.625			.875																																

NEVA DESIGN