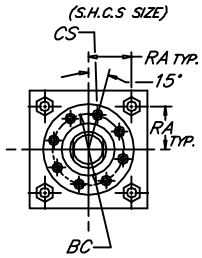
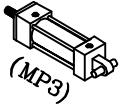


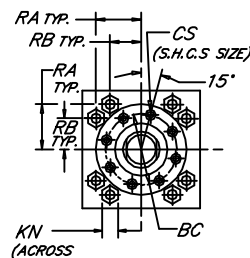
CAP FIXED EYE

Peninsular
Mounting Style: **HP 25**

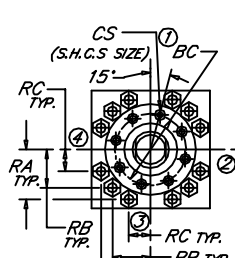
Heavy Duty Hydraulic Cylinder • 3000 P.S.I. Working Pressure • 5000 P.S.I. Rated Pressure



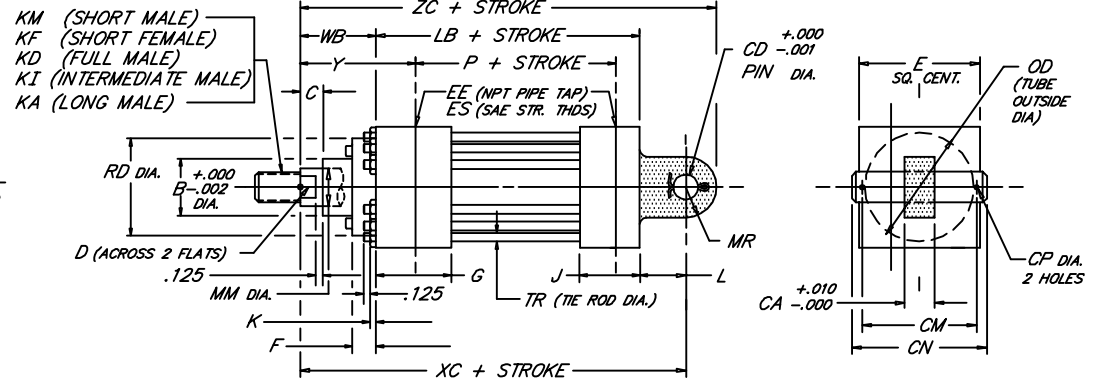
8" BORE



10" & 12" BORES



14" BORE



BORE	ROD THREAD X LENGTH					NPT/SAE																																						
	MM	KM & KF	KD	KI	KA	B	BC	C	CA	CD	CM	CN	CP	CS	D	E	EE	ES	F	G	J	K	KN	L	LB	MR	P	OD	RA	RB	RC	RD	TR	WB	XC	Y	ZC							
8.000	3.500	2 1/2"-12 x 3.500	3 1/2"-12 x 3.500	3 1/4"-12 x 3.500	3 1/4"-12 x 6.500	4.249	5.000							.375	3.000				.375																									
	4.000	3"-12 x 4.000	4"-12 x 4.000	3 3/4"-12 x 4.000	3 3/4"-12 x 7.500	4.749	5.625							.438	3.375				.500																									
	4.500	3 1/4"-12 x 4.500	4 1/2"-12 x 4.500	4 1/4"-12 x 4.500	4 1/4"-12 x 8.250	5.249	6.375	1.000	2.985	3.000	6.344	6.844	.250	.500	3.875	9.500	1 1/2	-24	.500	3.000	3.000	1.188	1.844	3.250	9.500	2.750	6.125	9.250	3.750	---	---	7.260	1.250	2.250	15.000	3.938	17.750							
	5.000	3 1/2"-12 x 5.000	5"-12 x 5.000	4 3/4"-12 x 5.000	4 3/4"-12 x 9.000	5.749	6.875							.500	4.250				.500																									
	5.500	4"-12 x 5.500	5 1/2"-12 x 5.500	5 1/4"-12 x 5.500	5 1/4"-12 x 10.000	6.249	7.375							.500	4.625				.500																									
10.000	4.500	3 1/4"-12 x 4.500	4 1/2"-12 x 4.500	4 1/4"-12 x 4.500	4 1/4"-12 x 8.250	5.249	6.375						.500	3.875				.500																										
	5.000	3 1/2"-12 x 5.000	5"-12 x 5.000	4 3/4"-12 x 5.000	4 3/4"-12 x 9.000	5.749	6.875						.500	4.250				.500																										
	5.500	4"-12 x 5.500	5 1/2"-12 x 5.500	5 1/4"-12 x 5.500	5 1/4"-12 x 10.000	6.249	7.375	1.000	3.985	3.500	8.406	8.969	.312	.500	4.625	12.625	2	-32	.500	3.688	3.688	1.094	1.656	4.000	12.125	3.500	8.500	11.750	5.291	3.775	---	---	7.260	1.125	3.187	19.062	4.750	22.562						
	6.000	4 1/2"-12 x 6.000	6"-12 x 6.000	5 3/4"-12 x 6.000	5 3/4"-12 x 10.000	6.749	8.500						.625	5.125				.875																										
	7.000	5"-12 x 7.000	7"-12 x 7.000	6 1/2"-12 x 7.000	6 1/2"-12 x 10.000	7.749	9.437						.625	6.000				.875																										
12.000	5.500	4"-12 x 5.500	5 1/2"-12 x 5.500	5 1/4"-12 x 5.500	5 1/4"-12 x 10.000	6.249	7.375					.500	4.625				.500																											
	6.000	4 1/2"-12 x 6.000	6"-12 x 6.000	5 3/4"-12 x 6.000	5 3/4"-12 x 10.000	6.749	8.500					.625	5.125				.875																											
	7.000	5"-12 x 7.000	7"-12 x 7.000	6 1/2"-12 x 7.000	6 1/2"-12 x 10.000	7.749	9.437	1.000	4.485	4.000	9.406	9.969	.312	.625	6.000	14.875	2 1/2	-32	.875	4.438	4.438	1.188	1.844	4.500	14.500	4.000	10.125	14.000	6.270	4.555	---	---	8.260	1.250	3.187	19.312	5.000	22.812						
	8.000	5 3/4"-12 x 8.000	8"-12 x 8.000	7 1/2"-12 x 8.000	7 1/2"-12 x 12.000	8.749	10.500					.625	7.000				.875																											
	8.000	5 3/4"-12 x 8.000	8"-12 x 8.000	7 1/2"-12 x 8.000	7 1/2"-12 x 10.000	8.749	10.500					.625	7.000				.875																											
14.000	7.000	5"-12 x 7.000	7"-12 x 7.000	6 1/2"-12 x 7.000	6 1/2"-12 x 10.000	7.749	9.437					.625	6.000				.875																											
	8.000	5 3/4"-12 x 8.000	8"-12 x 8.000	7 1/2"-12 x 8.000	7 1/2"-12 x 12.000	8.749	10.500					.625	7.000				.875																											
	9.000	6 1/2"-12 x 9.000	9"-12 x 9.000	8 1/2"-12 x 9.000	8 1/2"-12 x 13.500	9.749	11.500	1.000	5.985	5.000	12.406	12.969	.312	.625	7.875	17.125	3	-32	.875	4.875	4.875	1.188	1.844	5.750	15.625	5.000	10.875	16.000	7.485	6.143	4.409	---	---	10.500	1.250	3.437	24.812	5.625	29.812					
	10.000	7 1/4"-12 x 10.000	10"-12 x 10.000	9 1/2"-12 x 10.000	9 1/2"-12 x 15.000	10.749	12.500					.625	8.625				.875																											

FILE: HP25L2.dwg REV: 09-25-06

27650 Groesbeck Hwy • Roseville, MI 48066-2759 • Phone 586.775.7211 • Fax 586.775.4545 • Toll Free 800.526.7968 • e-mail: sales@peninsularcylinders.com • www.peninsularcylinders.com