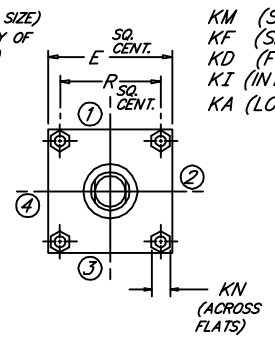
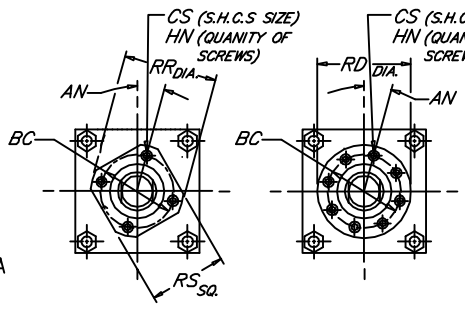
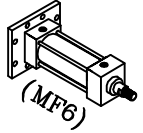


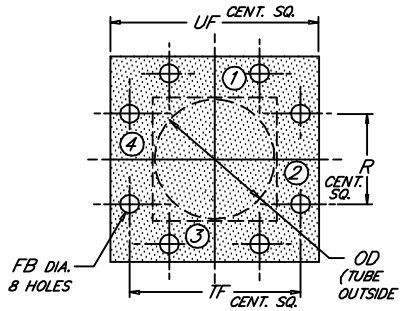
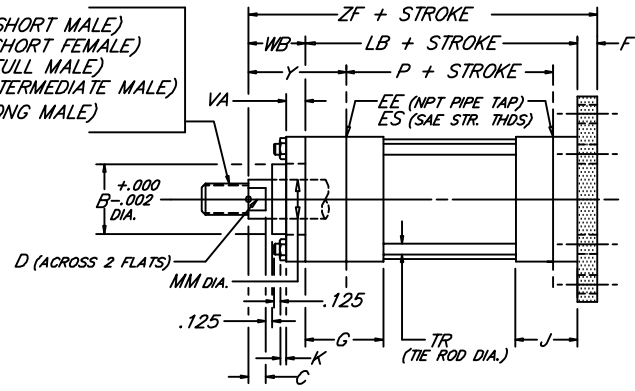
CAP SQUARE FLANGE

Peninsular
Mounting Style: **HP 18**

Heavy Duty Hydraulic Cylinder • 3000 P.S.I. Working Pressure • 5000 P.S.I. Rated Pressure



KM (SHORT MALE)
KF (SHORT FEMALE)
KD (FULL MALE)
KI (INTERMEDIATE MALE)
KA (LONG MALE)



6.25

BORE	ROD		ROD THREAD X LENGTH													NPT/SAE																					
	MM	KM & KF	KD	KI	KA	AN	B	BC	C	CS	D	E	EE	ES	F	FB	G	HN	J	K	KN	LB	OD	P	R	RD	RR	RS	TF	TR	UF	VA	WB	Y	ZF		
1.500	.625	7/16"-20 x .750	5/8"-18 x .750	1/2"-20 x .750	1/2"-20 x 1.125	15'	1.124	1.750	.375	.250	.500	2.500	1/2	-8	.375	.437	1.750	4	1.500	.406	.562	4.625	1.875	2.875	1.625	---	2.125	1.625	---	3.438	.375	4.250	.250	1.000	2.000	6.000	
	1.000	3/4"-16 x 1.125	1"-14 x 1.125	7/8"-14 x 1.125	7/8"-14 x 1.875	---	1.499	---	.500	---	.875	---	---	---	---	---	---	---	---	---	---	---	---	---	---	---	---	---	---	---	---	---	---	---	---	---	---
2.000	1.000	3/4"-16 x 1.125	1"-14 x 1.125	7/8"-14 x 1.125	7/8"-14 x 1.875	15'	1.499	2.188	.500	.312	.875	3.000	1/2	-8	.625	.562	1.750	4	1.500	.531	.750	4.625	2.375	2.875	2.050	---	2.656	2.000	---	4.125	.500	5.125	.375	1.375	2.375	6.625	
	1.375	1"-14 x 1.625	1 3/8"-12 x 1.625	1 1/4"-12 x 1.625	1 1/4"-12 x 2.500	---	1.999	---	.625	---	1.125	---	---	---	---	---	---	---	---	---	---	---	---	---	---	---	---	---	---	---	---	---	---	---	---	---	---
2.500	1.000	3/4"-16 x 1.125	1"-14 x 1.125	7/8"-14 x 1.125	7/8"-14 x 1.875	15'	1.499	2.188	.500	.312	.875	---	---	---	---	---	---	---	---	---	---	---	---	---	---	---	---	2.656	2.000	---	---	---	---	---	---	---	---
	1.375	1"-14 x 1.625	1 3/8"-12 x 1.625	1 1/4"-12 x 1.625	1 1/4"-12 x 2.500	15'	1.999	2.750	.625	.375	1.125	3.500	1/2	-8	.625	.562	1.750	4	1.500	.531	.750	4.750	3.000	3.000	2.550	---	3.320	2.500	4.625	.500	5.625	.375	1.625	2.625	7.000		
3.250	1.750	1 1/4"-12 x 2.000	1 3/8"-12 x 1.625	1 1/4"-12 x 1.625	1 1/4"-12 x 2.500	15'	1.999	2.750	.625	.375	1.125	---	---	---	---	---	---	---	---	---	---	---	---	---	---	---	---	---	---	---	---	---	---	---	---	---	---
	2.000	1 1/2"-12 x 2.250	2"-12 x 2.250	1 3/4"-12 x 2.250	1 3/4"-12 x 3.500	---	2.624	---	.875	---	1.688	---	---	---	---	---	---	---	---	---	---	---	---	---	---	---	---	---	---	---	---	---	---	---	---	---	---
4.000	1.750	1 1/4"-12 x 2.000	1 3/8"-12 x 2.000	1 1/2"-12 x 2.000	1 1/2"-12 x 3.000	15'	2.374	3.125	.750	.375	1.500	4.500	3/4	-12	.750	.687	2.000	4	1.750	.656	.938	5.500	3.875	3.500	3.250	---	3.320	2.500	---	---	---	---	---	---	---	---	---
	2.000	1 1/2"-12 x 2.250	2"-12 x 2.250	1 3/4"-12 x 2.250	1 3/4"-12 x 3.500	30'	2.624	3.500	.875	.375	1.688	5.000	3/4	-12	.875	.687	2.000	6	1.750	.656	.938	5.750	4.750	3.750	3.820	4.260	---	---	---	6.375	.625	7.625	.375	2.000	3.125	8.625	
5.000	2.500	1 7/8"-12 x 3.000	2 1/2"-12 x 3.000	2 1/4"-12 x 3.000	2 1/4"-12 x 4.500	15'	3.124	4.000	1.000	.375	2.062	---	---	---	---	---	---	---	---	---	---	---	---	---	---	---	---	---	---	---	---	---	---	---	---	---	---
	3.000	2 1/4"-12 x 3.500	3"-12 x 3.500	2 3/4"-12 x 3.500	2 3/4"-12 x 5.500	15'	3.749	4.500	1.000	.375	2.625	6.500	3/4	-12	.875	.937	2.000	6	1.750	.875	1.312	6.250	6.000	4.250	4.950	---	---	---	---	---	---	---	---	---	---	---	---
6.000	2.500	1 7/8"-12 x 3.000	2 1/2"-12 x 3.000	2 1/4"-12 x 3.000	2 1/4"-12 x 4.500	15'	3.124	4.000	1.000	.375	2.062	---	---	---	---	---	---	---	---	---	---	---	---	---	---	---	---	---	---	---	---	---	---	---	---	---	---
	3.500	2 1/2"-12 x 3.500	3 1/2"-12 x 3.500	3 1/4"-12 x 3.500	3 1/4"-12 x 6.500	---	4.249	5.000	1.000	.375	3.000	---	---	---	---	---	---	---	---	---	---	---	---	---	---	---	---	---	---	---	---	---	---	---	---	---	---
	4.000	3"-12 x 4.000	4"-12 x 4.000	3 3/4"-12 x 4.000	3 3/4"-12 x 7.500	---	4.749	5.625	1.000	.438	3.375	---	---	---	---	---	---	---	---	---	---	---	---	---	---	---	---	---	---	---	---	---	---	---	---	---	---

NEVA DESIGN

FILE: HP18S2.dwg REV: 09-25-06