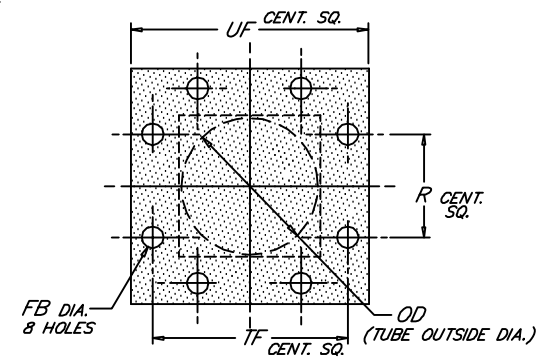
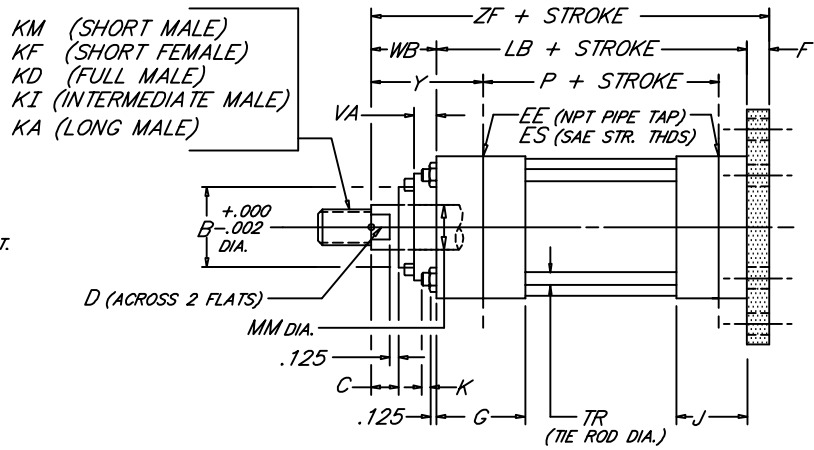
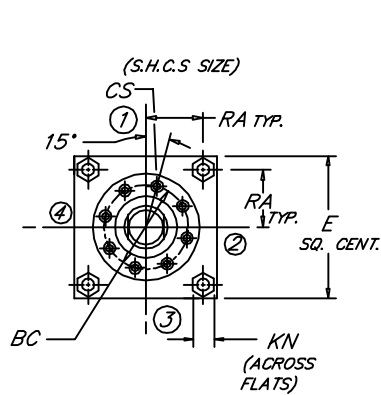
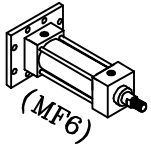


CAP SQUARE FLANGE

Heavy Duty Hydraulic Cylinder • 3000 P.S.I. Working Pressure • 5000 P.S.I. Rated Pressure

Peninsular
Mounting Style: **HP 18**



ROD		ROD THREAD X LENGTH					NPT/SAE																									
BORE	MM	KM & KF	KD	KI	KA	B	BC	C	CS	D	E	EE	ES	F	FB	G	J	K	KN	LB	OD	P	R	RA	RD	TF	TR	UF	VA	WB	Y	ZF
8.000	3.500	2 1/2"-12 x 3.500	3 1/2"-12 x 3.500	3 1/4"-12 x 3.500	3 1/4"-12 x 6.500	4.249	5.000	.375	3.000																5.562				.375			
	4.000	3"-12 x 4.000	4"-12 x 4.000	3 3/4"-12 x 4.000	3 3/4"-12 x 7.500	4.749	5.625	.438	3.375																6.500				.500			
	4.500	3 1/4"-12 x 4.500	4 1/2"-12 x 4.500	4 1/4"-12 x 4.500	4 1/4"-12 x 8.250	5.249	6.375	1.000	.500	3.875	9.500	1 1/2	-24	1.000	1.312	3.000	3.000	1.188	1.844	9.500	9.250	6.125	7.500	3.750	7.260	11.812	1.250	14.000	.500	2.250	3.938	12.750
	5.000	3 1/2"-12 x 5.000	5"-12 x 5.000	4 3/4"-12 x 5.000	4 3/4"-12 x 9.000	5.749	6.875	.500	4.250																7.750				.500			
	5.500	4"-12 x 5.500	5 1/2"-12 x 5.500	5 1/4"-12 x 5.500	5 1/4"-12 x 10.000	6.249	7.375	.500	4.625																8.260				.500			

NEVA DESIGN