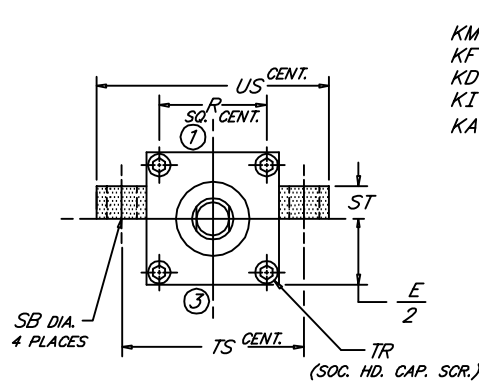
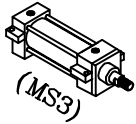


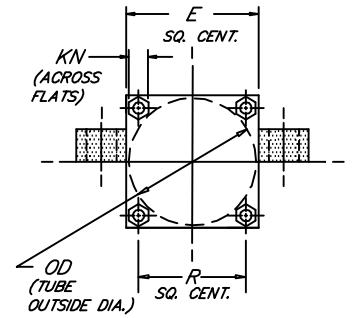
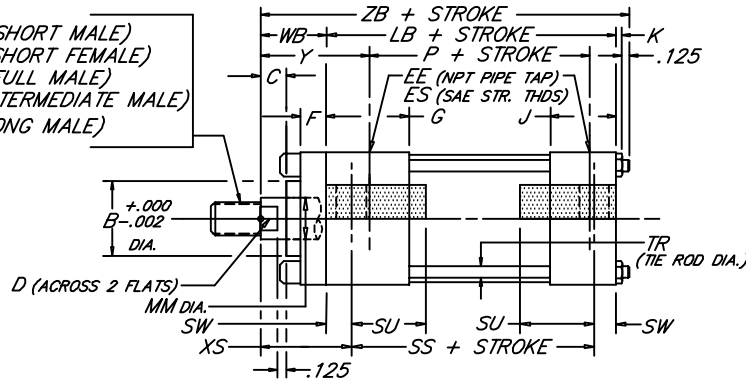
CENTERLINE LUGS

Peninsular
Mounting Style: **HP 15**

Heavy Duty Hydraulic Cylinder • 3000 P.S.I. Working Pressure • 5000 P.S.I. Rated Pressure



KM (SHORT MALE)
KF (SHORT FEMALE)
KD (FULL MALE)
KI (INTERMEDIATE MALE)
KA (LONG MALE)



6.22

BORE	ROD					ROD THREAD X LENGTH																	NPT/SAE									
	MM	KM & KF	KD	KI	KA	B	C	D	E	EE	ES	F	G	J	K	KN	LB	OD	P	R	SB	SS	ST	SU	SW	TR	TS	US	WB	XS	Y	ZB
1.500	.625	7/16"-20 x .750	5/8"-18 x .750	1/2"-20 x .750	1/2"-20 x 1.125	1.124	.375	.500	2.500	1/2	-8	.375	1.750	1.500	.406	.562	4.625	1.875	2.875	1.625	.438	3.875	.500	.938	.375	.375	3.250	4.000	1.000	1.375	2.000	6.156
	1.000	3/4"-16 x 1.125	1"-14 x 1.125	7/8"-14 x 1.125	7/8"-14 x 1.875	1.499	.500	.875	2.500	1/2	-8	.375	1.750	1.500	.406	.562	4.625	1.875	2.875	1.625	.438	3.875	.500	.938	.375	.375	3.250	4.000	1.375	1.750	2.375	6.531
2.000	1.000	3/4"-16 x 1.125	1"-14 x 1.125	7/8"-14 x 1.125	7/8"-14 x 1.875	1.499	.500	.875	3.000	1/2	-8	.625	1.750	1.500	.531	.750	4.625	2.375	2.875	2.050	.562	3.625	.750	1.250	.500	.500	4.000	5.000	1.375	1.875	2.375	6.656
	1.375	1"-14 x 1.625	1 3/8"-12 x 1.625	1 1/4"-12 x 1.625	1 1/4"-12 x 2.500	1.999	.625	1.125	3.000	1/2	-8	.625	1.750	1.500	.531	.750	4.625	2.375	2.875	2.050	.562	3.625	.750	1.250	.500	.500	4.000	5.000	1.625	2.125	2.625	6.906
2.500	1.000	3/4"-16 x 1.125	1"-14 x 1.125	7/8"-14 x 1.125	7/8"-14 x 1.875	1.499	.500	.875	3.500	1/2	-8	.625	1.750	1.500	.531	.750	4.750	3.000	3.000	2.550	.812	3.375	1.000	1.562	.6875	.500	4.875	6.250	1.375	2.062	2.375	6.781
	1.375	1"-14 x 1.625	1 3/8"-12 x 1.625	1 1/4"-12 x 1.625	1 1/4"-12 x 2.500	1.999	.625	1.125	3.500	1/2	-8	.625	1.750	1.500	.531	.750	4.750	3.000	3.000	2.550	.812	3.375	1.000	1.562	.6875	.500	4.875	6.250	1.625	2.312	2.625	7.031
3.250	1.750	1 1/4"-12 x 2.000	1 3/4"-12 x 2.000	1 1/2"-12 x 2.000	1 1/2"-12 x 3.000	2.374	.750	1.500	4.500	3/4	-12	.750	2.000	1.750	.656	.938	5.500	3.875	3.500	3.250	.812	4.125	1.000	1.562	.6875	.625	5.875	7.250	1.875	2.562	3.000	8.156
	2.000	1 1/2"-12 x 2.250	2"-12 x 2.250	1 3/4"-12 x 2.250	1 3/4"-12 x 3.500	2.624	.875	1.688	4.500	3/4	-12	.750	2.000	1.750	.656	.938	5.500	3.875	3.500	3.250	.812	4.125	1.000	1.562	.6875	.625	5.875	7.250	2.000	2.687	3.125	8.281
4.000	1.750	1 1/4"-12 x 2.000	1 3/4"-12 x 2.000	1 1/2"-12 x 2.000	1 1/2"-12 x 3.000	2.374	.750	1.500	5.000	3/4	-12	.875	2.000	1.750	.656	.938	5.750	4.750	3.750	3.820	1.062	4.000	1.250	2.000	.875	.625	6.750	8.500	1.875	2.750	3.000	8.406
	2.000	1 1/2"-12 x 2.250	2"-12 x 2.250	1 3/4"-12 x 2.250	1 3/4"-12 x 3.500	2.624	.875	1.688	5.000	3/4	-12	.875	2.000	1.750	.656	.938	5.750	4.750	3.750	3.820	1.062	4.000	1.250	2.000	.875	.625	6.750	8.500	2.000	2.875	3.125	8.531
5.000	2.500	1 7/8"-12 x 3.000	2 1/2"-12 x 3.000	2 1/4"-12 x 3.000	2 1/4"-12 x 4.500	3.124	1.000	2.062	6.500	3/4	-12	.875	2.000	1.750	.875	1.312	6.250	6.000	4.250	4.950	1.062	4.500	1.250	2.000	.875	.875	8.250	10.000	2.250	3.125	3.375	9.500
	3.000	2 1/4"-12 x 3.500	3"-12 x 3.500	2 3/4"-12 x 3.500	2 3/4"-12 x 5.500	3.749	1.000	2.625	6.500	3/4	-12	.875	2.000	1.750	.875	1.312	6.250	6.000	4.250	4.950	1.062	4.500	1.250	2.000	.875	.875	8.250	10.000	2.250	3.125	3.375	9.500
6.000	3.500	2 1/2"-12 x 3.500	3 1/2"-12 x 3.500	3 1/4"-12 x 3.500	3 1/4"-12 x 6.500	4.249	1.000	3.000	7.500	1	-16	1.000	2.250	2.250	1.000	1.500	7.375	7.000	4.875	5.730	1.312	5.125	1.500	2.500	1.125	1.000	9.750	12.000	2.250	3.375	3.500	10.750
	4.000	3"-12 x 4.000	4"-12 x 4.000	3 3/4"-12 x 4.000	3 3/4"-12 x 7.500	4.749	1.000	3.375	7.500	1	-16	1.000	2.250	2.250	1.000	1.500	7.375	7.000	4.875	5.730	1.312	5.125	1.500	2.500	1.125	1.000	9.750	12.000	2.250	3.375	3.500	10.750

NEW DESIGN

FILE: HP15S2.dwg REV: 09-25-06