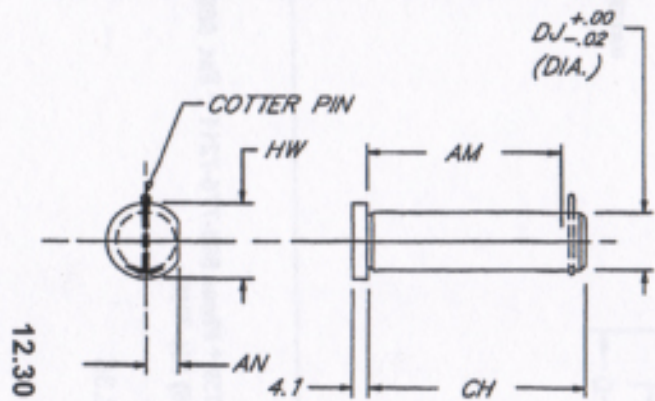


METRIC ROD CLEVIS PIN

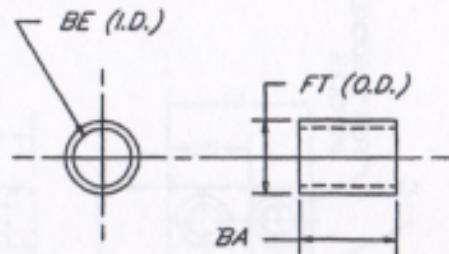
SPARE PART



12.30

METRIC PIN BUSHING

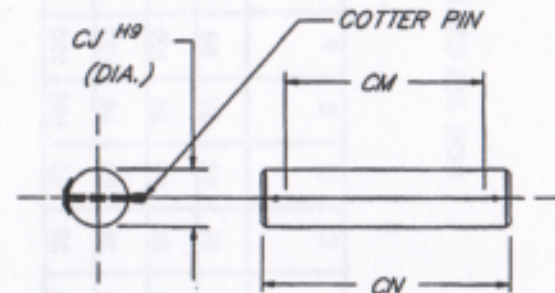
SPARE PART



MATERIAL: Nomex/Teflon Composite

METRIC REAR CLEVIS PIN

SPARE PART



NOTE:

For quality assurance a grease packet is supplied with all Metric Rear Clevis Pins.

ORDER NO.	AM	AN	CH	DJ	HW	R/E CLEVIS ASM.
F40-71	44.0	8.8	50.0	12.00	16.0	F1150-63 F1150-64
F50-71	44.0	8.8	52.0	15.00	16.0	F1200-73
F100-71	76.0	13.5	70.0	20.00	28.8	F1400-73
F160-71	76.0	16.5	84.0	25.00	35.0	F1400-63 F1400-64

ORDER NO.	BA	BE	FT	R/E CLEVIS ASM.
F40-75	20.00 19.75	12.143 12.083	17.068 17.043	F1150-63 F1150-64
F50-75	20.00 19.75	15.146 15.096	20.071 20.046	F1200-73
F100-75	30.00 29.75	20.201 20.121	25.096 25.046	F1400-73
F200-75	30.00 29.75	25.205 25.125	30.190 30.020	F1400-63 F1400-64

ORDER NO.	CJ	CM	CN	ISO REAR CLEVIS CYL.
F32-66	10.000/9.964	45.0	58.0	F 3 32
F40-66	12.000/11.957	52.0	65.0	F 3 40
F50-66	12.000/11.957	60.0	75.0	F 3 50
F63-66	16.000/15.957	70.0	85.0	F 3 63
F80-66	16.000/15.957	90.0	105.0	F 3 80
F90-66	20.000/19.948	100.0	125.0	F 3 90
F125-66	25.000/24.948	130.0	145.0	F 3 125
F160-66	30.000/29.948	170.0	185.0	F 3 160 F 3 200
F250-66	40.000/39.938	200.0	215.0	F 3 250

85-11-11-95

PENINSULAR, INC.

27650 Groesbeck Highway • Roseville, Michigan 48066-2759
Telephone: 586-775-7211 • FAX: 586-775-4545

METRIC