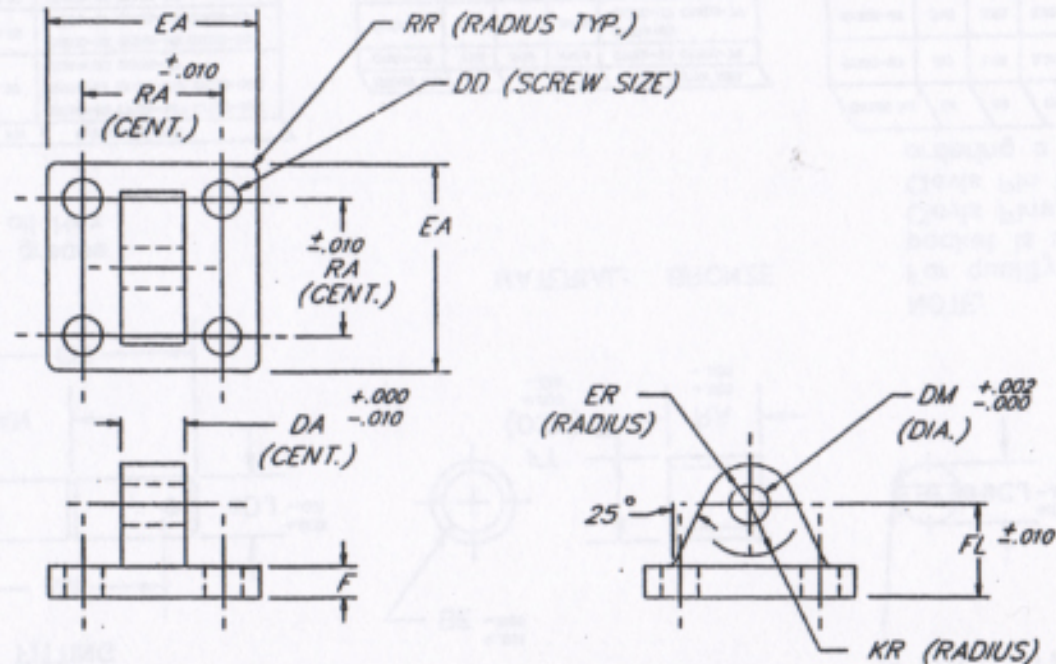


MALE EYE BRACKET

(NFPA Eye Bracket)
COMPONENT PART



11.07

ORDER NO.	DA	DD	DM	EA	ER	F	FL	KR	RA	RR	ROD END ASM. NO.	CPJ CYL. BORE
C1150-76	.750	3/8	.502	2.50	.50	.38	1.125	.52	1.625	.12	C1150-88-A C1150-99 C1150-88P-A C1150-99P C1150-88C-A C1150-99C C1200-77-A C1200-33	1.50 2.00 2.50
C1200-76	1.250	1/2	.752	3.50	.75	.62	1.875	.96	2.562	.18	C1200-88-A C1200-99 C1325-77-A C1325-33 C1400-77-A C1400-33	3.25 4.00 5.00
C1400-76	1.500	5/8	1.002	4.50	1.00	.75	2.250	1.34	3.250	.25	C1400-88-A C1400-99	6.00 8.00
C1600-76	2.000	3/4	1.377	5.00	1.38	.88	3.000	1.75	3.817	.31	C1600-88-A	10.00
C1800-76	2.500	7/8	1.752	6.50	1.75	.88	3.125	1.81	4.937	.38	C1800-88-A	

NEVA DESIGN

REV. 8-12-81

PENINSULAR, INC.

27650 Groesbeck Highway, Roseville, Michigan 48066-2759
(586) 775-7211 Fax: (586) 775-4545 Toll Free: (800) 526-7968

MEMBER
NFPA

