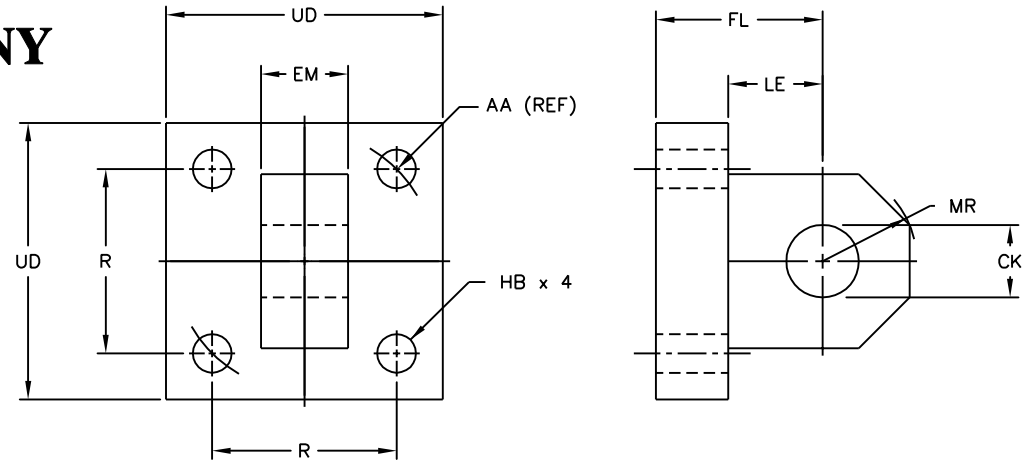


EYE BRACKET

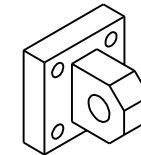
PENINSULAR[®] CYLINDER COMPANY

METRIC HIGH PRESSURE HYDRAULIC CYLINDER ACCESSORIES
 SMALL BORE SERIES – ISO 6020-2
 WORKING PRESSURE – 160 BAR (2320 PSI)
 RATED PRESSURE – 250 BAR (3625 PSI)



DIMENSIONS IN MILLIMETERS

ORDER NUMBER	TYPICAL BORE DIAMETER	TYPICAL PIN DIAMETER	NOMINAL FORCE (N)	AA (REF)	CK H9	EM H13	FL JS14	HB H13	LE (MIN)	MR (MAX)	R JS14	UD (MAX)	WEIGHT (KG)
IHP25-76	25	10.0	8 000	40.0	10.0	12.0	23.0	5.5	13.0	12.0	28.3	40.0	0.30
IHP32-76	32	12.0	12 500	47.0	12.0	16.0	29.0	6.6	19.0	17.0	33.2	45.0	0.45
IHP40-76	40	14.0	20 000	59.0	14.0	20.0	29.0	9.0	19.0	17.0	41.7	63.0	0.90
IHP50-76	50	20.0	32 000	74.0	20.0	30.0	48.0	13.5	32.0	29.0	52.3	75.0	1.30
IHP63-76	63	20.0	50 000	91.0	20.0	30.0	48.0	13.5	32.0	29.0	64.3	90.0	1.90
IHP80-76	80	28.0	80 000	117.0	28.0	40.0	59.0	17.5	39.0	34.0	82.7	115.0	4.00
IHP100-76	100	36.0	125 000	137.0	36.0	50.0	79.0	17.5	54.0	50.0	96.9	130.0	6.25
IHP125-76	125	45.0	200 000	178.0	45.0	60.0	87.0	24.0	57.0	53.0	125.9	165.0	11.40
IHP160-76	160	56.0	320 000	219.0	56.0	70.0	103.0	30.0	63.0	59.0	154.9	205.0	20.80
IHP200-76	200	70.0	500 000	269.0	70.0	80.0	132.0	33.0	82.0	78.0	190.2	245.0	38.80



ACCESSORY MOUNTING DIMENSIONS CONFORM TO ISO 8133
 ACCESSORIES ARE DESIGNED FOR, BUT NOT LIMITED TO, ISO 6020-2 HYDRAULIC CYLINDERS