

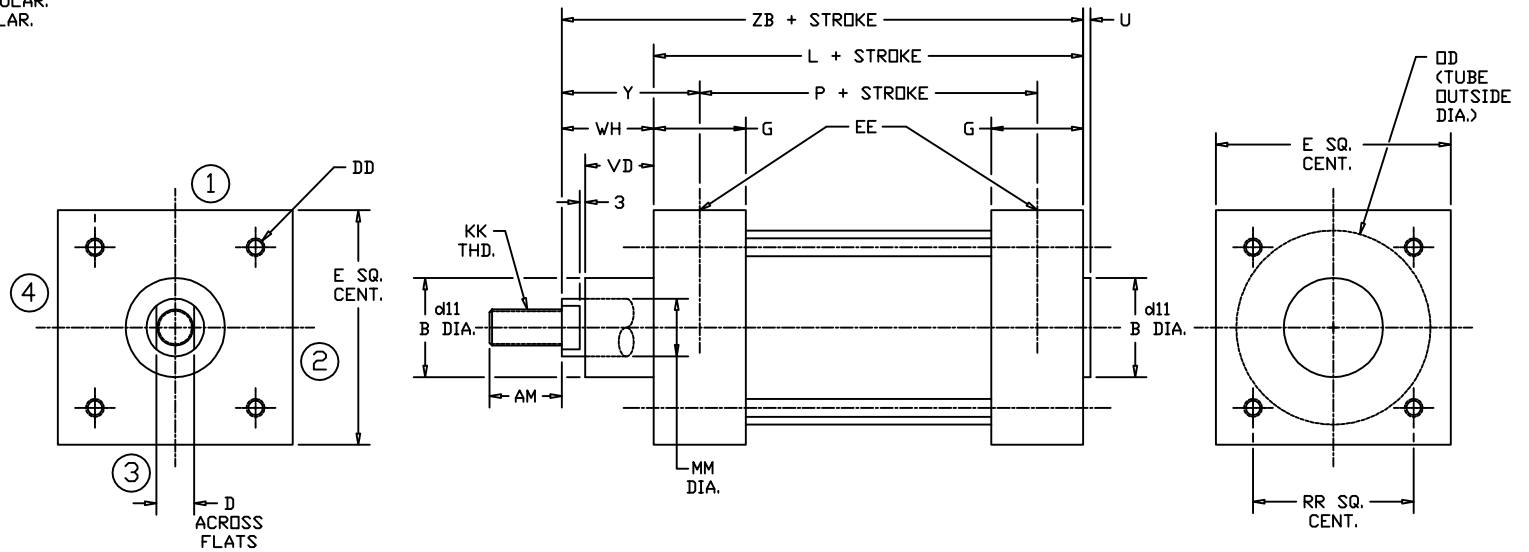
# NO MOUNT

Peninsular  
Mounting Style: **IMH 0**

## Heavy Duty Steel Air Cylinder • METRIC (DETACHABLE MOUNTINGS)

FOR BORE SIZES UP TO 1000 mm CALL PENINSULAR.  
FOR ADDITIONAL ROD SIZES AVAILABLE CALL PENINSULAR.  
FOR OPTIONAL ROD THREADS CALL PENINSULAR.  
FOR OPTIONAL PORT SIZES CALL PENINSULAR.

### ISO 15552



5.00

| BORE<br>Ø ROD<br>STANDARD<br>MALE<br>ROD THREAD | MAX. |            |    |     |                |           |            |     |     |     |       |       |     |      |    |     |     |     |     | MIN. |  |  |  |  |  |  |  |  |  |  |  |  |  |  |  |  |  |  |
|---|------|------------|----|-----|----------------|-----------|------------|-----|-----|-----|-------|-------|-----|------|----|-----|-----|-----|-----|------|--|--|--|--|--|--|--|--|--|--|--|--|--|--|--|--|--|--|
|   | MM   | KK         | AM | B   | d11            | D         | DD         | E   | EE  | G   | L     | DD    | P   | RR   | U  | VD  | WH  | Y   | ZB  |      |  |  |  |  |  |  |  |  |  |  |  |  |  |  |  |  |  |  |
| 32  | 12   | M10 x 1.25 | 22 | 30  | +0.13<br>-0.06 | 10        | M6 x 1.0   | 50  | 1/8 | 35  | 94    | 38.1  | 68  | 32.5 | 4  | 20  | 26  | 39  | 120 |      |  |  |  |  |  |  |  |  |  |  |  |  |  |  |  |  |  |  |
| 40  | 16   | M12 x 1.25 | 24 | 35  | +0.16<br>-0.08 | 13        | M6 x 1.0   | 58  | 1/4 | 39  | 105   | 44.4  | 77  | 38   | 4  | 22  | 30  | 44  | 135 |      |  |  |  |  |  |  |  |  |  |  |  |  |  |  |  |  |  |  |
| 50  | 20   | M16 x 1.5  | 32 | 40  |                | 16        | M8 x 1.25  | 70  | 1/4 | 39  | 106   | 57.1  | 78  | 46.5 | 4  | 29  | 37  | 51  | 143 |      |  |  |  |  |  |  |  |  |  |  |  |  |  |  |  |  |  |  |
| 63  | 20   | M16 x 1.5  | 32 | 45  | +0.19<br>-0.10 | 16        | M8 x 1.25  | 85  | 3/8 | 46  | 121   | 69.9  | 89  | 56.5 | 4  | 29  | 37  | 53  | 158 |      |  |  |  |  |  |  |  |  |  |  |  |  |  |  |  |  |  |  |
| 80  | 25   | M20 x 1.5  | 40 | 45  |                | 21        | M10 x 1.5  | 105 | 3/8 | 48  | 128   | 88.9  | 96  | 72   | 4  | 35  | 46  | 62  | 174 |      |  |  |  |  |  |  |  |  |  |  |  |  |  |  |  |  |  |  |
| 100   | 32   | M20 x 1.5  | 40 | 55  | +0.22<br>-0.12 | 21        | M10 x 1.5  | 130 | 1/2 | 51  | 138   | 108.0 | 102 | 89   | 4  | 38  | 51  | 69  | 189 |      |  |  |  |  |  |  |  |  |  |  |  |  |  |  |  |  |  |  |
| 125   | 32   | M27 x 2.0  | 54 | 60  |                | 27        | M12 x 1.75 | 157 | 1/2 | 62  | 160   | 133.3 | 124 | 110  | 6  | 50  | 65  | 83  | 225 |      |  |  |  |  |  |  |  |  |  |  |  |  |  |  |  |  |  |  |
| 160   | 40   | M36 x 2.0  | 72 | 65  | NEVA DESIGN    | 36        | M16 x 2.0  | 195 | 3/4 | 70  | 180   | 158.8 | 130 | 140  | 6  | 60  | 80  | 105 | 260 |      |  |  |  |  |  |  |  |  |  |  |  |  |  |  |  |  |  |  |
| 200   | 40   | M36 x 2.0  | 72 | 75  |                | 36        | M16 x 2.0  | 238 | 3/4 | 70  | 180   | 212.7 | 130 | 175  | 6  | 70  | 95  | 120 | 275 |      |  |  |  |  |  |  |  |  |  |  |  |  |  |  |  |  |  |  |
| 250   | 50   | M42 x 2.0  | 84 | 90  | 46             | M20 x 2.5 | 290        | 1   | 70  | 200 | 266.7 | 138   | 220 | 10   | 80 | 105 | 136 | 305 |     |      |  |  |  |  |  |  |  |  |  |  |  |  |  |  |  |  |  |  |
| 320   | 50   | M48 x 2.0  | 96 | 110 | 46             | M24 x 3.0 | 353        | 1   | 75  | 220 | 317.5 | 158   | 270 | 10   | 90 | 120 | 151 | 340 |     |      |  |  |  |  |  |  |  |  |  |  |  |  |  |  |  |  |  |  |