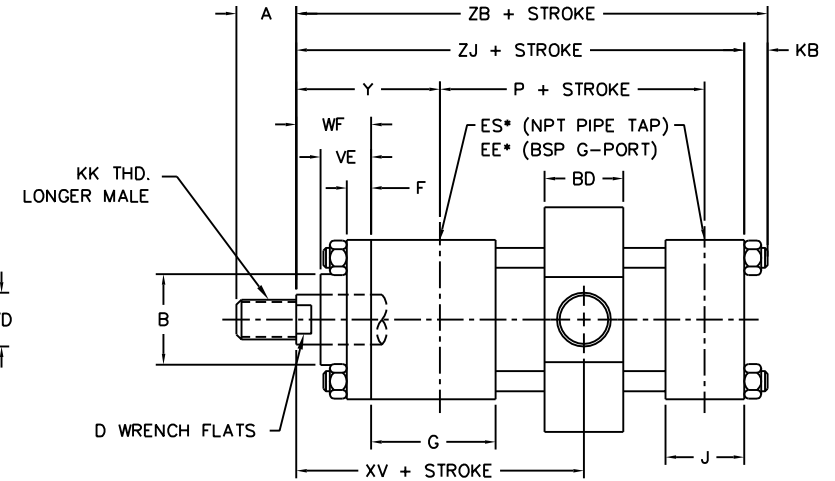
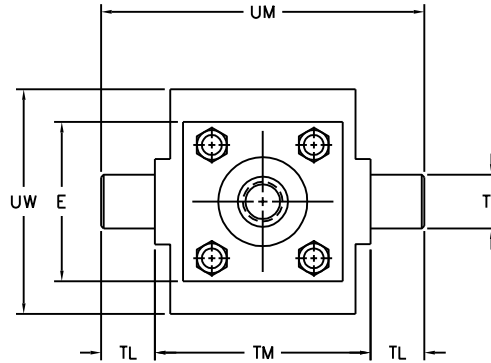


INTERMEDIATE TRUNNION PENINSULAR® CYLINDER COMPANY

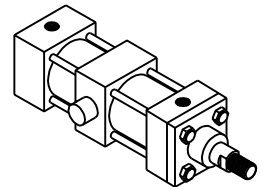
METRIC HIGH PRESSURE HYDRAULIC CYLINDER
WORKING PRESSURE - 210 BAR (3000 PSI)

NOTE:
FOR OPTIONAL ROD THREADS CALL PENINSULAR.
FOR OPTIONAL PROXIMITY SWITCH CALL PENINSULAR.
U.S. PATENT NUMBERS: 4,726,282 AND D295,753.

*FOR PORT AND CUSHION POSITIONS REFER
TO THE HOW TO ORDER PENINSULAR IHP SERIES
HIGH PRESSURE METRIC HYDRAULIC CYLINDERS.



BORE SIZE	PENINSULAR "L" STYLE SHOWN		DIMENSIONS IN MILLIMETERS																							
	ROD DIAMETER	KK THD. LONGER MALE	A	B	D	E	BSP G-PORT EE	NPT (INCHES) ES	F	G	J	KB	P	TD	TL	TM	UM	UW	VE	WF	BD	XV	Y	ZB	ZJ	
40.0	18.0	M14 x 1.5	18.0	30.0	15.0	63.0	3/8	1/2	10.0	45.0	38.0	6.5	73.0	20.0	16.0	76.0	108.0	92.0	16.0	35.0	30.0	97.0	62.0	166.0	153.0	
	28.0	M20 x 1.5	28.0	42.0	22.0				22.0	22.0	41.0	40.0	107.0	67.0	176.0	159.0										
50.0	22.0	M16 x 1.5	22.0	34.0	18.0	76.0	1/2	1/2"	16.0	45.0	38.0	10.0	74.0	25.0	20.0	89.0	129.0	112.0	22.0	25.0	48.0	40.0	114.0	71.0	185.0	168.0
	28.0	M20 x 1.5	28.0	42.0	22.0				22.0	25.0	41.0	40.0	107.0	67.0	176.0	159.0										
63.0	36.0	M27 x 2	36.0	50.0	30.0	90.0	1/2	1/2	16.0	45.0	38.0	10.0	80.0	32.0	25.0	100.0	150.0	126.0	22.0	25.0	48.0	40.0	114.0	71.0	185.0	168.0
	28.0	M20 x 1.5	28.0	42.0	22.0				22.0	25.0	41.0	40.0	107.0	67.0	176.0	159.0										
80.0	45.0	M33 x 2	45.0	60.0	39.0	115.0	3/4	3/4	20.0	50.0	45.0	13.0	93.0	40.0	32.0	127.0	191.0	160.0	29.0	51.0	50.0	127.0	77.0	212.0	190.0	
	56.0	M42 x 2	56.0	72.0	48.0				29.0	29.0	57.0	50.0	138.0	82.0	225.0	203.0										
100.0	45.0	M33 x 2	45.0	60.0	39.0	130.0	3/4	3/4"	22.0	50.0	45.0	13.0	101.0	50.0	40.0	140.0	220.0	180.0	29.0	57.0	60.0	138.0	82.0	225.0	203.0	
	56.0	M42 x 2	56.0	72.0	48.0				29.0	29.0	57.0	60.0	138.0	82.0	225.0	203.0										
125.0	70.0	M48 x 2	63.0	88.0	62.0	165.0	1	3/4"	22.0	58.0	58.0	18.0	117.0	63.0	50.0	178.0	278.0	215.0	29.0	57.0	73.0	153.0	86.0	260.0	232.0	
	90.0	M64 x 3	85.0	108.0	80.0				32.0	32.0	57.0	90.0	161.0	86.0	279.0	245.0										
160.0	70.0	M48 x 2	63.0	88.0	62.0	205.0	1	1"	25.0	58.0	58.0	22.0	130.0	80.0	63.0	215.0	341.0	260.0	32.0	57.0	90.0	161.0	86.0	279.0	245.0	
	90.0	M64 x 3	85.0	108.0	80.0				32.0	32.0	57.0	90.0	161.0	86.0	279.0	245.0										
200.0	110.0	M80 x 3	95.0	133.0	100.0	245.0	1 1/4	1 1/2"	25.0	76.0	76.0	24.0	165.0	100.0	80.0	279.0	439.0	355.0	32.0	57.0	110.0	190.0	98.0	336.0	299.0	
	140.0	M100 x 3	112.0	163.0	128.0				32.0	32.0	57.0	110.0	190.0	98.0	336.0	299.0										



IHP 6 (MT4)

ISO 6020-2

27650 Groesbeck Highway Roseville Michigan 48066-2759 Telephone: 586-775-7211 Fax: 586-775-4545

Toll Free: 800-526-7968 Internet: <http://www.peninsularcylinders.com> Email: sales@peninsularcylinders.com

REL. 1-15-2003

