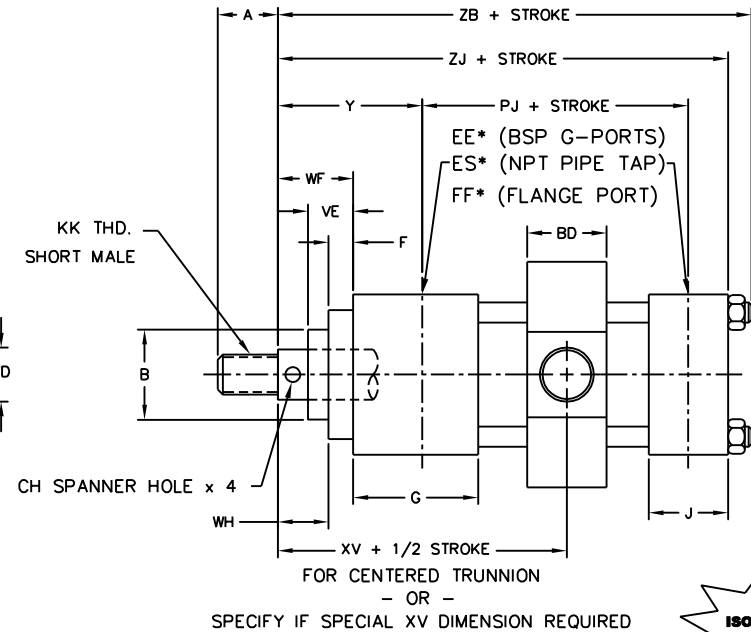
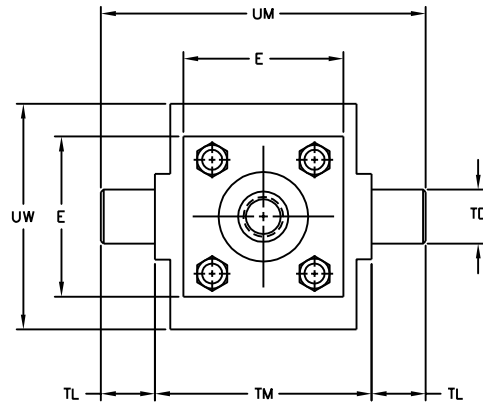


INTERMEDIATE TRUNNION PENINSULAR® CYLINDER COMPANY

METRIC HIGH PRESSURE HYDRAULIC CYLINDER
LARGE BORE SERIES - ISO 6020-3
WORKING PRESSURE - 160 BAR (2320 PSI)
RATED PRESSURE - 250 BAR (3625 PSI)

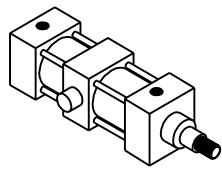
NOTE:
FOR OTHER ROD END THREADS, REFER TO THE HOW TO ORDER SERIES IHP HIGH PRESSURE HYDRAULIC CYLINDERS (LARGE BORE SERIES) INFORMATION GUIDE.
FOR SENSING OPTIONS CONTACT PENINSULAR.

*FOR PORT AND CUSHION POSITIONS, REFER TO THE HOW TO ORDER SERIES IHP HIGH PRESSURE HYDRAULIC CYLINDERS (LARGE BORE SERIES) INFORMATION GUIDE.



PENINSULAR "M" STYLE SHOWN

BORE SIZE	ROD DIAMETER	KK THD. SHORT MALE	DIMENSIONS IN MILLIMETERS																								
			A	B f9	BD	CH	E	EE	ES	FF**	F	G	J	PJ	TD f8	TL	TM	UM	UW (MAX)	VE	WF	WH	XV (MIN)	Y	ZB	ZJ	MINIMUM STROKE
250	140.0	M100 x 3	112.0	163.0	146.0	15.0	320.0	1 1/2"	2"	DN 51	25.0	94.0	94.0	216.0	125.0	100.0	380.0	580.0	480.0	83.0	110.0	85.0	279.0	157.0	505.0	420.0	28.0
	160.0	M110 x 3	112.0	185.0																							
	180.0	M125 x 4	125.0	205.0																							
320	180.0	M125 x 4	125.0	205.0	180.0	15.0	400.0	1 1/2"	2 1/2"	DN 64	35.0	114.0	114.0	251.0	160.0	125.0	485.0	735.0	600.0	83.0	110.0	75.0	316.0	167.0	580.0	475.0	47.0
	200.0	M140 x 4	140.0	225.0																							
	220.0	M160 x 4	160.0	245.0																							
360	180.0	M125 x 4	125.0	205.0	200.0	15.0	450.0	2"	2 1/2"	DN 64	42.0	124.0	124.0	296.0	180.0	145.0	545.0	835.0	675.0	83.0	110.0	68.0	336.0	172.0	640.0	530.0	32.0
	220.0	M160 x 4	160.0	245.0																							
	250.0	M180 x 4	180.0	275.0																							
400	220.0	M160 x 4	160.0	245.0	220.0	15.0	500.0	2"	2 1/2"	DN 64	50.0	150.0	150.0	320.0	200.0	160.0	605.0	925.0	750.0	83.0	110.0	60.0	372.0	185.0	685.0	580.0	54.0
	250.0	M180 x 4	180.0	275.0																							
	280.0	M200 x 4	200.0	305.0																							
500	280.0	M200 x 4	200.0	305.0	270.0	15.0	630.0	2"	2 1/2"	DN 64	70.0	200.0	200.0	400.0	250.0	200.0	745.0	1145.0	945.0	83.0	110.0	40.0	447.0	210.0	825.0	710.0	74.0
	320.0	M220 x 4	220.0	345.0																							
	360.0	M250 x 6	250.0	385.0																							



IHP 6 (MT4)
ISO 6020-3

** PER ISO 6162

