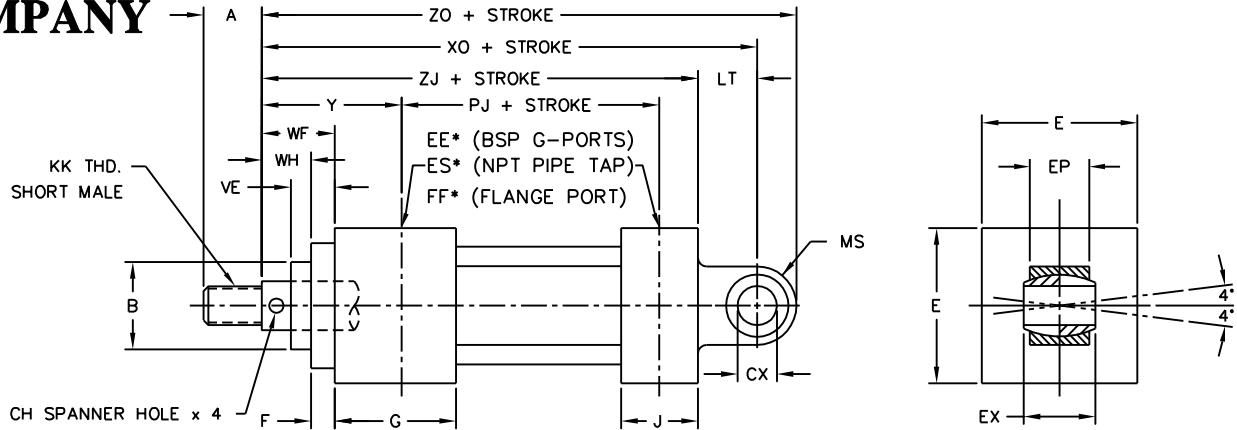


REAR SPHERICAL MOUNT PENINSULAR® CYLINDER COMPANY

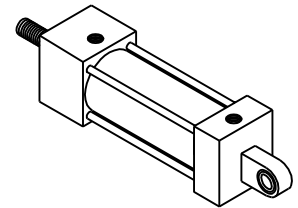
METRIC HIGH PRESSURE HYDRAULIC CYLINDER
LARGE BORE SERIES – ISO 6020-3
WORKING PRESSURE – 160 BAR (2320 PSI)
RATED PRESSURE – 250 BAR (3625 PSI)

NOTE:
FOR OTHER ROD END THREADS, REFER TO THE HOW TO ORDER SERIES IHP HIGH PRESSURE HYDRAULIC CYLINDERS (LARGE BORE SERIES) INFORMATION GUIDE.
FOR SENSING OPTIONS CONTACT PENINSULAR.
*FOR PORT AND CUSHION POSITIONS, REFER TO THE HOW TO ORDER SERIES IHP HIGH PRESSURE HYDRAULIC CYLINDERS (LARGE BORE SERIES) INFORMATION GUIDE.



BORE SIZE	ROD DIAMETER	PENINSULAR "M" STYLE SHOWN		DIMENSIONS IN MILLIMETERS																					
		KK THD. SHORT MALE	A	B f9	CH	CX	E	EP	EX	G PORT	NPT (INCHES)	FLANGE PORT	FF **	F	G	J	LT	MS	PJ	VE	WF	WH	XO	Y	ZO
250	140.0	M100 x 3	112.0	163.0	15.0	125.0	320.0	102.0	125.0	1 1/2"	2"	DN 51	25.0	94.0	94.0	160.0	160.0	216.0	83.0	110.0	85.0	580.0	157.0	740.0	420.0
	160.0	M110 x 3	112.0	185.0						2"	DN 51	25.0	94.0	94.0	160.0	160.0	216.0	83.0	110.0	85.0	580.0	157.0	740.0	420.0	
	180.0	M125 x 4	125.0	205.0						2"	DN 51	25.0	94.0	94.0	160.0	160.0	216.0	83.0	110.0	85.0	580.0	157.0	740.0	420.0	
320	180.0	M125 x 4	125.0	205.0	15.0	160.0	400.0	130.0	160.0	1 1/2"	2 1/2"	DN 64	35.0	114.0	114.0	200.0	200.0	251.0	83.0	110.0	75.0	675.0	167.0	875.0	475.0
	200.0	M140 x 4	140.0	225.0						2 1/2"	DN 64	35.0	114.0	114.0	200.0	200.0	251.0	83.0	110.0	75.0	675.0	167.0	875.0	475.0	
	220.0	M160 x 4	160.0	245.0						2 1/2"	DN 64	35.0	114.0	114.0	200.0	200.0	251.0	83.0	110.0	75.0	675.0	167.0	875.0	475.0	
360	180.0	M125 x 4	125.0	205.0	15.0	160.0	450.0	130.0	160.0	2"	2 1/2"	DN 64	42.0	124.0	124.0	200.0	200.0	296.0	83.0	110.0	68.0	730.0	172.0	930.0	530.0
	220.0	M160 x 4	160.0	245.0						2 1/2"	DN 64	42.0	124.0	124.0	200.0	200.0	296.0	83.0	110.0	68.0	730.0	172.0	930.0	530.0	
	250.0	M180 x 4	180.0	275.0						2 1/2"	DN 64	42.0	124.0	124.0	200.0	200.0	296.0	83.0	110.0	68.0	730.0	172.0	930.0	530.0	
400	220.0	M160 x 4	160.0	245.0	15.0	200.0	500.0	162.0	200.0	2"	2 1/2"	DN 64	50.0	150.0	150.0	250.0	250.0	320.0	83.0	110.0	60.0	830.0	185.0	1080.0	580.0
	250.0	M180 x 4	180.0	275.0						2 1/2"	DN 64	50.0	150.0	150.0	250.0	250.0	320.0	83.0	110.0	60.0	830.0	185.0	1080.0	580.0	
	280.0	M200 x 4	200.0	305.0						2 1/2"	DN 64	50.0	150.0	150.0	250.0	250.0	320.0	83.0	110.0	60.0	830.0	185.0	1080.0	580.0	
500	280.0	M200 x 4	200.0	305.0	15.0	250.0	630.0	192.0	250.0	2"	2 1/2"	DN 64	70.0	200.0	200.0	320.0	320.0	400.0	83.0	110.0	40.0	1030.0	210.0	1350.0	710.0
	320.0	M220 x 4	220.0	345.0						2 1/2"	DN 64	70.0	200.0	200.0	320.0	320.0	400.0	83.0	110.0	40.0	1030.0	210.0	1350.0	710.0	
	360.0	M250 x 6	250.0	385.0						2 1/2"	DN 64	70.0	200.0	200.0	320.0	320.0	400.0	83.0	110.0	40.0	1030.0	210.0	1350.0	710.0	

** PER ISO 6162



IHP 22 (MP5)

ISO 6020-3

27650 Groesbeck Highway Roseville Michigan 48066-2759 Telephone: 586-775-7211 Fax: 586-775-4545

Toll Free: 800-526-7968 Internet: <http://www.peninsularcylinders.com> Email: sales@peninsularcylinders.com

REL. 07-08-02

MEMBER
NFPA

