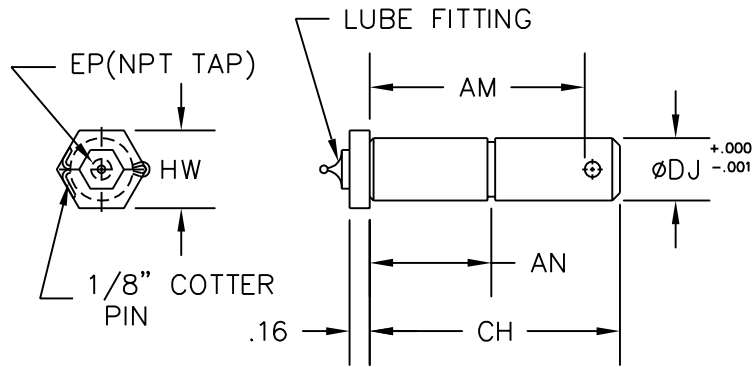


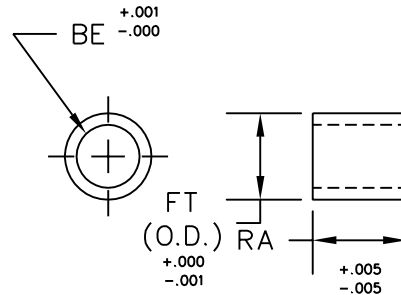
HEX HEAD
CLEVIS PIN
SPARE PART



NOTE:
For quality assurance a grease packet is supplied with all Hex Head Clevis Pins.

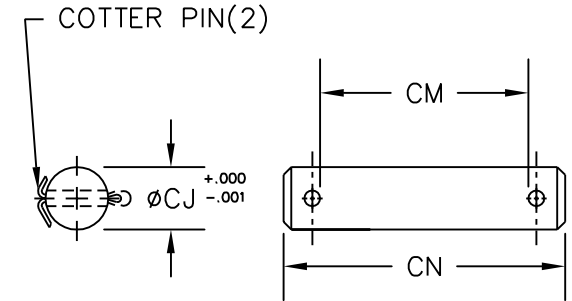
ORDER NO.	AM	AN	CH	DJ	EP	HW	R/E CLEVIS ASM.
C1150-71	1.78	.94	2.00	.500	1/4"-28	.62	C1150-88 C1150-88P C1150-88C C1150-99 C1150-99P C1150-99C C1200-33 C1200-77
C1200-71	2.52	1.31	2.74	.750	1/8"-27	1.00	C1200-88 C1200-99 C1325-33 C1325-77 C1400-33 C1400-77
C1400-71	3.02	1.56	3.24	1.000	1/8"-27	1.25	C1400-88 C1400-99
C1600-71	4.02	2.06	4.24	1.375	1/8"-27	1.62	C1600-88 C1600-99
C1800-71	5.02	2.56	5.24	1.750	1/8"-27	2.18	C1800-88 C1800-99

PIN
BUSHING
SPARE PART



MATERIAL: BRONZE

STRAIGHT
CLEVIS PIN
SPARE PART



NOTE:
For quality assurance a grease packet is supplied with all Straight Clevis Pins. An optional Straight Clevis Pin is NOT included when ordering a CP3 rear Clevis cylinder.

ORDER NO.	CJ	CM	CN	R/E CLEVIS ASM.	CP or Lean Rear Clevis
C1150-66	.500	1.79	2.25	C1150-88-A C1150-88P-A C1150-88C-A C1200-77-A	CP3150, 3200 CP3250
C1200-66	.750	2.53	2.98	C1200-88-A C1325-77-A C1400-77-A	CP3325, 3400 CP3500
C1400-66	1.000	3.03	3.48	C1400-88-A	CP3600/3800
C1600-66	1.375	4.05	4.66	C1600-88-A	CP31000
C1800-66	1.750	5.02	5.66	C1800-88-A	CP31200
C1900-66	2.000	5.08	5.72	C1900-86 C1900-86G	-
C1901-66	2.500	6.09	6.78	C1901-86	-
C1902-66	3.000	6.09	6.84	C1902-86	-
C1904-66	3.500	8.09	8.97	C1904-86	-
C1906-66	4.000	9.09	9.97	C1906-86	-

PENINSULAR® CYLINDER COMPANY

27650 Groesbeck Highway Roseville Michigan 48066-2759

Telephone: 586-775-7211

Fax: 586-775-4545

Toll Free: 800-526-7968

Internet: <http://www.peninsularcylinders.com>

Email: sales@peninsularcylinders.com

REV. 04-14-03

MEMBER
NFPA

