

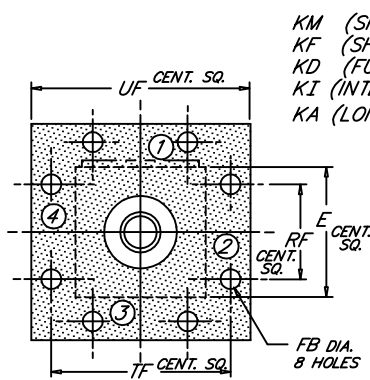
# HEAD SQUARE FLANGE

Low Pressure Steel Hydraulic Cylinder

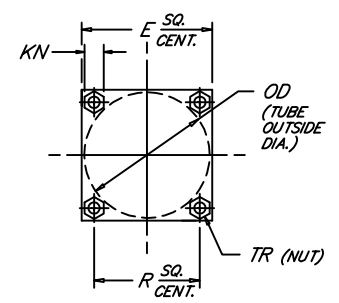
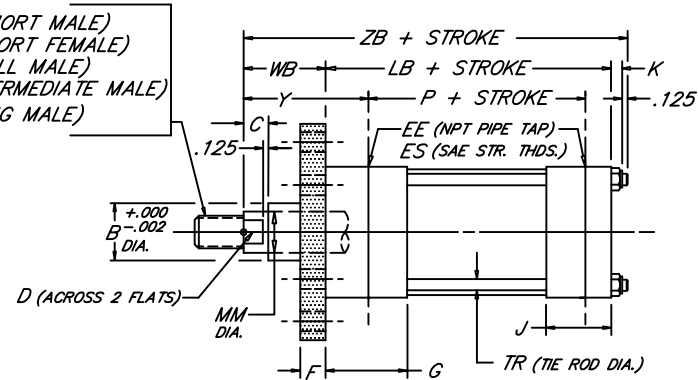
Peninsular Mounting Style:

# LH 17

BORE	WORKING P.S.I.	RATED P.S.I.
1.50	1500	2500
2.00	1500	2500
2.50	1000	1500
3.25	1000	1500
4.00	1000	1500
5.00	800	1200
6.00	800	1200



- KM (SHORT MALE)
- KF (SHORT FEMALE)
- KD (FULL MALE)
- KI (INTERMEDIATE MALE)
- KA (LONG MALE)



4.17

BORE	ROD					NPT/SAE																							
	MM	ROD THREAD X LENGTH				B	C	D	E	EE	ES	F	FB	G	J	K	KN	LB	OD	P	R	RF	TF	TR	UF	WB	Y	ZB	
1.500	.625	7/16"-20 x .750	5/8"-18 x .750	1/2"-20 x .750	1/2"-20 x 1.125	1.124	.375	.500	2.000	3/8	-6	.375	.312	1.500	1.000	.344	.500	3.625	1.750	2.335	1.478	1.428	2.750	.312	3.375	1.000	1.875	5.094	
	1.000	3/4"-16 x 1.125	1"-14 x 1.125	7/8"-14 x 1.125	7/8"-14 x 1.875	1.499	.500	.875																		1.375	2.250	5.469	
	1.375	1"-14 x 1.625	1 1/8"-12 x 1.625	1 1/4"-12 x 1.625	1 1/4"-12 x 2.500	1.999	.625	1.125																			1.625	2.500	5.781
2.000	.625	7/16"-20 x .750	5/8"-18 x .750	1/2"-20 x .750	1/2"-20 x 1.125	1.124	.375	.500																			1.000	1.875	5.156
	1.000	3/4"-16 x 1.125	1"-14 x 1.125	7/8"-14 x 1.125	7/8"-14 x 1.875	1.499	.500	.875	2.500	3/8	-6	.375	.375	1.500	1.000	.406	.562	3.625	2.375	2.335	1.966	1.838	3.375	.375	4.125	1.375	2.250	5.531	
	1.375	1"-14 x 1.625	1 1/8"-12 x 1.625	1 1/4"-12 x 1.625	1 1/4"-12 x 2.500	1.999	.625	1.125																			1.625	2.500	5.906
2.500	.625	7/16"-20 x .750	5/8"-18 x .750	1/2"-20 x .750	1/2"-20 x 1.125	1.124	.375	.500																			1.000	1.875	5.281
	1.000	3/4"-16 x 1.125	1"-14 x 1.125	7/8"-14 x 1.125	7/8"-14 x 1.875	1.499	.500	.875	3.000	3/8	-6	.375	.375	1.500	1.000	.406	.562	3.750	2.875	2.460	2.320	2.192	3.875	.375	4.625	1.375	2.250	5.656	
	1.375	1"-14 x 1.625	1 1/8"-12 x 1.625	1 1/4"-12 x 1.625	1 1/4"-12 x 2.500	1.999	.625	1.125																			1.625	2.500	5.906
3.250	1.750	1 1/4"-12 x 2.000	1 3/4"-12 x 2.000	1 1/2"-12 x 2.000	1 1/2"-12 x 3.000	2.374	.750	1.500																			1.875	2.750	6.156
	1.000	3/4"-16 x 1.125	1"-14 x 1.125	7/8"-14 x 1.125	7/8"-14 x 1.875	1.499	.500	.875																			1.375	2.375	6.281
	1.375	1"-14 x 1.625	1 1/8"-12 x 1.625	1 1/4"-12 x 1.625	1 1/4"-12 x 2.500	1.999	.625	1.125	3.750	1/2	-8	.625	.438	1.750	1.250	.531	.750	4.250	3.625	2.750	2.942	2.758	4.688	.500	5.500	1.625	2.625	6.531	
4.000	1.750	1 1/4"-12 x 2.000	1 3/4"-12 x 2.000	1 1/2"-12 x 2.000	1 1/2"-12 x 3.000	2.374	.750	1.500																			1.875	2.875	6.781
	2.000	1 1/2"-12 x 2.250	2"-12 x 2.250	1 3/4"-12 x 2.250	1 3/4"-12 x 3.500	2.624	.875	1.688																			2.000	3.000	6.906
	2.500	1 7/8"-12 x 3.000	2 1/2"-12 x 3.000	2 1/4"-12 x 3.000	2 1/4"-12 x 4.500	3.124	1.000	2.062																			2.250	3.250	7.156
5.000	1.000	3/4"-16 x 1.125	1"-14 x 1.125	7/8"-14 x 1.125	7/8"-14 x 1.875	1.499	.500	.875																			1.375	2.375	6.656
	1.375	1"-14 x 1.625	1 1/8"-12 x 1.625	1 1/4"-12 x 1.625	1 1/4"-12 x 2.500	1.999	.625	1.125																			1.625	2.625	6.906
	1.750	1 1/4"-12 x 2.000	1 3/4"-12 x 2.000	1 1/2"-12 x 2.000	1 1/2"-12 x 3.000	2.374	.750	1.500																			1.875	2.875	7.156
	2.000	1 1/2"-12 x 2.250	2"-12 x 2.250	1 3/4"-12 x 2.250	1 3/4"-12 x 3.500	2.624	.875	1.688	5.500	1/2	-8	.625	.562	1.750	1.250	.656	.938	4.500	5.375	3.000	4.285	4.101	6.625	.625	7.625	2.000	3.000	7.281	
	2.500	1 7/8"-12 x 3.000	2 1/2"-12 x 3.000	2 1/4"-12 x 3.000	2 1/4"-12 x 4.500	3.124	1.000	2.062																			2.250	3.250	7.531
	3.000	2 1/4"-12 x 3.500	3"-12 x 3.500	2 3/4"-12 x 3.500	2 3/4"-12 x 5.500	3.749	1.000	2.625																			2.250	3.250	7.531
6.000	3.500	2 1/2"-12 x 3.500	3 1/2"-12 x 3.500	3 1/4"-12 x 3.500	3 1/4"-12 x 6.500	4.249	1.000	3.000																			2.250	3.250	7.531
	1.375	1"-14 x 1.625	1 1/8"-12 x 1.625	1 1/4"-12 x 1.625	1 1/4"-12 x 2.500	1.999	.625	1.125																			1.625	2.750	7.406
	1.750	1 1/4"-12 x 2.000	1 3/4"-12 x 2.000	1 1/2"-12 x 2.000	1 1/2"-12 x 3.000	2.374	.750	1.500																			1.875	3.000	7.656
	2.000	1 1/2"-12 x 2.250	2"-12 x 2.250	1 3/4"-12 x 2.250	1 3/4"-12 x 3.500	2.624	.875	1.688																			2.000	3.125	7.781
	2.500	1 7/8"-12 x 3.000	2 1/2"-12 x 3.000	2 1/4"-12 x 3.000	2 1/4"-12 x 4.500	3.124	1.000	2.062	6.500	3/4	-12	.750	.562	2.000	1.500	.656	.938	5.000	6.375	3.250	4.992	4.879	7.625	.625	8.625	2.250	3.375	8.031	
	3.000	2 1/4"-12 x 3.500	3"-12 x 3.500	2 3/4"-12 x 3.500	2 3/4"-12 x 5.500	3.749	1.000	2.625																			2.250	3.375	8.031
BORE	MM	KM & KF	KD	KI	KA	B	C	D	E	EE	ES	F	FB	G	J	K	KN	LB	OD	P	R	RF	TF	TR	UF	WB	Y	ZB	

NEVA DESIGN

FILE: 4.17\_LH17s2.dwg REV: 02/09/2010

27650 Groesbeck Hwy • Roseville, MI 48066-2759 • Phone 586.775.7211 • Fax 586.775.4545 • Toll Free 800.526.7968 • e-mail: sales@peninsularcylinders.com • www.peninsularcylinders.com