

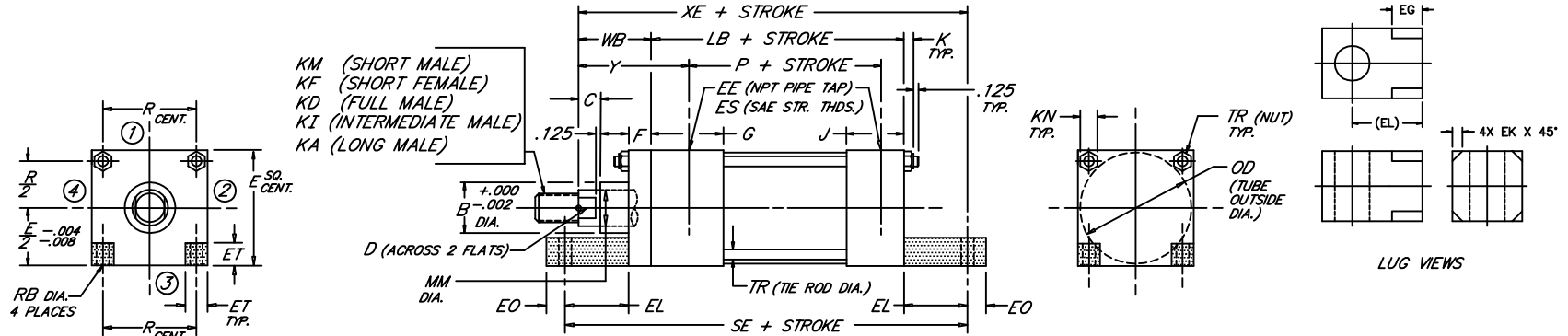
# END LUGS

Low Pressure Steel Hydraulic Cylinder

BORE	1.50	2.00	2.50	3.25	4.00	5.00	6.00
WORKING P.S.I.	1500	1500	1000	1000	1000	800	800
RATED P.S.I.	2500	2500	1500	1500	1500	1200	1200

Peninsular Mounting Style:

# LH 14



BORE	ROD					NPT/SAE																											
	MM	ROD THREAD X LENGTH				B	C	D	E	EE	ES	EG	EK	EL	EO	ET	F	G	J	K	KN	LB	OD	P	R	RB	SE	TR	WB	XE	Y		
1.500	.625	7/16"-20 x .750	5/8"-18 x .750	1/2"-20 x .750	1/2"-20 x 1.125	1.124	.375	.500	2.000	3/8	-6	---	---	.750	.250	.562	.375	1.500	1.000	.344	.500	3.625	1.750	2.335	1.43	.312	5.500	.312	1.000	5.375	1.875		
	1.000	3/4"-16 x 1.125	1"-14 x 1.125	7/8"-14 x 1.125	7/8"-14 x 1.875	1.499	.500	.875	---	---	---	.620	.190	---	---	---	---	---	---	---	---	---	---	---	---	---	---	---	---	---	---	---	
2.000	.625	7/16"-20 x .750	5/8"-18 x .750	1/2"-20 x .750	1/2"-20 x 1.125	1.124	.375	.500	---	---	---	---	---	---	---	---	---	---	---	---	---	---	---	---	---	---	---	---	---	---	---	---	
	1.000	3/4"-16 x 1.125	1"-14 x 1.125	7/8"-14 x 1.125	7/8"-14 x 1.875	1.499	.500	.875	2.500	3/8	-6	---	---	.938	.312	.625	.375	1.500	1.000	.406	.562	3.625	2.375	2.335	1.84	.375	5.875	.375	1.375	5.938	2.250		
2.500	.625	7/16"-20 x .750	5/8"-18 x .750	1/2"-20 x .750	1/2"-20 x 1.125	1.124	.375	.500	---	---	---	---	---	---	---	---	---	---	---	---	---	---	---	---	---	---	---	---	---	---	---	---	
	1.375	1"-14 x 1.625	1 3/8"-12 x 1.625	1 1/4"-12 x 1.625	1 1/4"-12 x 2.500	1.999	.625	1.125	3.000	3/8	-6	---	---	1.062	.312	.781	.375	1.500	1.000	.406	.562	3.750	2.875	2.460	2.19	.375	6.250	.375	1.625	6.438	2.500		
3.250	1.000	3/4"-16 x 1.125	1"-14 x 1.125	7/8"-14 x 1.125	7/8"-14 x 1.875	1.499	.500	.875	---	---	---	---	---	---	---	---	---	---	---	---	---	---	---	---	---	---	---	---	---	---	---	---	
	1.375	1"-14 x 1.625	1 3/8"-12 x 1.625	1 1/4"-12 x 1.625	1 1/4"-12 x 2.500	1.999	.625	1.125	3.750	1/2	-8	---	---	.875	.375	1.000	.625	1.750	1.250	.531	.750	4.250	3.625	2.750	2.76	.438	6.625	.500	1.625	6.750	2.625		
4.000	1.750	1 1/4"-12 x 2.000	1 3/4"-12 x 2.000	1 1/2"-12 x 2.000	1 1/2"-12 x 3.000	2.374	.750	1.500	---	---	---	---	---	---	---	---	---	---	---	---	---	---	---	---	---	---	---	---	---	---	---	---	
	2.000	1 1/2"-12 x 2.250	2"-12 x 2.250	1 3/4"-12 x 2.250	1 3/4"-12 x 3.500	2.624	.875	1.688	4.500	1/2	-8	---	---	---	---	---	---	---	---	---	---	---	---	---	---	---	---	---	---	---	---	---	---
5.000	1.000	3/4"-16 x 1.125	1"-14 x 1.125	7/8"-14 x 1.125	7/8"-14 x 1.875	1.499	.500	.875	---	---	---	---	---	---	---	---	---	---	---	---	---	---	---	---	---	---	---	---	---	---	---	---	---
	1.375	1"-14 x 1.625	1 3/8"-12 x 1.625	1 1/4"-12 x 1.625	1 1/4"-12 x 2.500	1.999	.625	1.125	5.500	1/2	-8	---	---	---	---	---	---	---	---	---	---	---	---	---	---	---	---	---	---	---	---	---	---
6.000	1.750	1 1/4"-12 x 2.000	1 3/4"-12 x 2.000	1 1/2"-12 x 2.000	1 1/2"-12 x 3.000	2.374	.750	1.500	---	---	---	---	---	---	---	---	---	---	---	---	---	---	---	---	---	---	---	---	---	---	---	---	---
	2.000	1 1/2"-12 x 2.250	2"-12 x 2.250	1 3/4"-12 x 2.250	1 3/4"-12 x 3.500	2.624	.875	1.688	---	---	---	---	---	---	---	---	---	---	---	---	---	---	---	---	---	---	---	---	---	---	---	---	---

4.14

NEW DESIGN