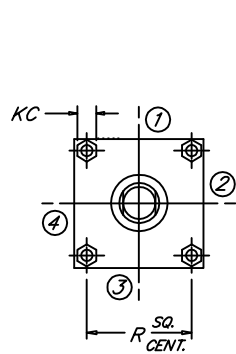


# HEAD & CAP TIE ROD EXTENDED

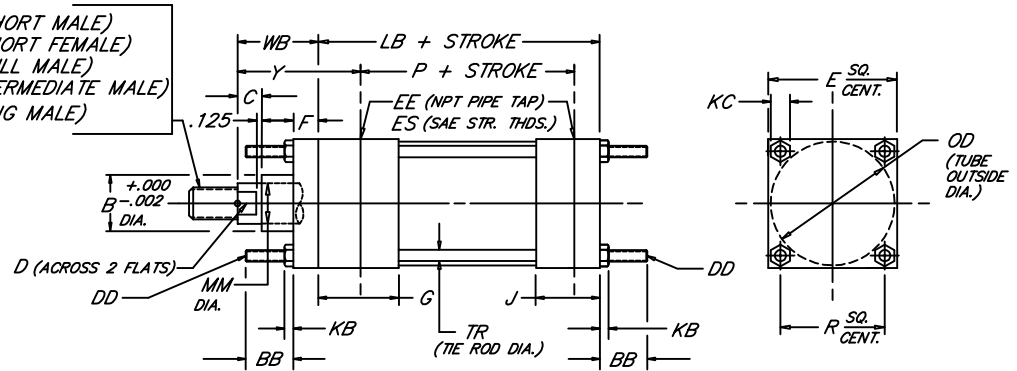
Peninsular  
Mounting Style: LH 12

Low Pressure Steel Hydraulic Cylinder

BORE	WORKING P.S.I.	RATED P.S.I.
1.50	1500	2500
2.00	1500	2500
2.50	1000	1500
3.25	1000	1500
4.00	1000	1500
5.00	800	1200
6.00	800	1200



KM (SHORT MALE)  
KF (SHORT FEMALE)  
KD (FULL MALE)  
KI (INTERMEDIATE MALE)  
KA (LONG MALE)



BORE	ROD					NPT/SAE																			
	MM	KM & KF		KD	KI	KA	B	BB	C	D	DD	E	EE	ES	F	G	J	KB	KC	LB	OD	P	R	TR	WB
1.500	.625	7/16"-20 x .750	5/8"-18 x .750	1/2"-20 x .750	1/2"-20 x 1.125	1.124	1.000	.375	.500	1/4"-28	2.000	3/8	-6	.375	1.500	1.000	.218	.438	3.625	1.750	2.335	1.428	.250	1.000	1.875
	1.000	3/4"-16 x 1.125	1"-14 x 1.125	7/8"-14 x 1.125	7/8"-14 x 1.875	1.499	1.125	.500	.875	5/16"-24	2.500	3/8	-6	.375	1.500	1.000	.250	.500	3.625	2.250	2.335	1.838	.312	1.375	2.250
2.000	.625	7/16"-20 x .750	5/8"-18 x .750	1/2"-20 x .750	1/2"-20 x 1.125	1.124	1.000	.375	.500	1/4"-28	2.000	3/8	-6	.375	1.500	1.000	.218	.438	3.625	1.750	2.335	1.428	.250	1.000	1.875
	1.000	3/4"-16 x 1.125	1"-14 x 1.125	7/8"-14 x 1.125	7/8"-14 x 1.875	1.499	1.125	.500	.875	5/16"-24	2.500	3/8	-6	.375	1.500	1.000	.250	.500	3.625	2.250	2.335	1.838	.312	1.375	2.250
2.500	.625	7/16"-20 x .750	5/8"-18 x .750	1/2"-20 x .750	1/2"-20 x 1.125	1.124	1.000	.375	.500	1/4"-28	2.000	3/8	-6	.375	1.500	1.000	.218	.438	3.625	1.750	2.335	1.428	.250	1.000	1.875
	1.000	3/4"-16 x 1.125	1"-14 x 1.125	7/8"-14 x 1.125	7/8"-14 x 1.875	1.499	1.125	.500	.875	5/16"-24	2.500	3/8	-6	.375	1.500	1.000	.250	.500	3.625	2.250	2.335	1.838	.312	1.375	2.250
3.250	.625	7/16"-20 x .750	5/8"-18 x .750	1/2"-20 x .750	1/2"-20 x 1.125	1.124	1.000	.375	.500	1/4"-28	2.000	3/8	-6	.375	1.500	1.000	.218	.438	3.625	1.750	2.335	1.428	.250	1.000	1.875
	1.000	3/4"-16 x 1.125	1"-14 x 1.125	7/8"-14 x 1.125	7/8"-14 x 1.875	1.499	1.125	.500	.875	5/16"-24	2.500	3/8	-6	.375	1.500	1.000	.250	.500	3.625	2.250	2.335	1.838	.312	1.375	2.250
4.000	.625	7/16"-20 x .750	5/8"-18 x .750	1/2"-20 x .750	1/2"-20 x 1.125	1.124	1.000	.375	.500	1/4"-28	2.000	3/8	-6	.375	1.500	1.000	.218	.438	3.625	1.750	2.335	1.428	.250	1.000	1.875
	1.000	3/4"-16 x 1.125	1"-14 x 1.125	7/8"-14 x 1.125	7/8"-14 x 1.875	1.499	1.125	.500	.875	5/16"-24	2.500	3/8	-6	.375	1.500	1.000	.250	.500	3.625	2.250	2.335	1.838	.312	1.375	2.250
5.000	.625	7/16"-20 x .750	5/8"-18 x .750	1/2"-20 x .750	1/2"-20 x 1.125	1.124	1.000	.375	.500	1/4"-28	2.000	3/8	-6	.375	1.500	1.000	.218	.438	3.625	1.750	2.335	1.428	.250	1.000	1.875
	1.000	3/4"-16 x 1.125	1"-14 x 1.125	7/8"-14 x 1.125	7/8"-14 x 1.875	1.499	1.125	.500	.875	5/16"-24	2.500	3/8	-6	.375	1.500	1.000	.250	.500	3.625	2.250	2.335	1.838	.312	1.375	2.250
6.000	.625	7/16"-20 x .750	5/8"-18 x .750	1/2"-20 x .750	1/2"-20 x 1.125	1.124	1.000	.375	.500	1/4"-28	2.000	3/8	-6	.375	1.500	1.000	.218	.438	3.625	1.750	2.335	1.428	.250	1.000	1.875
	1.000	3/4"-16 x 1.125	1"-14 x 1.125	7/8"-14 x 1.125	7/8"-14 x 1.875	1.499	1.125	.500	.875	5/16"-24	2.500	3/8	-6	.375	1.500	1.000	.250	.500	3.625	2.250	2.335	1.838	.312	1.375	2.250

4.12

NEVA DESIGN