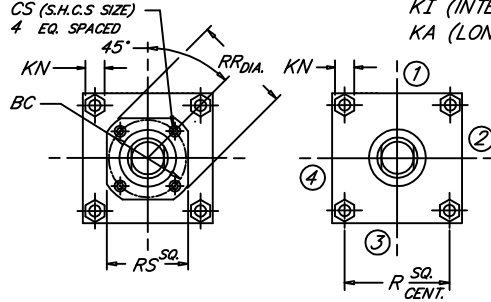


CAP TIE ROD EXTENDED

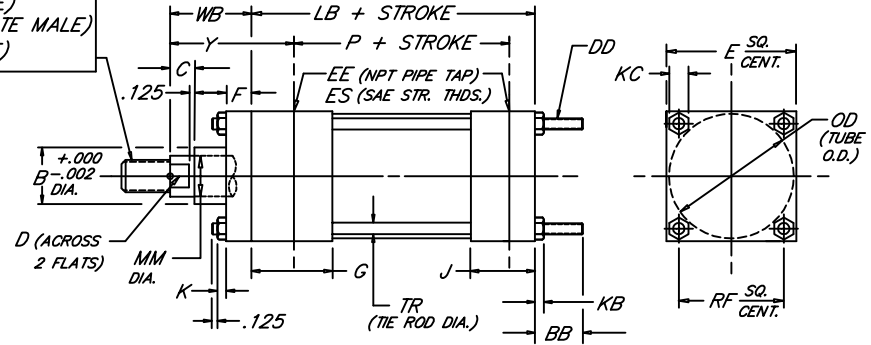
Peninsular
Mounting Style: **LH 11**

Low Pressure Steel Hydraulic Cylinder

BORE	WORKING P.S.I.	RATED P.S.I.
1.50	1500	2500
2.00	1500	2500
2.50	1000	1500
3.25	1000	1500
4.00	1000	1500
5.00	800	1200
6.00	800	1200



KM (SHORT MALE)
KF (SHORT FEMALE)
KD (FULL MALE)
KI (INTERMEDIATE MALE)
KA (LONG MALE)



4.11

BORE	ROD		ROD THREAD X LENGTH					NPT/SAE																									
	MM	KM & KF	KD	KI	KA	B	BB	BC	C	CS	D	DD	E	EE	ES	F	G	J	K	KB	KC	KN	LB	OD	P	R	RF	RR	RS	TR	WB	Y	
1.500	.625	7/16"-20 x .750	5/8"-18 x .750	1/2"-20 x .750	1/2"-20 x 1.125	1.124	1.000	---	.375	---	.500	1/4"-28	2.000	3/8	-6	.375	1.500	1.000	.344	.218	.438	.500	3.625	1.750	2.335	1.478	1.428	---	---	.312	1.000	1.875	
	1.000	3/4"-16 x 1.125	1"-14 x 1.125	7/8"-14 x 1.125	7/8"-14 x 1.875	1.499	---	---	.500	---	.875	5/16"-24	2.500	3/8	-6	.375	1.500	1.000	.406	.250	.500	.562	3.625	2.375	2.335	1.966	1.838	---	---	.375	1.375	2.250	
	1.375	1"-14 x 1.625	1 3/8"-12 x 1.625	1 1/4"-12 x 1.625	1 1/4"-12 x 2.500	1.999	1.125	---	.625	---	1.125	---	---	---	---	---	---	---	---	---	---	---	---	---	---	---	---	---	---	---	---	---	1.625
2.000	.625	7/16"-20 x .750	5/8"-18 x .750	1/2"-20 x .750	1/2"-20 x 1.125	1.124	---	---	.375	---	.500	1/4"-28	2.000	3/8	-6	.375	1.500	1.000	.344	.218	.438	.500	3.625	1.750	2.335	1.478	1.428	---	---	.312	1.000	1.875	
	1.000	3/4"-16 x 1.125	1"-14 x 1.125	7/8"-14 x 1.125	7/8"-14 x 1.875	1.499	1.125	---	.500	---	.875	5/16"-24	2.500	3/8	-6	.375	1.500	1.000	.406	.250	.500	.562	3.625	2.375	2.335	1.966	1.838	---	---	.375	1.375	2.250	
	1.375	1"-14 x 1.625	1 3/8"-12 x 1.625	1 1/4"-12 x 1.625	1 1/4"-12 x 2.500	1.999	---	---	.625	---	1.125	---	---	---	---	---	---	---	---	---	---	---	---	---	---	---	---	---	---	---	---	1.625	2.500
2.500	.625	7/16"-20 x .750	5/8"-18 x .750	1/2"-20 x .750	1/2"-20 x 1.125	1.124	---	---	.375	---	.500	1/4"-28	2.000	3/8	-6	.375	1.500	1.000	.344	.218	.438	.500	3.625	1.750	2.335	1.478	1.428	---	---	.312	1.000	1.875	
	1.000	3/4"-16 x 1.125	1"-14 x 1.125	7/8"-14 x 1.125	7/8"-14 x 1.875	1.499	1.125	---	.500	---	.875	5/16"-24	2.500	3/8	-6	.375	1.500	1.000	.406	.250	.500	.562	3.625	2.375	2.335	1.966	1.838	---	---	.375	1.375	2.250	
	1.375	1"-14 x 1.625	1 3/8"-12 x 1.625	1 1/4"-12 x 1.625	1 1/4"-12 x 2.500	1.999	---	---	.625	---	1.125	---	---	---	---	---	---	---	---	---	---	---	---	---	---	---	---	---	---	---	---	1.625	2.500
3.250	.625	7/16"-20 x .750	5/8"-18 x .750	1/2"-20 x .750	1/2"-20 x 1.125	1.124	---	---	.375	---	.500	1/4"-28	2.000	3/8	-6	.375	1.500	1.000	.344	.218	.438	.500	3.625	1.750	2.335	1.478	1.428	---	---	.312	1.000	1.875	
	1.000	3/4"-16 x 1.125	1"-14 x 1.125	7/8"-14 x 1.125	7/8"-14 x 1.875	1.499	1.125	---	.500	---	.875	5/16"-24	2.500	3/8	-6	.375	1.500	1.000	.406	.250	.500	.562	3.625	2.375	2.335	1.966	1.838	---	---	.375	1.375	2.250	
	1.375	1"-14 x 1.625	1 3/8"-12 x 1.625	1 1/4"-12 x 1.625	1 1/4"-12 x 2.500	1.999	---	---	.625	---	1.125	---	---	---	---	---	---	---	---	---	---	---	---	---	---	---	---	---	---	---	---	1.625	2.500
4.000	.625	7/16"-20 x .750	5/8"-18 x .750	1/2"-20 x .750	1/2"-20 x 1.125	1.124	---	---	.375	---	.500	1/4"-28	2.000	3/8	-6	.375	1.500	1.000	.344	.218	.438	.500	3.625	1.750	2.335	1.478	1.428	---	---	.312	1.000	1.875	
	1.000	3/4"-16 x 1.125	1"-14 x 1.125	7/8"-14 x 1.125	7/8"-14 x 1.875	1.499	1.125	---	.500	---	.875	5/16"-24	2.500	3/8	-6	.375	1.500	1.000	.406	.250	.500	.562	3.625	2.375	2.335	1.966	1.838	---	---	.375	1.375	2.250	
	1.375	1"-14 x 1.625	1 3/8"-12 x 1.625	1 1/4"-12 x 1.625	1 1/4"-12 x 2.500	1.999	---	---	.625	---	1.125	---	---	---	---	---	---	---	---	---	---	---	---	---	---	---	---	---	---	---	---	1.625	2.500
5.000	.625	7/16"-20 x .750	5/8"-18 x .750	1/2"-20 x .750	1/2"-20 x 1.125	1.124	---	---	.375	---	.500	1/4"-28	2.000	3/8	-6	.375	1.500	1.000	.344	.218	.438	.500	3.625	1.750	2.335	1.478	1.428	---	---	.312	1.000	1.875	
	1.000	3/4"-16 x 1.125	1"-14 x 1.125	7/8"-14 x 1.125	7/8"-14 x 1.875	1.499	1.125	---	.500	---	.875	5/16"-24	2.500	3/8	-6	.375	1.500	1.000	.406	.250	.500	.562	3.625	2.375	2.335	1.966	1.838	---	---	.375	1.375	2.250	
	1.375	1"-14 x 1.625	1 3/8"-12 x 1.625	1 1/4"-12 x 1.625	1 1/4"-12 x 2.500	1.999	---	---	.625	---	1.125	---	---	---	---	---	---	---	---	---	---	---	---	---	---	---	---	---	---	---	---	1.625	2.500
6.000	.625	7/16"-20 x .750	5/8"-18 x .750	1/2"-20 x .750	1/2"-20 x 1.125	1.124	---	---	.375	---	.500	1/4"-28	2.000	3/8	-6	.375	1.500	1.000	.344	.218	.438	.500	3.625	1.750	2.335	1.478	1.428	---	---	.312	1.000	1.875	
	1.000	3/4"-16 x 1.125	1"-14 x 1.125	7/8"-14 x 1.125	7/8"-14 x 1.875	1.499	1.125	---	.500	---	.875	5/16"-24	2.500	3/8	-6	.375	1.500	1.000	.406	.250	.500	.562	3.625	2.375	2.335	1.966	1.838	---	---	.375	1.375	2.250	
	1.375	1"-14 x 1.625	1 3/8"-12 x 1.625	1 1/4"-12 x 1.625	1 1/4"-12 x 2.500	1.999	---	---	.625	---	1.125	---	---	---	---	---	---	---	---	---	---	---	---	---	---	---	---	---	---	---	---	1.625	2.500

NEW DESIGN

FILE: 4.11_LH11S2.dwg REV: 02/09/2010