

DETACHABLE FRONT FLANGE

ISO Mounting Style IMH 4

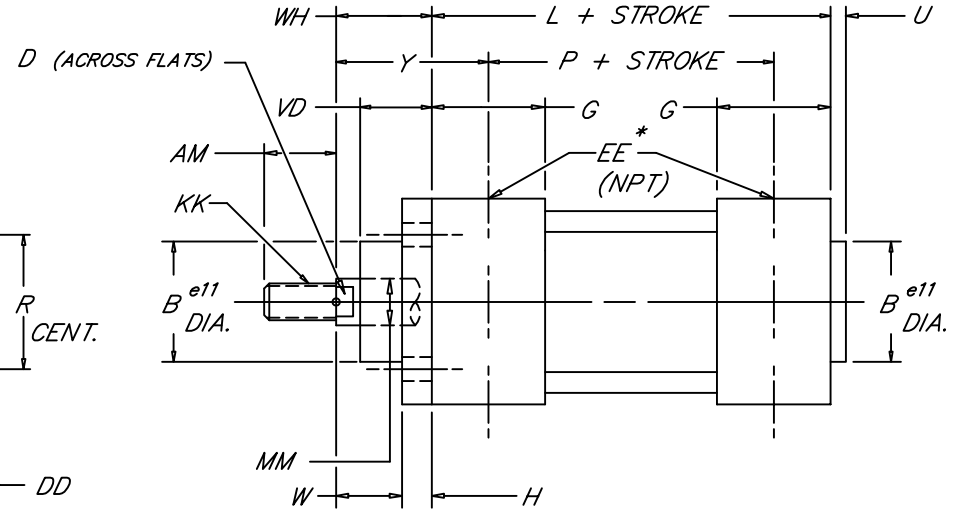
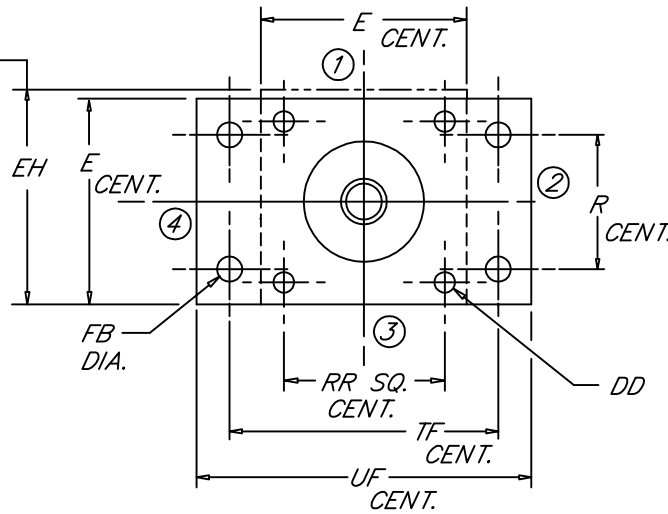
PENINSULAR® CYLINDER COMPANY

Medium-Heavy Duty
Steel Air Cylinder

Use EH only for optional prox. switch boss if required.

NOTE:

For bore sizes up to 1000 mm call Peninsular.
For additional rod sizes available call Peninsular.
For optional rod threads call Peninsular.
* For in port mounted proximity switches, ports and cushions refer to the ordering guide.
U.S. patent numbers: 4,726,282 and D295,753.

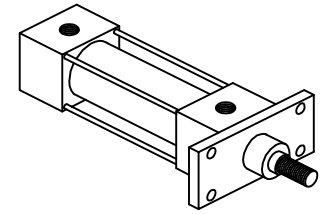


5.04

	BORE		ROD DIA.		STANDARD MALE ROD THREAD		MAX.		MAX.																				
	MM	KK	AM	B	D	DD	E	EE	EH	FB	G	H	L	P	R	RR	TF	U	UF	VD	W	WH	Y						
32	12	M10 X 1.25	22	30	10	M6	50	1/8	62.7	7	35	10	94	68	32	32.5	64	4	86	20	16	26	39						
40	16	M12 X 1.25	24	35	13	M6	58	1/4	62.7	9	39	10	105	77	36	38	72	4	96	22	20	30	44						
50	20	M16 X 1.5	32	40	16	M8	70	1/4	72.1	9	39	12	106	78	45	46.5	90	4	115	29	25	37	51						
63	20	M16 X 1.5	32	45	16	M8	85	3/8	80.3	9	46	12	121	89	50	56.5	100	4	130	29	25	37	53						
80	25	M20 X 1.5	40	45	21	M10	105	3/8	94.5	12	48	16	128	96	63	72	126	4	165	35	30	46	62						
100	32	M20 X 1.5	40	55	21	M10	130	1/2	114.6	14	51	16	138	102	75	89	150	4	187	38	35	51	69						
125	32	M27 X 2.0	54	60	27	M12	157	1/2	141.5	16	62	20	160	124	90	110	180	6	224	50	45	65	83						
160	40	M36 X 2.0	72	65	36	M16	195	3/4	165.1	18	70	20	180	130	115	140	230	6	280	60	60	80	105						
200	40	M36 X 2.0	72	75	36	M16	238	3/4	238	22	70	25	180	130	135	175	270	6	320	70	70	95	120						
250	50	M42 X 2.0	84	90	46	M20	290	1	290	26	70	25	200	138	165	220	330	10	395	80	80	105	136						
320	50	M48 X 2.0	96	110	46	M24	353	1	353	33	75	30	220	158	200	270	400	10	475	90	90	120	151						

NEVA DESIGN

METRIC



VDMA 24-562
NAAMS
DIN ISO 6431
(MF1)