

DETACHABLE REAR CLEVIS

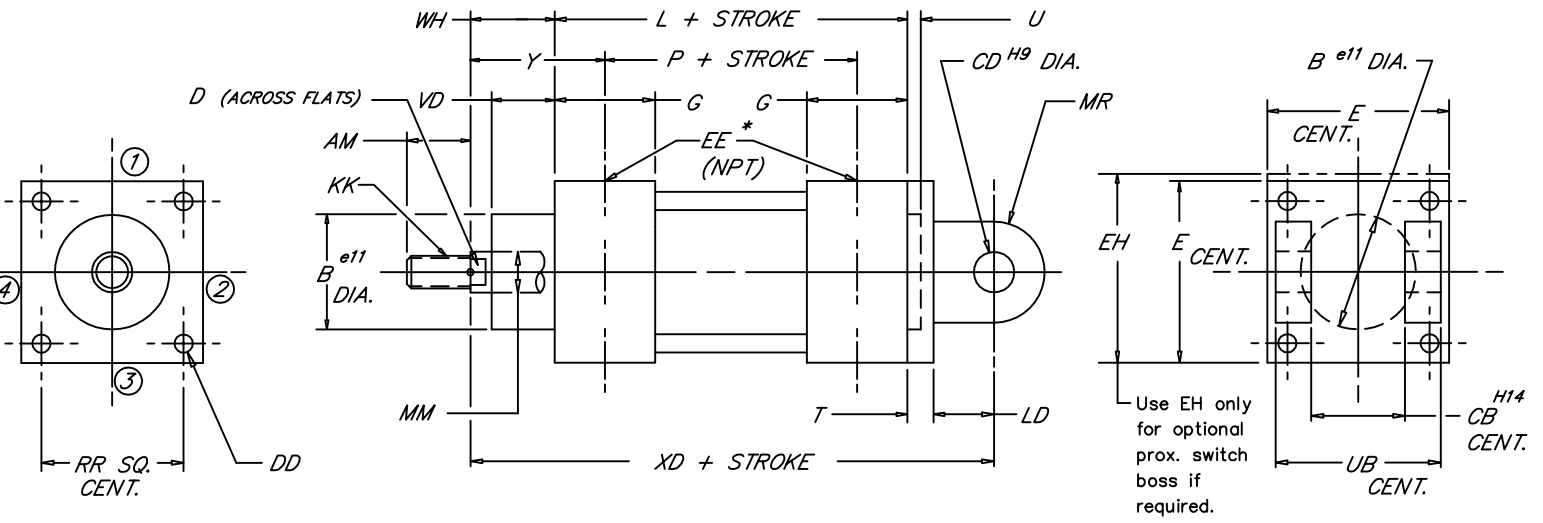
ISO Mounting Style IMH 3

PENINSULAR® CYLINDER COMPANY

Medium-Heavy Duty
Steel Air Cylinder

NOTE:

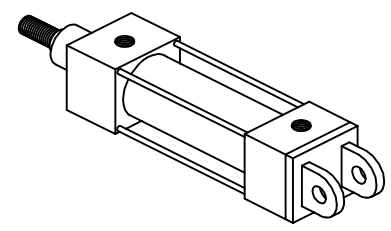
For bore sizes up to 1000 mm call Peninsular.
For additional rod sizes available call Peninsular.
For optional rod threads call Peninsular.
* For in port mounted proximity switches, ports and cushions refer to the ordering guide.
U.S. patent numbers: 4,726,282 and D295,753.



5.03

	BORE		ROD DIA.		STANDARD MALE ROD THREAD		MAX.		MAX.																			
	MM	KK	AM	B	CB	CD	D	DD	E	EE	EH	G	L	LD	MR	P	RR	T	U	UB	VD	WH	XD	Y				
32	12	M10 X 1.25	22	30	26	10	10	M6	50	1/8	62.7	35	94	12	11	68	32.5	10	4	45	20	26	142	39				
40	16	M12 X 1.25	24	35	28	12	13	M6	58	1/4	62.7	39	105	15	13	77	38	10	4	52	22	30	160	44				
50	20	M16 X 1.5	32	40	32	12	16	M8	70	1/4	72.1	39	106	15	13	78	46.5	12	4	60	29	37	170	51				
63	20	M16 X 1.5	32	45	40	16	16	M8	85	3/8	80.3	46	121	20	17	89	56.5	12	4	70	29	37	190	53				
80	25	M20 X 1.5	40	45	50	16	21	M10	105	3/8	94.5	48	128	20	17	96	72	16	4	90	35	46	210	62				
100	32	M20 X 1.5	40	55	60	20	21	M10	130	1/2	114.6	51	138	25	21	102	89	16	4	110	38	51	230	69				
125	32	M27 X 2.0	54	60	70	25	27	M12	157	1/2	141.5	62	160	30	26	124	110	20	6	130	50	65	275	83				
160	40	M36 X 2.0	72	65	90	30	36	M16	195	3/4	165.1	70	180	35	31	130	140	20	6	170	60	80	315	105				
200	40	M36 X 2.0	72	75	90	30	36	M16	238	3/4	238	70	180	35	31	130	175	25	6	170	70	95	335	120				
250	50	M42 X 2.0	84	90	110	40	46	M20	290	1	290	70	200	45	41	138	220	25	10	200	80	105	375	136				
320	50	M48 X 2.0	96	110	120	45	46	M24	353	1	353	75	220	50	46	158	270	30	10	220	90	120	420	151				

METRIC



VDMA 24-562
NAAMS
DIN ISO 6431
(MP2)