

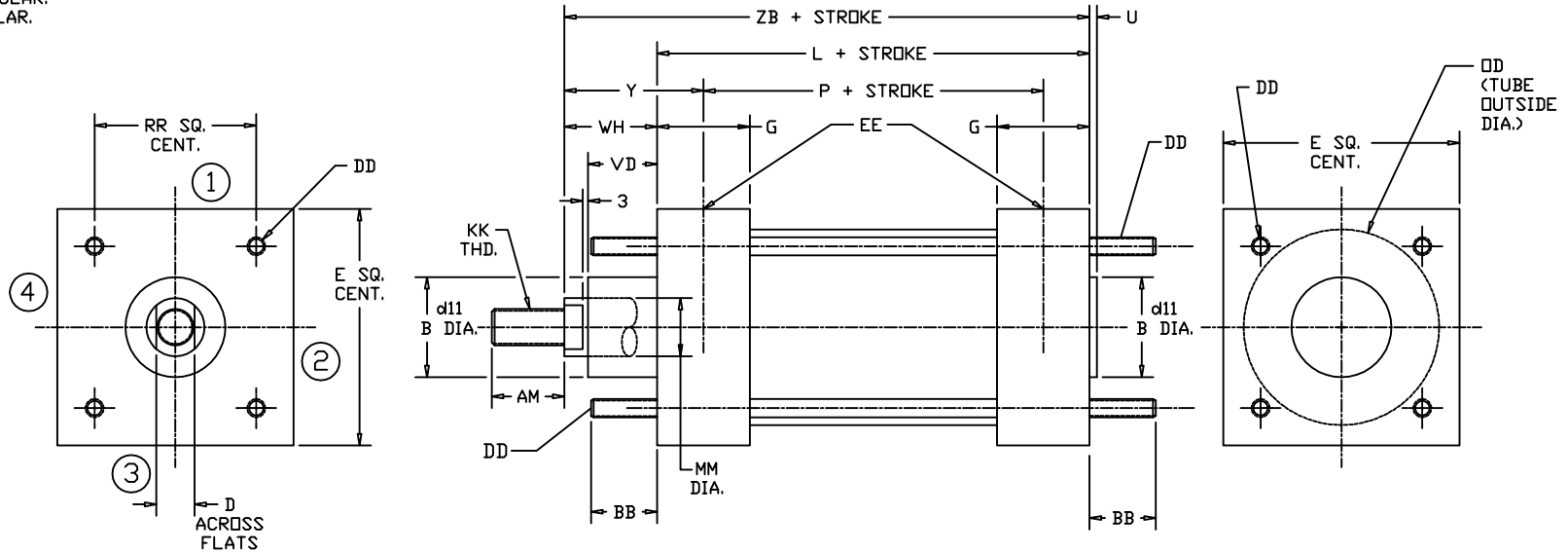
# HEAD & CAP TIE ROD EXTENDED

Peninsular  
Mounting Style: IMH 12

Heavy Duty Steel Air Cylinder • METRIC (DETACHABLE MOUNTINGS)

FOR BORE SIZES UP TO 1000 mm CALL PENINSULAR.  
FOR ADDITIONAL ROD SIZES AVAILABLE CALL PENINSULAR.  
FOR OPTIONAL ROD THREADS CALL PENINSULAR.  
FOR OPTIONAL PORT SIZES CALL PENINSULAR.

ISO 15552



5.12



BORE	Ø ROD	STANDARD LONG MALE ROD THREAD	MAX.																	MIN.	
			MM	KK	AM	B	d11	BB	D	DD	E	EE	G	L	DD	P	RR	U	VD	WH	Y
32	12	M10 x 1.25	22	30	+0.13 -0.06	17	10	M6 x 1.0	50	1/8	35	94	38.1	68	32.5	4	20	26	39	120	
40	16	M12 x 1.25	24	35	+0.16 -0.08	17	13	M6 x 1.0	58	1/4	39	105	44.4	77	38	4	22	30	44	135	
50	20	M16 x 1.5	32	40		23	16	M8 x 1.25	70	1/4	39	106	57.1	78	46.5	4	29	37	51	143	
63	20	M16 x 1.5	32	45	-0.10	23	16	M8 x 1.25	85	3/8	46	121	69.9	89	56.5	4	29	37	53	158	
80	25	M20 x 1.5	40	45		28	21	M10 x 1.5	105	3/8	48	128	88.9	96	72	4	35	46	62	174	
100	32	M20 x 1.5	40	55	+0.19 -0.10	28	21	M10 x 1.5	130	1/2	51	138	108.0	102	89	4	38	51	69	189	
125	32	M27 x 2.0	54	60		34	27	M12 x 1.75	157	1/2	62	160	133.3	124	110	6	50	65	83	225	
160	40	M36 x 2.0	72	65	-0.12	42	36	M16 x 2.0	195	3/4	70	180	158.8	130	140	6	60	80	105	260	
200	40	M36 x 2.0	72	75		42	36	M16 x 2.0	238	3/4	70	180	212.7	130	175	6	70	95	120	275	
250	50	M42 x 2.0	84	90	+0.22 -0.12	52	46	M20 x 2.5	290	1	70	200	266.7	138	220	10	80	105	136	305	
320	50	M48 x 2.0	96	110		52	46	M24 x 3.0	353	1	75	220	317.5	158	270	10	90	120	151	340	

FILE: 5.12\_IMH12S2.dwg REV: 02/09/2010