

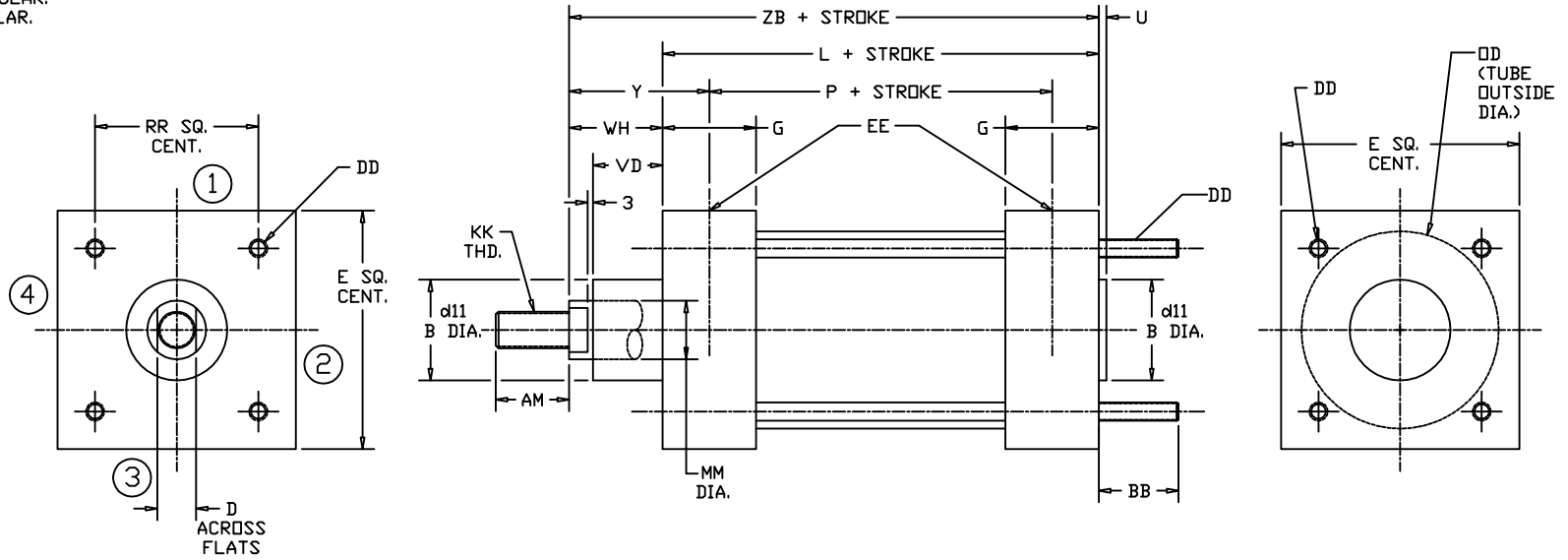
CAP TIE ROD EXTENDED

Peninsular
Mounting Style: IMH 11

Heavy Duty Steel Air Cylinder • METRIC (DETACHABLE MOUNTINGS)

FOR BORE SIZES UP TO 1000 mm CALL PENINSULAR.
FOR ADDITIONAL ROD SIZES AVAILABLE CALL PENINSULAR.
FOR OPTIONAL ROD THREADS CALL PENINSULAR.
FOR OPTIONAL PORT SIZES CALL PENINSULAR.

ISO 15552



5.11

BORE	Ø ROD	STANDARD LONG MALE ROD THREAD		B	d11	BB	D	DD	E	EE	G	L	DD	P	RR	U	VD	WH	Y	ZB
		MM	KK																	
32	12	M10 x 1.25	22	30	+0.13 -0.06	17	10	M6 x 1.0	50	1/8	35	94	38.1	68	32.5	4	20	26	39	120
40	16	M12 x 1.25	24	35		17	13	M6 x 1.0	58	1/4	39	105	44.4	77	38	4	22	30	44	135
50	20	M16 x 1.5	32	40	+0.16 -0.08	23	16	M8 x 1.25	70	1/4	39	106	57.1	78	46.5	4	29	37	51	143
63	20	M16 x 1.5	32	45		23	16	M8 x 1.25	85	3/8	46	121	69.9	89	56.5	4	29	37	53	158
80	25	M20 x 1.5	40	45	+0.19 -0.10	28	21	M10 x 1.5	105	3/8	48	128	88.9	96	72	4	35	46	62	174
100	32	M20 x 1.5	40	55		28	21	M10 x 1.5	130	1/2	51	138	108.0	102	89	4	38	51	69	189
125	32	M27 x 2.0	54	60	+0.19 -0.10	34	27	M12 x 1.75	157	1/2	62	160	133.3	124	110	6	50	65	83	225
160	40	M36 x 2.0	72	65		42	36	M16 x 2.0	195	3/4	70	180	158.8	130	140	6	60	80	105	260
200	40	M36 x 2.0	72	75	+0.22 -0.12	42	36	M16 x 2.0	238	3/4	70	180	212.7	130	175	6	70	95	120	275
250	50	M42 x 2.0	84	90		52	46	M20 x 2.5	290	1	70	200	266.7	138	220	10	80	105	136	305
320	50	M48 x 2.0	96	110	52	46	M24 x 3.0	353	1	75	220	317.5	158	270	10	90	120	151	340	

FILE: 5.11_IMH11S2.dwg REV: 02/09/2010