

DETACHABLE REAR CLEVIS

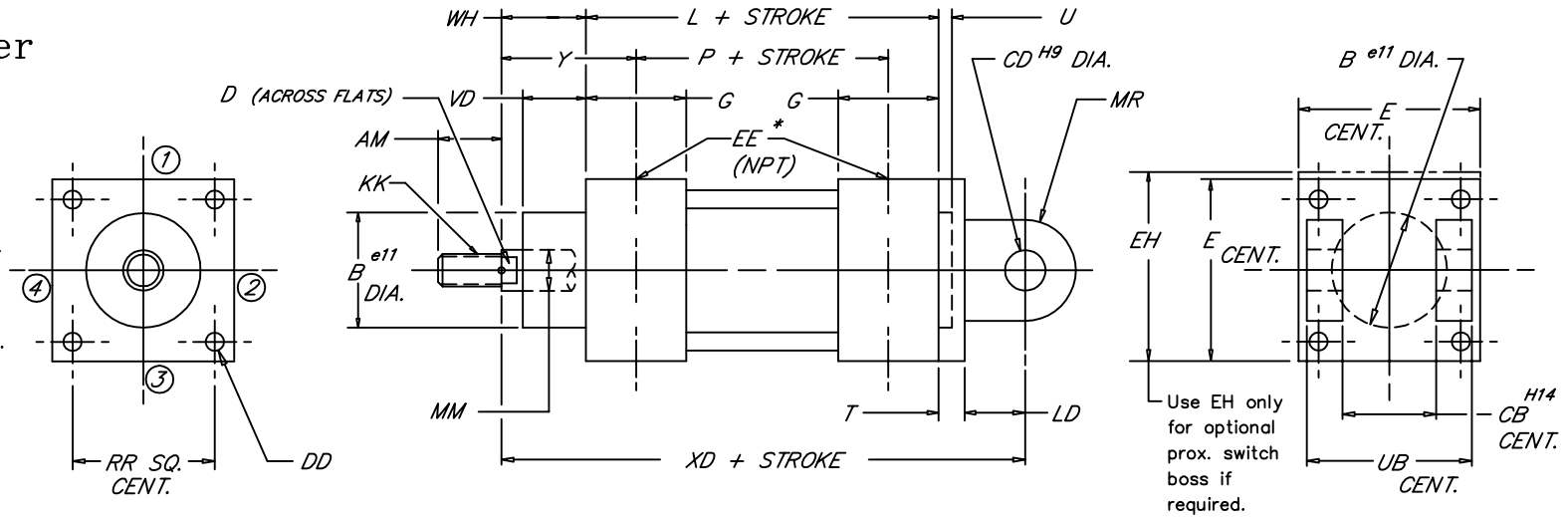
ISO Mounting Style ILM 3

PENINSULAR® CYLINDER COMPANY

Metric, Medium Duty
Aluminum Air Cylinder

NOTE:

For bore sizes up to 1000 mm call Peninsular.
For additional rod sizes available call Peninsular.
For optional rod threads call Peninsular.
* For in port mounted proximity switches, ports and cushions refer to the ordering guide.
U.S. patent numbers: 4,726,282 and D295,753.

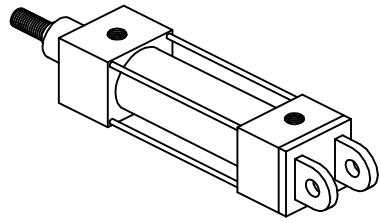


6.00



	MM	KK	AM	B	CB	CD	D	DD	E	EE	EH	G	L	LD	MR	P	RR	T	U	UB	VD	WH	XD	Y
32	12	M10 X 1.25	22	30	26	10	10	M6	50	1/8	62.7	35	94	12	11	68	32.5	10	4	45	20	26	142	39
40	16	M12 X 1.25	24	35	28	12	13	M6	58	1/4	62.7	39	105	15	13	77	38	10	4	52	22	30	160	44
50	20	M16 X 1.5	32	40	32	12	16	M8	70	1/4	72.1	39	106	15	13	78	46.5	12	4	60	29	37	170	51
63	20	M16 X 1.5	32	45	40	16	16	M8	85	3/8	80.3	46	121	20	17	89	56.5	12	4	70	29	37	190	53
80	25	M20 X 1.5	40	45	50	16	21	M10	105	3/8	94.5	48	128	20	17	96	72	16	4	90	35	46	210	62
100	32	M20 X 1.5	40	55	60	20	21	M10	130	1/2	114.6	51	138	25	21	102	89	16	4	110	38	51	230	69
125	32	M27 X 2.0	54	60	70	25	27	M12	157	1/2	141.5	62	160	30	26	124	110	20	6	130	50	65	275	83
160	40	M36 X 2.0	72	65	90	30	36	M16	195	3/4	165.1	70	180	35	31	130	140	20	6	170	60	80	315	105
200	40	M36 X 2.0	72	75	90	30	36	M16	238	3/4	238	70	180	35	31	130	175	25	6	170	70	95	335	120
250	50	M42 X 2.0	84	90	110	40	46	M20	290	1	290	70	200	45	41	138	220	25	10	200	80	105	375	136
320	50	M48 X 2.0	96	110	120	45	46	M24	353	1	353	75	220	50	46	158	270	30	10	220	90	120	420	151

METRIC



VDMA 24-562
NAAMS
DIN ISO 6431
(MP2)

FILE: 6.00_ILM00S2.dwg REV: 02/09/2010