

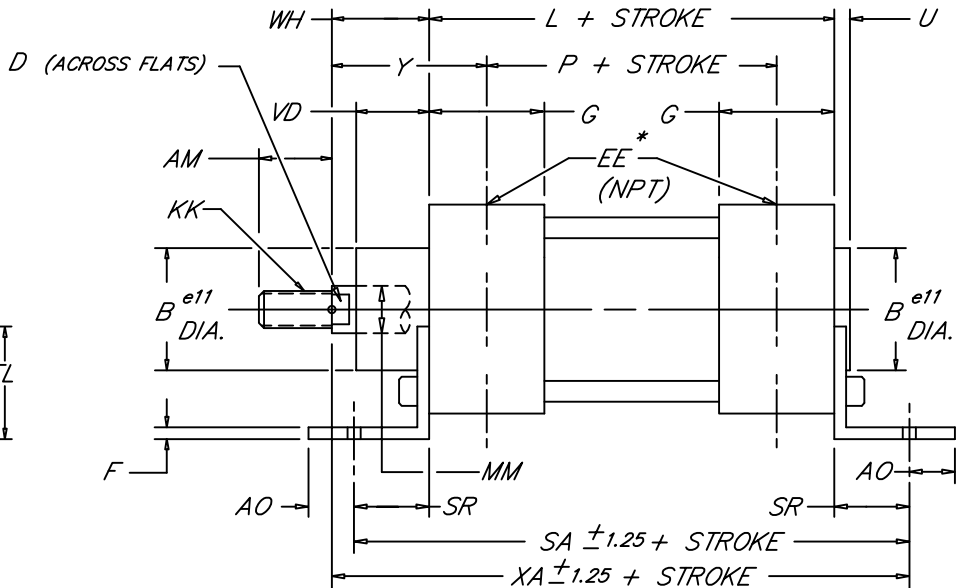
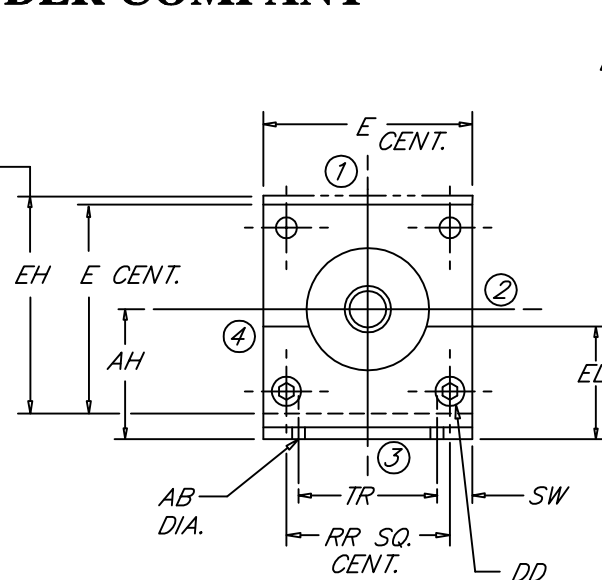
DETACHABLE FRONT ANGLE FOOT ISO Mounting Style ILM 13

PENINSULAR® CYLINDER COMPANY

Metric, Medium Duty
Aluminum Air Cylinder

NOTE:
For bore sizes up to 1000 mm call Peninsular.
For additional rod sizes available call Peninsular.
For optional rod threads call Peninsular.
* For in port mounted proximity switches, ports and cushions refer to the ordering guide.
U.S. patent numbers: 4,726,282 and D295,753.

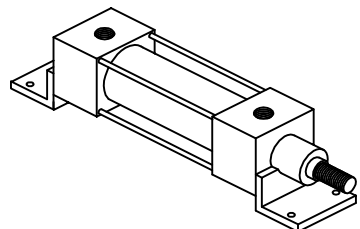
Use EH only for optional prox. switch boss if required.



6.13

	BORE		ROD DIA.		STANDARD MALE ROD THREAD		MAX.		MAX.																		
	MM	KK	AM	AB	AH	AO	B	D	DD	E	EE	EH	EL	F	G	L	P	RR	SA	SR	SW	TR	U	VD	WH	XA	Y
32	12	M10 X 1.25	22	7	32	20.4	30	10	M6	50	1/8	62.7	32	5	35	94	68	32.5	142	24	9.0	32	4	20	26	144	39
40	16	M12 X 1.25	24	10	36	16.4	35	13	M6	58	1/4	62.7	36	5	39	105	77	38	161	28	11.0	36	4	22	30	163	44
50	20	M16 X 1.5	32	10	45	18.8	40	16	M8	70	1/4	72.1	45	6	39	106	78	46.5	170	32	12.5	45	4	29	37	175	51
63	20	M16 X 1.5	32	10	50	18.8	45	16	M8	85	3/8	80.3	50	6	46	121	89	56.5	185	32	17.5	50	4	29	37	190	53
80	25	M20 X 1.5	40	12	63	35.2	45	21	M10	105	3/8	94.5	63	8	48	128	96	72	210	41	21.0	63	4	35	46	215	62
100	32	M20 X 1.5	40	14.5	71	35.2	55	21	M10	130	1/2	114.6	71	8	51	138	102	89	220	41	27.5	75	4	38	51	230	69
125	32	M27 X 2.0	54	16.5	90	31.2	60	27	M12	157	1/2	141.5	90	11	62	160	124	110	250	45	33.5	90	6	50	65	270	83
160	40	M36 X 2.0	72	18.5	115	28.9	65	36	M16	195	3/4	165.1	115	13	70	180	130	140	300	60	40.0	115	6	60	80	320	105
200	40	M36 X 2.0	72	24	135	35	75	36	M16	238	3/4	238	135	13	70	180	130	175	320	70	51.5	135	6	70	95	345	120
250	50	M42 X 2.0	84	28	165	40	90	46	M20	290	1	290	165	13	70	200	138	220	350	75	62.5	165	10	80	105	380	136
320	50	M48 X 2.0	96	35	200	45	110	46	M24	353	1	353	200	13	75	220	158	270	390	85	76.5	200	10	90	120	425	151

METRIC



VDMA 24-562
NAAMS
DIN ISO 6431
(MS1)