

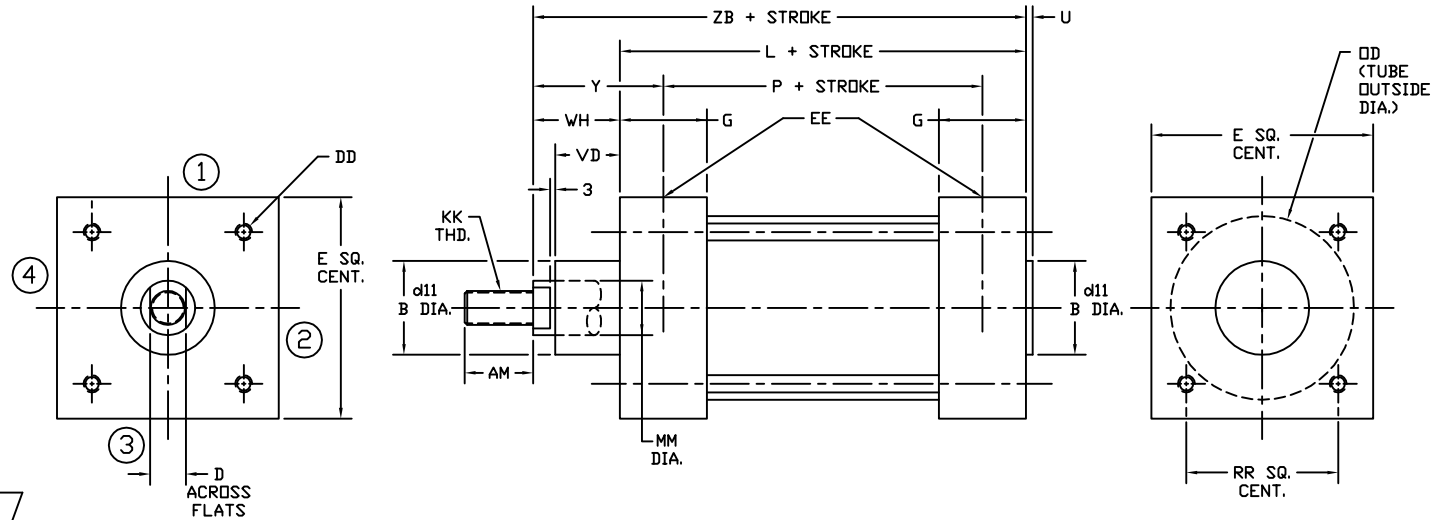
NO MOUNT

Medium Duty Aluminum Air Cylinder • METRIC (DETACHABLE MOUNTINGS)

Peninsular
Mounting Style: ILM 0

FOR BORE SIZES UP TO 1000 mm CALL PENINSULAR.
FOR ADDITIONAL ROD SIZES AVAILABLE CALL PENINSULAR.
FOR OPTIONAL ROD THREADS CALL PENINSULAR.
FOR OPTIONAL PORT SIZES CALL PENINSULAR.

ISO 15552



6.00

BORE	Ø ROD	STANDARD MALE ROD THREAD	MAX.																	MIN.	
			MM	KK	AM	B	d11	D	DD	E	EE	G	L	MM	P	RR	U	VD	WH	Y	ZB
32	12	M10 x 1.25	22	30	+0.13 -0.06	10	M6 x 1.0	50	1/8	35	94	38.1	68	32.5	4	20	26	39	120		
40	16	M12 x 1.25	24	35	+0.16 -0.08	13	M6 x 1.0	58	1/4	39	105	44.4	77	38	4	22	30	44	135		
50	20	M16 x 1.5	32	40		16	M8 x 1.25	70	1/4	39	106	57.1	78	46.5	4	29	37	51	143		
63	20	M16 x 1.5	32	45	+0.19 -0.10	16	M8 x 1.25	85	3/8	46	121	69.9	89	56.5	4	29	37	53	158		
80	25	M20 x 1.5	40	45		21	M10 x 1.5	105	3/8	48	128	88.9	96	72	4	35	46	62	174		
100	32	M20 x 1.5	40	55	+0.22 -0.12	21	M10 x 1.5	130	1/2	51	138	108.0	102	89	4	38	51	69	189		
125	32	M27 x 2.0	54	60		27	M12 x 1.75	157	1/2	62	160	133.3	124	110	6	50	65	83	225		
160	40	M36 x 2.0	72	65	+0.22 -0.12	36	M16 x 2.0	195	3/4	70	180	158.8	130	140	6	60	80	105	260		
200	40	M36 x 2.0	72	75		36	M16 x 2.0	238	3/4	70	180	212.7	130	175	6	70	95	120	275		
250	50	M42 x 2.0	84	90	+0.22 -0.12	46	M20 x 2.5	290	1	70	200	266.7	138	220	10	80	105	136	305		
320	50	M48 x 2.0	96	110		46	M24 x 3.0	353	1	75	220	317.5	158	270	10	90	120	151	340		

FILE: 6.00_ILMO MX0.dwg

REV: 04/02/2009