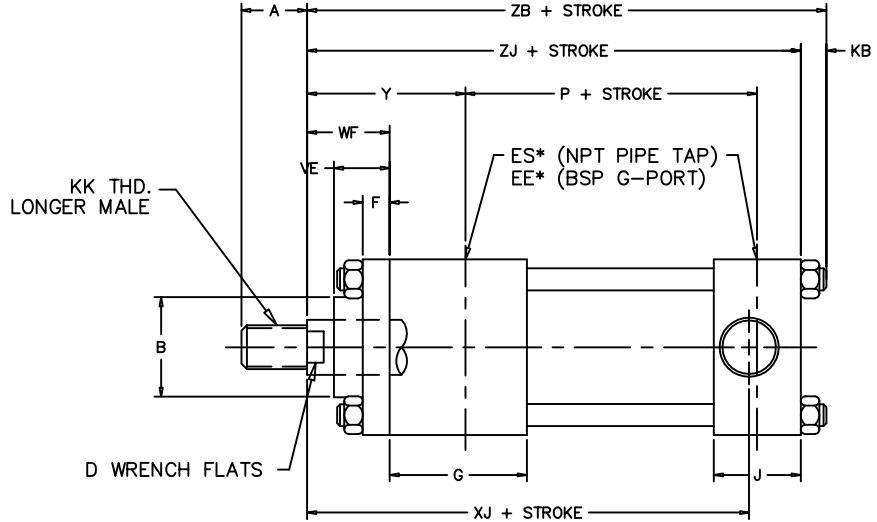
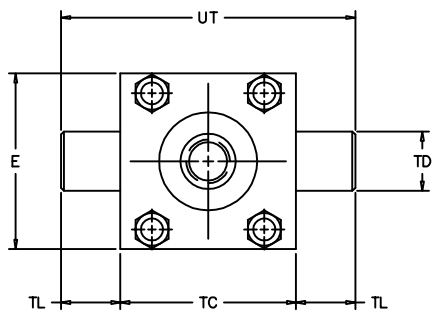


CAP TRUNNION PENINSULAR[®] CYLINDER COMPANY

METRIC HIGH PRESSURE HYDRAULIC CYLINDER
WORKING PRESSURE - 210 BAR (3000 PSI)

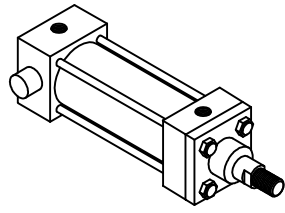
NOTE:
FOR OPTIONAL ROD THREADS CALL PENINSULAR.
FOR OPTIONAL PROXIMITY SWITCH CALL PENINSULAR.
U.S. PATENT NUMBERS: 4,726,282 AND D295,753.

*FOR PORT AND CUSHION POSITIONS REFER
TO THE HOW TO ORDER PENINSULAR IHP SERIES
HIGH PRESSURE METRIC HYDRAULIC CYLINDERS.



7.07

BORE SIZE	PENINSULAR "L" STYLE SHOWN			DIMENSIONS IN MILLIMETERS																				
	ROD DIAMETER	KK THD. LONGER MALE		A	B	D	E	BSP G-PORT	NPT (INCHES)	F	G	J	KB	P	TC	TD	TL	UT	VE	WF	XJ	Y	ZB	ZJ
40.0	18.0	M14 x 1.5		18.0	30.0	15.0	63.0	3/8	1/2	10.0	45.0	38.0	6.5	73.0	63.0	20.0	16.0	95.0	16.0	35.0	134.0	62.0	166.0	153.0
	28.0	M20 x 1.5		28.0	42.0	22.0													22.0					
50.0	22.0	M16 x 1.5		22.0	34.0	18.0	75.0	1/2	1/2"	16.0	45.0	38.0	10.0	74.0	76.0	25.0	20.0	116.0	22.0	41.0	140.0	67.0	176.0	159.0
	28.0	M20 x 1.5		28.0	42.0	22.0													22.0					
	36.0	M27 x 2		36.0	50.0	30.0													25.0					
63.0	28.0	M20 x 1.5		28.0	42.0	22.0	90.0	1/2	1/2	16.0	45.0	38.0	10.0	80.0	89.0	32.0	25.0	139.0	22.0	48.0	149.0	71.0	185.0	168.0
	36.0	M27 x 2		36.0	50.0	30.0													25.0					
	45.0	M33 x 2		45.0	60.0	39.0													29.0					
80.0	36.0	M27 x 2		36.0	50.0	30.0	115.0	3/4	3/4	20.0	50.0	45.0	13.0	93.0	114.0	40.0	32.0	178.0	25.0	51.0	168.0	77.0	212.0	190.0
	45.0	M33 x 2		45.0	60.0	39.0													29.0					
	56.0	M42 x 2		56.0	72.0	48.0													29.0					
100.0	45.0	M33 x 2		45.0	60.0	39.0	130.0	3/4	3/4"	22.0	50.0	54.0	13.0	101.0	127.0	50.0	40.0	207.0	29.0	57.0	187.0	82.0	225.0	203.0
	56.0	M42 x 2		56.0	72.0	48.0													29.0					
	70.0	M48 x 2		63.0	88.0	62.0													32.0					
125.0	56.0	M42 x 2		56.0	72.0	48.0	165.0	1	3/4"	22.0	58.0	66.7	18.0	117.0	165.0	63.0	50.0	265.0	29.0	57.0	209.0	86.0	260.0	232.0
	70.0	M48 x 2		63.0	88.0	62.0													32.0					
	90.0	M64 x 3		85.0	108.0	80.0													32.0					
160.0	70.0	M48 x 2		63.0	88.0	62.0	205.0	1	1"	25.0	58.0	84.0	22.0	130.0	203.0	80.0	63.0	329.0	32.0	57.0	230.0	86.0	279.0	245.0
	90.0	M64 x 3		85.0	108.0	80.0													32.0					
	110.0	M80 x 3		95.0	133.0	100.0													32.0					
200.0	90.0	M64 x 3		85.0	108.0	80.0	245.0	1 1/4	1 1/2"	25.0	76.0	103.0	24.0	165.0	241.0	100.0	80.0	401.0	32.0	57.0	276.0	98.0	336.0	299.0
	110.0	M80 x 3		95.0	133.0	100.0													32.0					
	140.0	M100 x 3		112.0	163.0	128.0													32.0					



IHP 7 (MT2)
ISO 6020-2