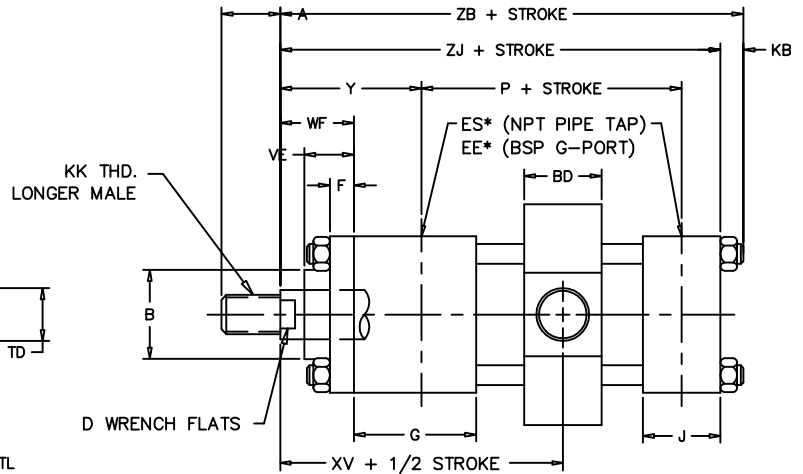
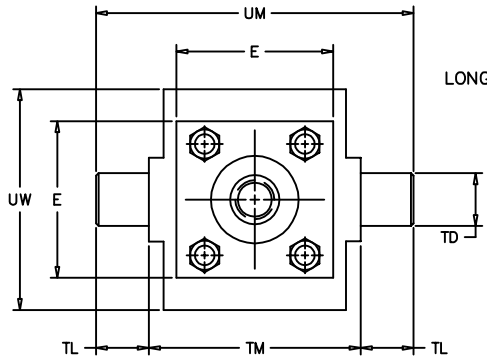


INTERMEDIATE TRUNNION PENINSULAR® CYLINDER COMPANY

METRIC HIGH PRESSURE HYDRAULIC CYLINDER
WORKING PRESSURE - 210 BAR (3000 PSI)

NOTE:
FOR OPTIONAL ROD THREADS CALL PENINSULAR.
FOR OPTIONAL PROXIMITY SWITCH CALL PENINSULAR.
U.S. PATENT NUMBERS: 4,726,282 AND D295,753.

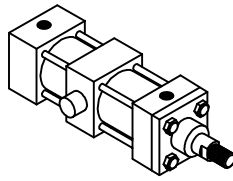
*FOR PORT AND CUSHION POSITIONS REFER
TO THE HOW TO ORDER PENINSULAR IHP SERIES
HIGH PRESSURE METRIC HYDRAULIC CYLINDERS.



FOR CENTERED TRUNNION
- OR -
SPECIFY IF SPECIAL XV DIMENSION REQUIRED

7.06

BORE SIZE	PENINSULAR "L" STYLE SHOWN			DIMENSIONS IN MILLIMETERS																							
	ROD DIAMETER	KK THD. LONGER MALE		A	B	D	E	BSP G-PORT	NPT (INCHES)	F	G	J	KB	P	TD	TL	TM	UM	UW	VE	WF	BD	XV (MIN)	Y	ZB	ZJ	MINIMUM STROKE
40.0	18.0	M14 x 1.5		18.0	30.0	15.0	63.0	3/8	1/2"	10.0	45.0	38.0	6.5	73.0	20.0	16.0	76.0	108.0	101.0	16.0	35.0	30.0	97.0	62.0	166.0	153.0	10.0
	28.0	M20 x 1.5	28.0	42.0	22.0	22.0																					
50.0	22.0	M16 x 1.5		22.0	34.0	18.0	76.0	1/2	1/2"	16.0	45.0	38.0	10.0	74.0	25.0	20.0	89.0	129.0	120.0	22.0	41.0	40.0	108.0	67.0	176.0	159.0	10.0
	28.0	M20 x 1.5	28.0	42.0	22.0	25.0																					
	36.0	M27 x 2	36.0	50.0	30.0	22.0																					
63.0	28.0	M20 x 1.5		28.0	42.0	22.0	90.0	1/2	1/2"	16.0	45.0	38.0	10.0	80.0	32.0	25.0	100.0	150.0	133.0	25.0	48.0	40.0	115.0	71.0	185.0	168.0	10.0
	36.0	M27 x 2	36.0	50.0	30.0	29.0																					
	45.0	M33 x 2	45.0	60.0	39.0	25.0																					
80.0	36.0	M27 x 2		36.0	50.0	30.0	115.0	3/4	3/4"	20.0	50.0	45.0	13.0	93.0	40.0	32.0	127.0	191.0	171.0	29.0	51.0	50.0	128.0	77.0	212.0	190.0	10.0
	45.0	M33 x 2	45.0	60.0	39.0	29.0																					
	56.0	M42 x 2	56.0	72.0	48.0	29.0																					
100.0	45.0	M33 x 2		45.0	60.0	39.0	130.0	3/4	3/4"	22.0	50.0	45.0	13.0	101.0	50.0	40.0	140.0	220.0	184.0	29.0	57.0	60.0	139.0	82.0	225.0	203.0	15.0
	56.0	M42 x 2	56.0	72.0	48.0	32.0																					
	70.0	M48 x 2	63.0	88.0	62.0	29.0																					
125.0	56.0	M42 x 2		56.0	72.0	48.0	165.0	1	3/4"	22.0	58.0	58.0	18.0	117.0	63.0	50.0	178.0	278.0	228.0	32.0	57.0	73.0	153.5	86.0	260.0	232.0	20.0
	70.0	M48 x 2	63.0	88.0	62.0	32.0																					
	90.0	M64 x 3	85.0	108.0	80.0	32.0																					
160.0	70.0	M48 x 2		63.0	88.0	62.0	205.0	1	1"	25.0	58.0	58.0	22.0	130.0	80.0	63.0	215.0	341.0	260.0	32.0	57.0	90.0	162.0	86.0	279.0	245.0	25.0
	90.0	M64 x 3	85.0	108.0	80.0	32.0																					
	110.0	M80 x 3	95.0	133.0	100.0	32.0																					
200.0	90.0	M64 x 3		85.0	108.0	80.0	245.0	1 1/4	1 1/2"	25.0	76.0	76.0	24.0	165.0	100.0	80.0	279.0	439.0	324.0	32.0	57.0	110.0	190.0	98.0	336.0	299.0	25.0
	110.0	M80 x 3	95.0	133.0	100.0	32.0																					
	140.0	M100 x 3	112.0	163.0	128.0	32.0																					



IHP 6 (MT4)

ISO 6020-2