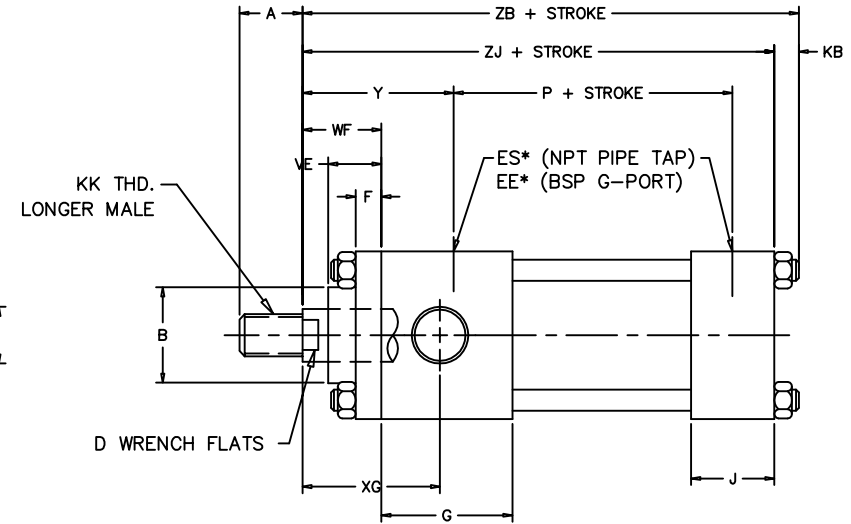
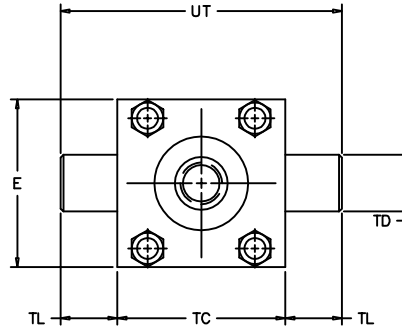


FRONT TRUNNION PENINSULAR® CYLINDER COMPANY

METRIC HIGH PRESSURE HYDRAULIC CYLINDER
WORKING PRESSURE – 210 BAR (3000 PSI)

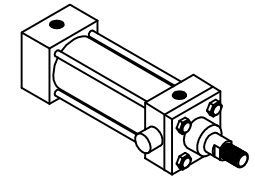
NOTE:
FOR OPTIONAL ROD THREADS CALL PENINSULAR.
FOR OPTIONAL PROXIMITY SWITCH CALL PENINSULAR.
U.S. PATENT NUMBERS: 4,726,282 AND D295,753.

*FOR PORT AND CUSHION POSITIONS REFER
TO THE HOW TO ORDER PENINSULAR IHP SERIES
HIGH PRESSURE METRIC HYDRAULIC CYLINDERS.



PENINSULAR "L"
STYLE SHOWN

BORE SIZE	ROD DIAMETER	KK THD. LONGER MALE	DIMENSIONS IN MILLIMETERS			E	BSP G-PORT	NPT (INCHES)	DIMENSIONS IN MILLIMETERS														
			A	B	D				EE	ES	F	G	J	KB	P	TC	TD	TL	UT	VE	WF	XG	Y
40.0	18.0	M14 x 1.5	18.0	30.0	15.0	63.0	3/8	1/2	10.0	45.0	38.0	6.5	73.0	63.0	20.0	16.0	95.0	16.0	35.0	57.0	62.0	166.0	153.0
	28.0	M20 x 1.5	28.0	42.0	22.0													22.0					
50.0	22.0	M16 x 1.5	22.0	34.0	18.0	75.0	1/2	1/2"	16.0	45.0	38.0	10.0	74.0	76.0	25.0	20.0	116.0	22.0	41.0	64.0	67.0	176.0	159.0
	28.0	M20 x 1.5	28.0	42.0	22.0													25.0					
63.0	36.0	M27 x 2	36.0	50.0	30.0	90.0	1/2	1/2	16.0	45.0	38.0	10.0	80.0	89.0	32.0	25.0	139.0	22.0	48.0	70.0	71.0	185.0	168.0
	28.0	M20 x 1.5	28.0	42.0	22.0													25.0					
	45.0	M33 x 2	45.0	60.0	39.0													29.0					
80.0	36.0	M27 x 2	36.0	50.0	30.0	115.0	3/4	3/4	20.0	50.0	45.0	13.0	93.0	114.0	40.0	32.0	178.0	25.0	51.0	76.0	77.0	212.0	190.0
	45.0	M33 x 2	45.0	60.0	39.0													29.0					
	56.0	M42 x 2	56.0	72.0	48.0													29.0					
100.0	45.0	M33 x 2	45.0	60.0	39.0	130.0	3/4	3/4"	22.0	50.8	45.0	13.0	101.0	127.0	50.0	40.0	207.0	29.0	57.0	82.4	82.0	225.0	203.0
	56.0	M42 x 2	56.0	72.0	48.0													29.0					
	70.0	M48 x 2	63.0	88.0	62.0													32.0					
125.0	56.0	M42 x 2	56.0	72.0	48.0	165.0	1	3/4"	22.0	73.0	58.0	18.0	113.0	165.0	63.0	50.0	265.0	29.0	57.0	97.1	90.0	260.0	232.0
	70.0	M48 x 2	63.0	88.0	62.0													32.0					
	90.0	M64 x 3	85.0	108.0	80.0													32.0					
160.0	70.0	M48 x 2	63.0	88.0	62.0	205.0	1	1"	25.0	82.5	58.0	22.0	132.0	203.0	80.0	63.0	329.0	32.0	57.0	100.0	84.0	279.0	245.0
	90.0	M64 x 3	85.0	108.0	80.0													32.0					
	110.0	M80 x 3	95.0	133.0	100.0													32.0					
200.0	90.0	M64 x 3	85.0	108.0	80.0	245.0	1 1/4	1 1/2"	25.0	101.6	76.0	24.0	167.0	241.0	100.0	80.0	401.0	32.0	57.0	108.6	96.0	336.0	299.0
	110.0	M80 x 3	95.0	133.0	100.0													32.0					
	140.0	M100 x 3	112.0	163.0	128.0																		



IHP 2 (MT1)
ISO 6020-2