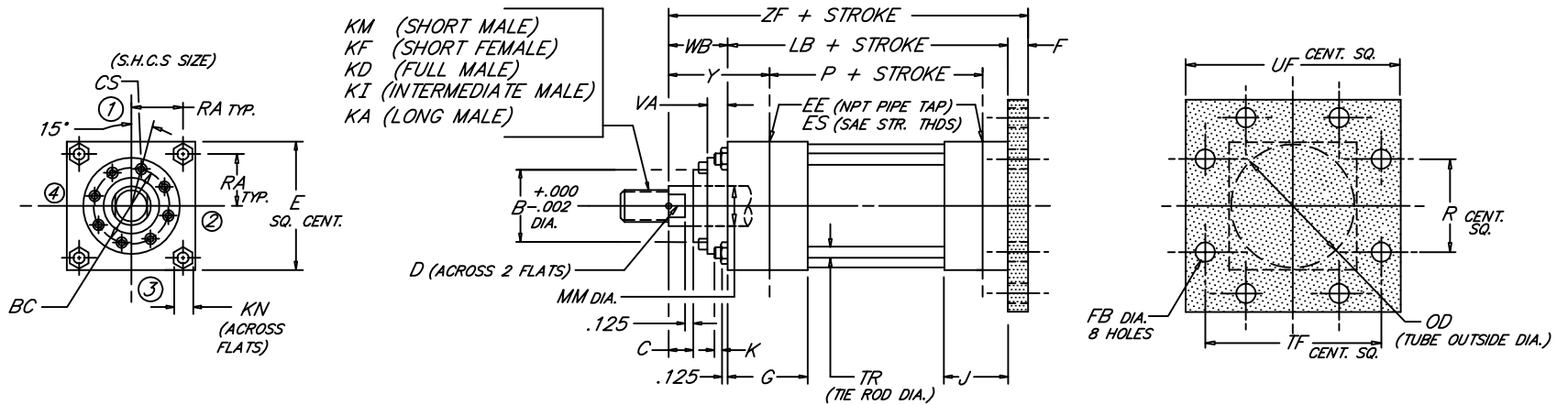


# CAP SQUARE FLANGE

Peninsular  
Mounting Style: **HP 18**

Heavy Duty Hydraulic Cylinder • 3000 P.S.I. Working Pressure • 5000 P.S.I. Rated Pressure



ROD		ROD THREAD X LENGTH					NPT/SAE																										
BORE	MM	KM & KF	KD	KI	KA	B	BC	C	CS	D	E	EE	ES	F	FB	G	J	K	KN	LB	OD	P	R	RA	RD	TF	TR	UF	VA	WB	Y	ZF	
8.000	3.500	2 1/2"-12 x 3.500	3 1/2"-12 x 3.500	3 1/4"-12 x 3.500	3 1/4"-12 x 6.500	4.249	5.000		.375	3.000															5.562				.375				
	4.000	3"-12 x 4.000	4"-12 x 4.000	3 3/4"-12 x 4.000	3 3/4"-12 x 7.500	4.749	5.625		.438	3.375															6.500				.500				
	4.500	3 1/4"-12 x 4.500	4 1/2"-12 x 4.500	4 1/4"-12 x 4.500	4 1/4"-12 x 8.250	5.249	6.375	1.000	.500	3.875	9.500	1 1/2	-24	1.000	1.312	3.000	3.000	1.188	1.844	9.500	9.250	6.125	7.500	3.750	7.260	11.812	1.250	14.000	.500	2.250	3.938	12.750	
	5.000	3 1/2"-12 x 5.000	5"-12 x 5.000	4 3/4"-12 x 5.000	4 3/4"-12 x 9.000	5.749	6.875		.500	4.250															7.750				.500				
	5.500	4"-12 x 5.500	5 1/2"-12 x 5.500	5 1/4"-12 x 5.500	5 1/4"-12 x 10.000	6.249	7.375		.500	4.625															8.260				.500				

FILE: 3.18\_HP18S2.dwg

REV: 02/09/2010