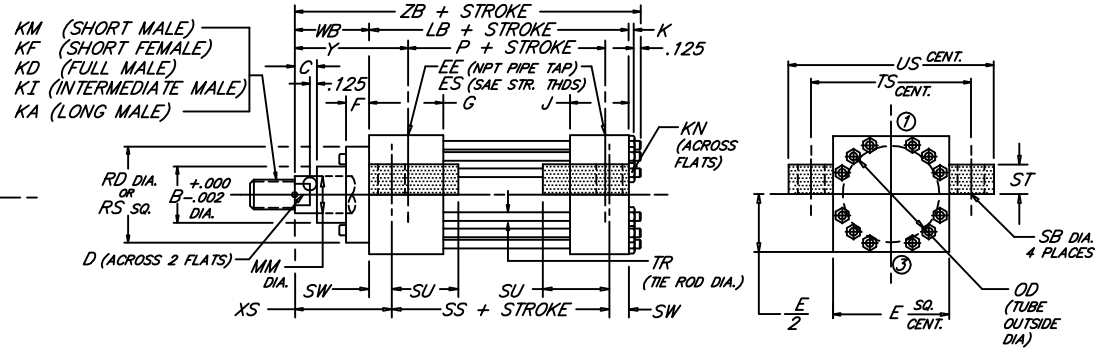
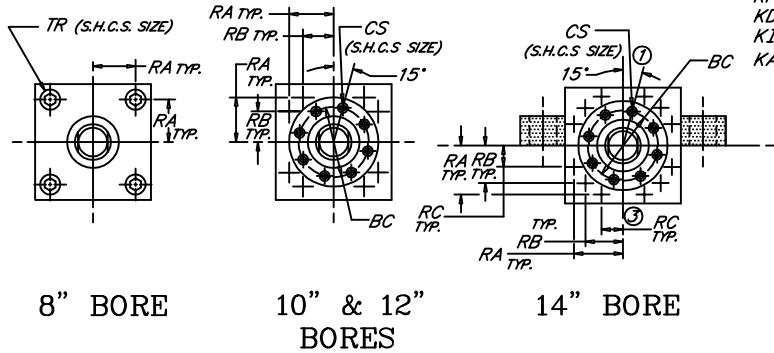


# CENTERLINE LUGS

Heavy Duty Hydraulic Cylinder • 3000 P.S.I. Working Pressure • 5000 P.S.I. Rated Pressure

Peninsular  
Mounting Style:

# HP 15



| ROD    |        | ROD THREAD X LENGTH |                   |                    |                    |        | NPT/SAE |       |       |       |        |       |      |       |       |       |       |       |        |        |        |       |       |       |        |       |       |        |       |       |       |       |        |        |       |       |       |        |        |        |
|--------|--------|---------------------|-------------------|--------------------|--------------------|--------|---------|-------|-------|-------|--------|-------|------|-------|-------|-------|-------|-------|--------|--------|--------|-------|-------|-------|--------|-------|-------|--------|-------|-------|-------|-------|--------|--------|-------|-------|-------|--------|--------|--------|
| BORE   | MM     | KM & KF             | KD                | KI                 | KA                 | B      | BC      | C     | CS    | D     | E      | EE    | ES   | F     | G     | J     | K     | KN    | LB     | P      | OD     | RA    | RB    | RC    | RD     | RS    | SB    | SS     | ST    | SU    | SW    | TR    | TS     | US     | WB    | XS    | Y     | ZB     |        |        |
| 8.000  | 3.500  | 2 1/2"-12 x 3.500   | 3 1/2"-12 x 3.500 | 3 1/4"-12 x 3.500  | 3 1/4"-12 x 6.500  | 4.249  |         |       |       | 3.000 |        |       |      |       |       |       |       |       |        |        |        |       |       |       |        |       |       |        |       |       |       |       |        |        |       |       |       |        |        |        |
|        | 4.000  | 3"-12 x 4.000       | 4"-12 x 4.000     | 3 3/4"-12 x 4.000  | 3 3/4"-12 x 7.500  | 4.749  |         |       |       | 3.375 |        |       |      |       |       |       |       |       |        |        |        |       |       |       |        |       |       |        |       |       |       |       |        |        |       |       |       |        |        |        |
|        | 4.500  | 3 1/4"-12 x 4.500   | 4 1/2"-12 x 4.500 | 4 1/4"-12 x 4.500  | 4 1/4"-12 x 8.250  | 5.249  |         | 1.000 |       | 3.875 | 9.500  | 1 1/2 | -24  | 1.000 | 3.000 | 3.000 | 1.188 | 1.844 | 9.500  | 6.125  | 9.250  | 3.750 |       |       |        | 9.500 | 1.562 | 6.750  | 1.750 | 2.875 | 1.375 | 1.250 | 12.250 | 15.000 | 2.250 | 3.625 | 3.938 | 13.063 |        |        |
|        | 5.000  | 3 1/2"-12 x 5.000   | 5"-12 x 5.000     | 4 3/4"-12 x 5.000  | 4 3/4"-12 x 9.000  | 5.749  |         |       |       | 4.250 |        |       |      |       |       |       |       |       |        |        |        |       |       |       |        |       |       |        |       |       |       |       |        |        |       |       |       |        |        |        |
|        | 5.500  | 4"-12 x 5.500       | 5 1/2"-12 x 5.500 | 5 1/4"-12 x 5.500  | 5 1/4"-12 x 10.000 | 6.249  |         |       |       | 4.625 |        |       |      |       |       |       |       |       |        |        |        |       |       |       |        |       |       |        |       |       |       |       |        |        |       |       |       |        |        |        |
| 10.000 | 4.500  | 3 1/4"-12 x 4.500   | 4 1/2"-12 x 4.500 | 4 1/4"-12 x 4.500  | 4 1/4"-12 x 8.250  | 5.249  | 6.375   |       | .500  | 3.875 |        |       |      | .500  |       |       |       |       |        |        |        |       |       |       | 7.260  |       |       |        |       |       |       |       |        |        |       |       | 2.937 | 4.562  | 4.750  | 16.281 |
|        | 5.000  | 3 1/2"-12 x 5.000   | 5"-12 x 5.000     | 4 3/4"-12 x 5.000  | 4 3/4"-12 x 9.000  | 5.749  | 6.875   |       | .500  | 4.250 |        |       |      | .500  |       |       |       |       |        |        |        |       |       |       | 7.750  |       |       |        |       |       |       |       |        |        |       | 3.187 | 4.812 | 5.000  | 16.531 |        |
|        | 5.500  | 4"-12 x 5.500       | 5 1/2"-12 x 5.500 | 5 1/4"-12 x 5.500  | 5 1/4"-12 x 10.000 | 6.249  | 7.375   | 1.000 | .500  | 4.625 | 12.625 | 2     | -32  | .500  | 3.688 | 3.688 | 1.094 | 1.656 | 12.125 | 8.500  | 11.750 | 5.291 | 3.775 |       | 8.260  |       | 1.562 | 8.875  | 2.250 | 3.500 | 1.625 | 1.125 | 15.875 | 19.125 | 3.187 | 4.812 | 5.000 | 16.531 |        |        |
|        | 6.000  | 4 1/2"-12 x 6.000   | 6"-12 x 6.000     | 5 3/4"-12 x 6.000  | 5 3/4"-12 x 10.000 | 6.749  | 8.500   |       | .625  | 5.125 |        |       |      | .875  |       |       |       |       |        |        |        |       |       |       | 10.000 |       |       |        |       |       |       |       |        |        |       | 3.437 | 5.062 | 5.250  | 16.781 |        |
|        | 7.000  | 5"-12 x 7.000       | 7"-12 x 7.000     | 6 1/2"-12 x 7.000  | 6 1/2"-12 x 10.000 | 7.749  | 9.437   |       | .625  | 6.000 |        |       |      | .875  |       |       |       |       |        |        |        |       |       |       | 10.500 |       |       |        |       |       |       |       |        |        |       | 3.437 | 5.062 | 5.250  | 16.781 |        |
| 12.000 | 5.500  | 4"-12 x 5.500       | 5 1/2"-12 x 5.500 | 5 1/4"-12 x 5.500  | 5 1/4"-12 x 10.000 | 6.249  | 7.375   |       | .500  | 4.625 |        |       | .500 |       |       |       |       |       |        |        |        |       |       |       | 8.260  |       |       |        |       |       |       |       |        |        |       | 3.187 | 5.187 | 5.375  | 19.000 |        |
|        | 6.000  | 4 1/2"-12 x 6.000   | 6"-12 x 6.000     | 5 3/4"-12 x 6.000  | 5 3/4"-12 x 10.000 | 6.749  | 8.500   |       | .625  | 5.125 |        |       | .875 |       |       |       |       |       |        |        |        |       |       |       | 10.000 |       |       |        |       |       |       |       |        |        | 3.437 | 5.437 | 5.625 | 19.250 |        |        |
|        | 7.000  | 5"-12 x 7.000       | 7"-12 x 7.000     | 6 1/2"-12 x 7.000  | 6 1/2"-12 x 10.000 | 7.749  | 9.437   | 1.000 | .625  | 6.000 | 14.875 | 2 1/2 | -32  | .875  | 4.438 | 4.438 | 1.188 | 1.844 | 14.500 | 10.125 | 14.000 | 6.270 | 4.555 |       | 10.500 |       | 1.562 | 10.500 | 3.000 | 4.250 | 2.000 | 1.250 | 18.875 | 22.875 | 3.437 | 5.437 | 5.625 | 19.250 |        |        |
|        | 8.000  | 5 3/4"-12 x 8.000   | 8"-12 x 8.000     | 7 1/2"-12 x 8.000  | 7 1/2"-12 x 12.000 | 8.749  | 10.500  |       | .625  | 7.000 |        |       | .875 |       |       |       |       |       |        |        |        |       |       |       | 12.000 |       |       |        |       |       |       |       |        |        | 3.437 | 5.437 | 5.625 | 19.250 |        |        |
| 14.000 | 7.000  | 5"-12 x 7.000       | 7"-12 x 7.000     | 6 1/2"-12 x 7.000  | 6 1/2"-12 x 10.000 | 7.749  | 9.437   |       |       | 6.000 |        |       |      |       |       |       |       |       |        |        |        |       |       |       | 10.500 |       |       |        |       |       |       |       |        |        |       |       |       |        |        |        |
|        | 8.000  | 5 3/4"-12 x 8.000   | 8"-12 x 8.000     | 7 1/2"-12 x 8.000  | 7 1/2"-12 x 12.000 | 8.749  | 10.500  |       | .700  | 7.000 |        |       |      |       |       |       |       |       |        |        |        |       |       |       | 12.000 |       |       |        |       |       |       |       |        |        |       |       |       |        |        |        |
|        | 9.000  | 6 1/2"-12 x 9.000   | 9"-12 x 9.000     | 8 1/2"-12 x 9.000  | 8 1/2"-12 x 13.500 | 9.749  | 11.500  |       | .7875 | 7.875 |        |       |      |       |       |       |       |       |        |        |        |       |       |       | 13.000 |       |       |        |       |       |       |       |        |        |       |       |       |        |        |        |
|        | 10.000 | 7 1/4"-12 x 10.000  | 10"-12 x 10.000   | 9 1/2"-12 x 10.000 | 9 1/2"-12 x 15.000 | 10.749 | 12.500  | 1.000 | .625  | 8.625 |        |       |      | .875  | 4.875 | 4.875 | 1.188 | 1.844 | 15.625 | 10.875 | 16.000 | 7.485 | 6.143 | 4.409 | 14.000 |       | 2.312 | 11.125 | 4.000 | 4.750 | 2.250 | 1.250 | 21.625 | 26.125 | 3.437 | 5.687 | 5.625 | 20.375 |        |        |