

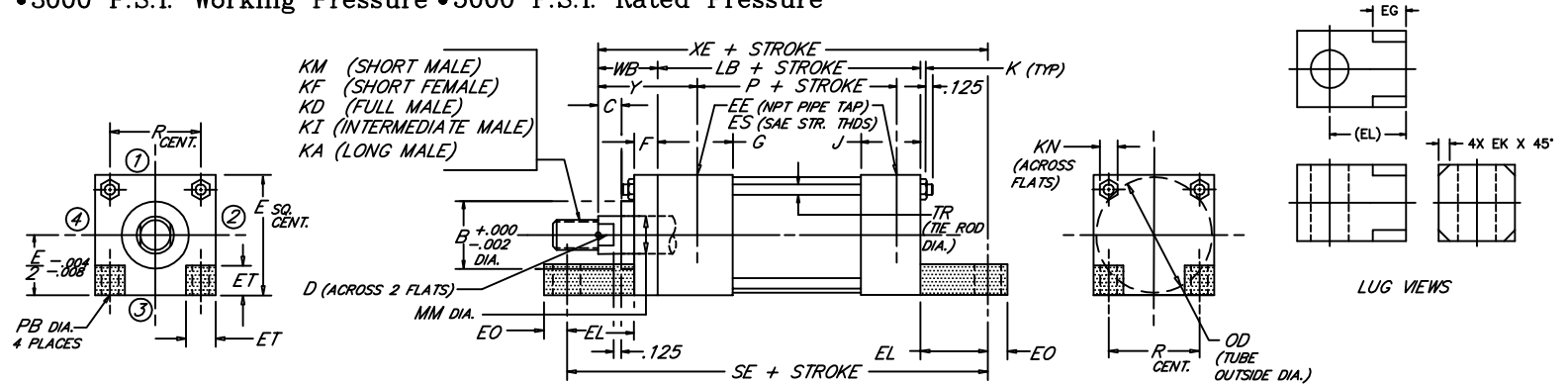
# END LUGS

Heavy Duty Hydraulic Cylinder

Peninsular  
Mounting Style:

# HP 14

•3000 P.S.I. Working Pressure •5000 P.S.I. Rated Pressure



3.14

BORE	ROD					ROD THREAD X LENGTH																NPT				SAE					
	MM	KM & KF	KD	KI	KA	B	C	D	E	EE	EG	EK	EL	EO	ES	ET	F	G	J	K	KN	LB	OD	P	PB	R	SE	TR	WB	XE	Y
1.500	.625	7/16"-20 x .750	5/8"-18 x .750	1/2"-20 x .750	1/2"-20 x 1.125	1.124	.375	.500	2.500	1/2	.380	.060	.875	.375	-8	.875	.375	1.750	1.500	.406	.562	4.625	1.875	2.875	.438	1.625	6.750	.375	1.000	6.500	2.000
	1.000	3/4"-16 x 1.125	1"-14 x 1.125	7/8"-14 x 1.125	7/8"-14 x 1.875	1.499	.500	.875	3.000	1/2	.620	.380	.9375	.500	-8	.938	.625	1.750	1.500	.531	.750	4.625	2.375	2.875	.562	2.050	7.125	.500	1.375	6.9375	2.375
2.000	1.000	3/4"-16 x 1.125	1"-14 x 1.125	7/8"-14 x 1.125	7/8"-14 x 1.875	1.499	.500	.875	3.000	1/2	.500	.310	.9375	.500	-8	.938	.625	1.750	1.500	.531	.750	4.625	2.375	2.875	.562	2.050	7.125	.500	1.375	6.9375	2.375
	1.375	1"-14 x 1.625	1 3/8"-12 x 1.625	1 1/4"-12 x 1.625	1 1/4"-12 x 2.500	1.999	.625	1.125	3.000	1/2	.500	.310	.9375	.500	-8	.938	.625	1.750	1.500	.531	.750	4.625	2.375	2.875	.562	2.050	7.125	.500	1.625	7.1875	2.625
2.500	1.000	3/4"-16 x 1.125	1"-14 x 1.125	7/8"-14 x 1.125	7/8"-14 x 1.875	1.499	.500	.875	3.000	1/2	.500	.310	.9375	.500	-8	.938	.625	1.750	1.500	.531	.750	4.750	3.000	3.000	.562	2.550	7.250	.500	1.375	7.0625	2.375
	1.375	1"-14 x 1.625	1 3/8"-12 x 1.625	1 1/4"-12 x 1.625	1 1/4"-12 x 2.500	1.999	.625	1.125	3.500	1/2	.620	.060	.9375	.500	-8	.938	.625	1.750	1.500	.531	.750	4.750	3.000	3.000	.562	2.550	7.250	.500	1.625	7.3125	2.625
3.250	1.750	1 1/4"-12 x 2.000	1 3/4"-12 x 2.000	1 1/2"-12 x 2.000	1 1/2"-12 x 3.000	2.374	.750	1.500	4.500	3/4	.620	.060	1.125	.625	-12	1.250	.750	2.000	1.750	.656	.938	5.500	3.875	3.500	.688	3.250	8.500	.625	1.625	8.250	2.750
	2.000	1 1/2"-12 x 2.250	2"-12 x 2.250	1 3/4"-12 x 2.250	1 3/4"-12 x 3.500	2.624	.875	1.688	4.500	3/4	.620	.060	1.125	.625	-12	1.250	.750	2.000	1.750	.656	.938	5.500	3.875	3.500	.688	3.250	8.500	.625	1.875	8.500	3.000
4.000	1.750	1 1/4"-12 x 2.000	1 3/4"-12 x 2.000	1 1/2"-12 x 2.000	1 1/2"-12 x 3.000	2.374	.750	1.500	4.500	3/4	.620	.060	1.125	.625	-12	1.250	.750	2.000	1.750	.656	.938	5.500	3.875	3.500	.688	3.250	8.500	.625	1.625	8.250	2.750
	2.000	1 1/2"-12 x 2.250	2"-12 x 2.250	1 3/4"-12 x 2.250	1 3/4"-12 x 3.500	2.624	.875	1.688	5.000	3/4	.620	.060	1.125	.625	-12	1.188	.875	2.000	1.750	.656	.938	5.750	4.750	3.750	.688	3.820	8.875	.625	2.000	8.875	3.125
5.000	2.500	1 7/8"-12 x 3.000	2 1/2"-12 x 3.000	2 1/4"-12 x 3.000	2 1/4"-12 x 4.500	3.124	1.000	2.062	6.500	3/4	.620	.060	1.500	.750	-12	1.562	.875	2.000	1.750	.875	1.312	6.250	6.000	4.250	.938	4.950	10.125	.875	2.000	9.750	3.125
	3.000	2 1/4"-12 x 3.500	3"-12 x 3.500	2 3/4"-12 x 3.500	2 3/4"-12 x 5.500	3.749	1.000	2.625	6.500	3/4	.620	.060	1.500	.750	-12	1.562	.875	2.000	1.750	.875	1.312	6.250	6.000	4.250	.938	4.950	10.125	.875	2.250	10.000	3.375
6.000	3.500	2 1/2"-12 x 3.500	3 1/2"-12 x 3.500	3 1/4"-12 x 3.500	3 1/4"-12 x 6.500	4.249	1.000	3.000	7.500	1	.620	.060	1.500	.750	-12	1.562	.875	2.000	1.750	.875	1.312	6.250	6.000	4.250	.938	4.950	10.125	.875	2.250	10.000	3.375
	4.000	3"-12 x 4.000	4"-12 x 4.000	3 3/4"-12 x 4.000	3 3/4"-12 x 7.500	4.749	1.000	3.375	7.500	1	.620	.060	1.6875	.875	-16	1.750	1.000	2.250	2.250	1.000	1.500	7.375	7.000	4.875	1.062	5.730	11.750	1.000	2.250	11.3125	3.500

FILE: 3.14\_HP14S2.dwg

REV: 02/09/2010