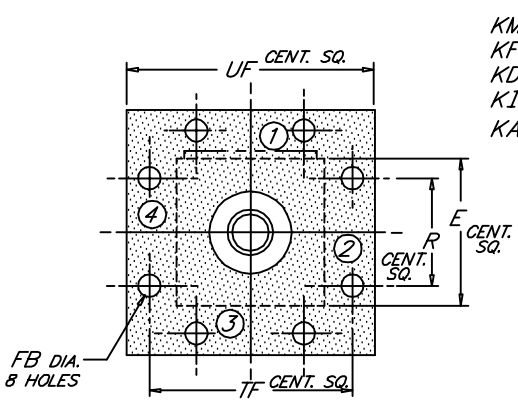
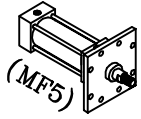


HEAD SQUARE FLANGE

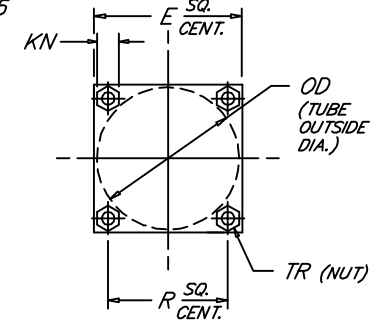
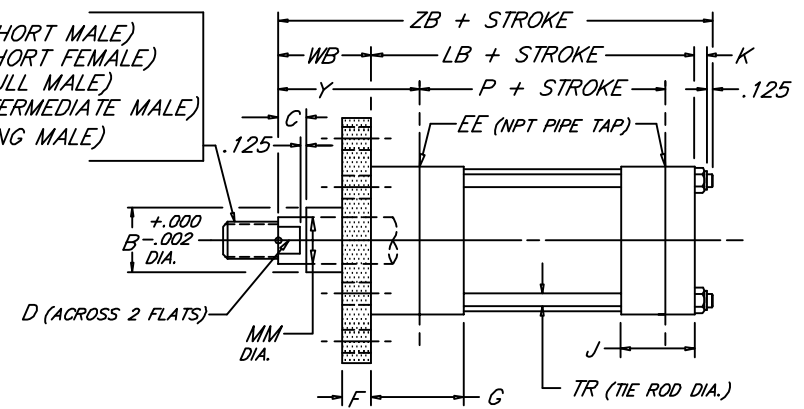
Medium Duty Aluminum Air Cylinder

Peninsular Mounting Style:

LM 17



KM (SHORT MALE)
 KF (SHORT FEMALE)
 KD (FULL MALE)
 KI (INTERMEDIATE MALE)
 KA (LONG MALE)



2.64

BORE	ROD					ROD THREAD X LENGTH																	NPT				
	MM	KM & KF	KD	KI	KA	B	C	D	E	EE	F	FB	G	J	K	KN	LB	OD	P	R	TF	TR	UF	WB	Y	ZB	
1.500	.625	7/16"-20 x .750	5/8"-18 x .750	1/2"-20 x .750	1/2"-20 x 1.125	1.124	.375	.500	2.000	3/8	.375	.312	1.500	1.000	.312	.438	3.625	1.750	2.335	1.428	2.750	.250	3.375	1.000	1.875	5.062	
	1.000	3/4"-16 x 1.125	1"-14 x 1.125	7/8"-14 x 1.125	7/8"-14 x 1.875	1.499	.500	.875															1.375	2.250	5.437		
2.000	.625	7/16"-20 x .750	5/8"-18 x .750	1/2"-20 x .750	1/2"-20 x 1.125	1.124	.375	.500	2.500	3/8	.375	.375	1.500	1.000	.344	.500	3.625	2.250	2.335	1.838	3.375	.312	4.125	1.000	1.875	5.094	
	1.000	3/4"-16 x 1.125	1"-14 x 1.125	7/8"-14 x 1.125	7/8"-14 x 1.875	1.499	.500	.875															1.375	2.250	5.469		
	1.375	1"-14 x 1.625	3/8"-12 x 1.625	1/4"-12 x 1.625	1/4"-12 x 2.500	1.999	.625	1.125															1.625	2.500	5.719		
2.500	.625	7/16"-20 x .750	5/8"-18 x .750	1/2"-20 x .750	1/2"-20 x 1.125	1.124	.375	.500	3.000	3/8	.375	.375	1.500	1.000	.344	.500	3.750	2.750	2.460	2.192	3.875	.312	4.625	1.000	1.875	5.219	
	1.000	3/4"-16 x 1.125	1"-14 x 1.125	7/8"-14 x 1.125	7/8"-14 x 1.875	1.499	.500	.875															1.375	2.250	5.594		
	1.375	1"-14 x 1.625	3/8"-12 x 1.625	1/4"-12 x 1.625	1/4"-12 x 2.500	1.999	.625	1.125															1.625	2.500	5.844		
3.250	1.000	3/4"-16 x 1.125	1"-14 x 1.125	7/8"-14 x 1.125	7/8"-14 x 1.875	1.499	.500	.875	3.750	1/2	.625	.438	1.750	1.250	.438	.562	4.250	3.500	2.750	2.758	4.688	.375	5.500	1.375	2.375	6.188	
	1.375	1"-14 x 1.625	3/8"-12 x 1.625	1/4"-12 x 1.625	1/4"-12 x 2.500	1.999	.625	1.125															1.625	2.625	6.438		
	1.750	1 1/4"-12 x 2.000	3/4"-12 x 2.000	1/2"-12 x 2.000	1/2"-12 x 3.000	2.374	.750	1.500															1.875	2.875	6.688		
4.000	2.000	1 1/2"-12 x 2.250	2"-12 x 2.250	3/4"-12 x 2.250	3/4"-12 x 3.500	2.624	.875	1.688	4.500	1/2	.625	.438	1.750	1.250	.438	.562	4.250	4.250	2.750	3.323	5.438	.375	6.250	2.000	3.000	6.813	
	2.500	1 7/8"-12 x 3.000	2 1/2"-12 x 3.000	2 1/4"-12 x 3.000	2 1/4"-12 x 4.500	3.124	1.000	2.062															2.250	3.250	7.063		
5.000	1.000	3/4"-16 x 1.125	1"-14 x 1.125	7/8"-14 x 1.125	7/8"-14 x 1.875	1.499	.500	.875															1.375	2.375	6.594		
	1.375	1"-14 x 1.625	3/8"-12 x 1.625	1/4"-12 x 1.625	1/4"-12 x 2.500	1.999	.625	1.125															1.625	2.625	6.844		
	1.750	1 1/4"-12 x 2.000	3/4"-12 x 2.000	1/2"-12 x 2.000	1/2"-12 x 3.000	2.374	.750	1.500															1.875	2.875	7.094		
6.000	2.000	1 1/2"-12 x 2.250	2"-12 x 2.250	3/4"-12 x 2.250	3/4"-12 x 3.500	2.624	.875	1.688	5.500	1/2	.625	.562	1.750	1.250	.594	.750	4.500	5.250	3.000	4.101	6.625	.500	7.625	2.000	3.000	7.219	
	2.500	1 7/8"-12 x 3.000	2 1/2"-12 x 3.000	2 1/4"-12 x 3.000	2 1/4"-12 x 4.500	3.124	1.000	2.062															2.250	3.250	7.469		
	3.000	2 1/4"-12 x 3.500	3"-12 x 3.500	3/4"-12 x 3.500	3/4"-12 x 5.500	3.749	1.000	2.625															2.250	3.250	7.469		
6.000	3.500	2 1/2"-12 x 3.500	3 1/2"-12 x 3.500	3 1/4"-12 x 3.500	3 1/4"-12 x 6.500	4.249	1.000	3.000															2.250	3.250	7.469		
	4.000	3"-12 x 4.000	4"-12 x 4.000	3 3/4"-12 x 4.000	3 3/4"-12 x 7.500	4.749	1.000	3.375															1.625	2.750	7.344		
																							1.875	3.000	7.594		

NFA DESIGN

FILE: LM17S2.dwg REV: 09-25-06