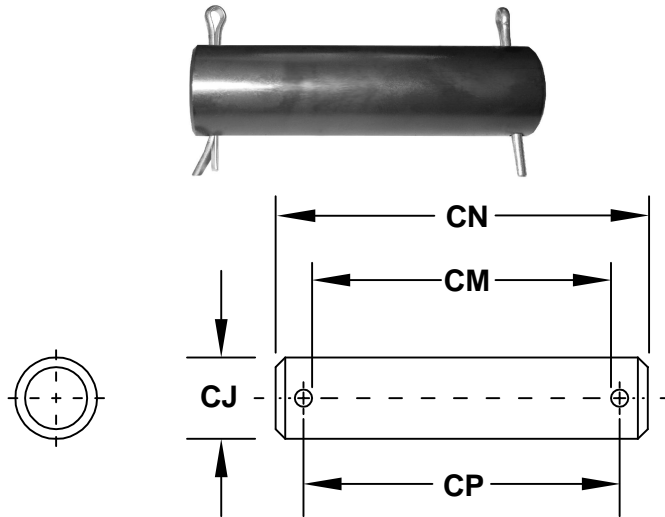
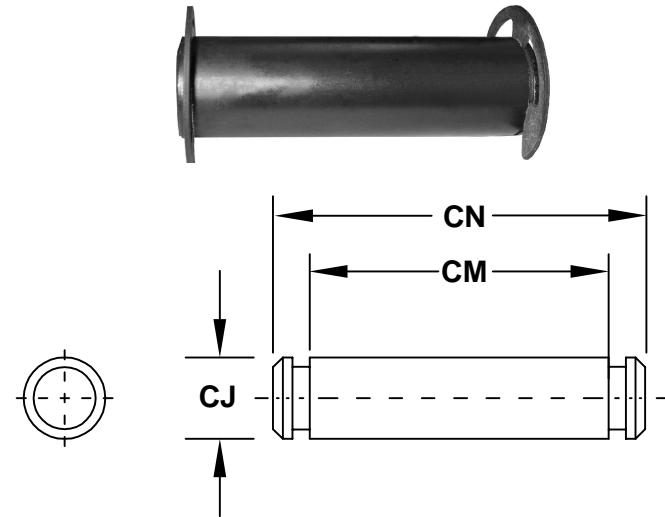


## NFPA Straight Clevis Pin Cotter Pin Design



PART No.	CJ	CN	CM	CP
C1150-66	.50	2.281	1.832	1.938
C1200-66	.75	3.094	2.579	2.719
C1400-66	1.00	3.594	3.079	3.219
C1600-66	1.38	4.656	4.077	4.250
C1800-66	1.75	5.656	5.077	5.250
C1900-66	2.00	5.719	5.077	5.281
C2500-66	2.50	6.781	6.094	6.313
C3000-66	3.00	6.844	6.094	6.344
C3500-66	3.50	8.969	8.094	8.406
C4000-66	4.00	9.969	9.094	9.406

## NFPA Straight Clevis Pin Snap Ring Design



PART No.	CJ	CN	CM
C1150-66G	.50	2.094	1.875
C1200-66G	.75	2.875	2.625
C1400-66G	1.00	3.375	3.125
C1600-66G	1.38	4.485	4.187
C1800-66G	1.75	5.547	5.188
C1900-66G	2.00	5.547	5.188
C2500-66G	2.50	6.625	6.188
C3000-66G	3.00	6.780	6.250
C3500-66G	3.50	8.845	8.125
C4000-66G	4.00	9.845	9.125

8.03