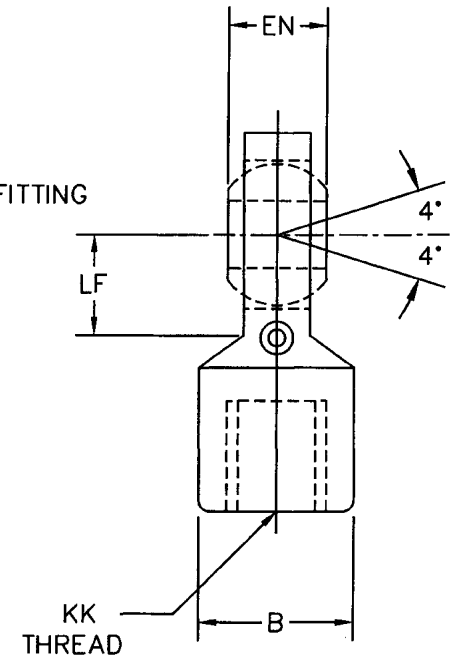
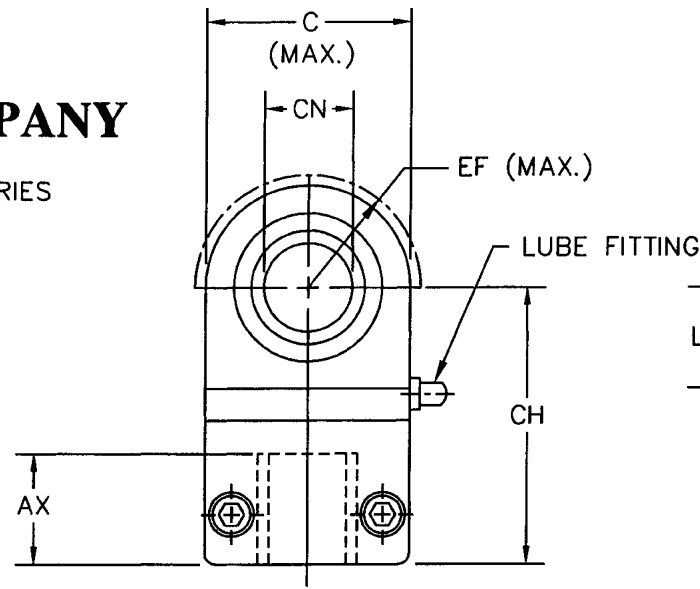


# SPHERICAL ROD EYE PENINSULAR<sup>®</sup> CYLINDER COMPANY

METRIC HIGH PRESSURE HYDRAULIC CYLINDER ACCESSORIES  
LARGE BORE SERIES – ISO 6020-3  
WORKING PRESSURE – 160 BAR (2320 PSI)  
RATED PRESSURE – 250 BAR (3625 PSI)



DIMENSIONS IN MILLIMETERS

ORDER NUMBER	TYPICAL BORE DIAMETER	TYPICAL ROD DIAMETER	TYPICAL ROD END THREAD	NOMINAL FORCE (N)	AX (MIN)	B	C (MAX)	CH	CN H7	EF (MAX)	EN H12	KK THREAD	LF (MIN)	WEIGHT (KG)
IHP250-74	250	140.0	M100 x 3	800 000	113.0	135.0	290.0	260.0	125.0	160.0	125.0	M100 x 3	120.0	49.5
IHP320-74	320	180.0	M125 x 4	1 250 000	126.0	165.0	346.0	310.0	160.0	200.0	160.0	M125 x 4	150.0	85.5
IHP360-74	360	220.0	M160 x 4	2 000 000	161.0	215.0	460.0	390.0	200.0	250.0	200.0	M160 x 4	195.0	-
IHP400-74	400	280.0	M200 x 4	3 200 000	205.0	300.0	640.0	530.0	250.0	320.0	250.0	M200 x 4	265.0	-
IHP500-74	500	360.0	M250 x 6	5 000 000	260.0	360.0	750.0	640.0	320.0	375.0	320.0	M250 x 6	325.0	-



ACCESSORY MOUNTING DIMENSIONS CONFORM TO ISO 6982  
ACCESSORIES ARE DESIGNED FOR, BUT NOT LIMITED TO, ISO 6020-3 HYDRAULIC CYLINDERS

27650 Groesbeck Highway Roseville Michigan 48066-2759 Telephone: 586-775-7211 Fax: 586-775-4545

10.07

REV. 2/09/2010