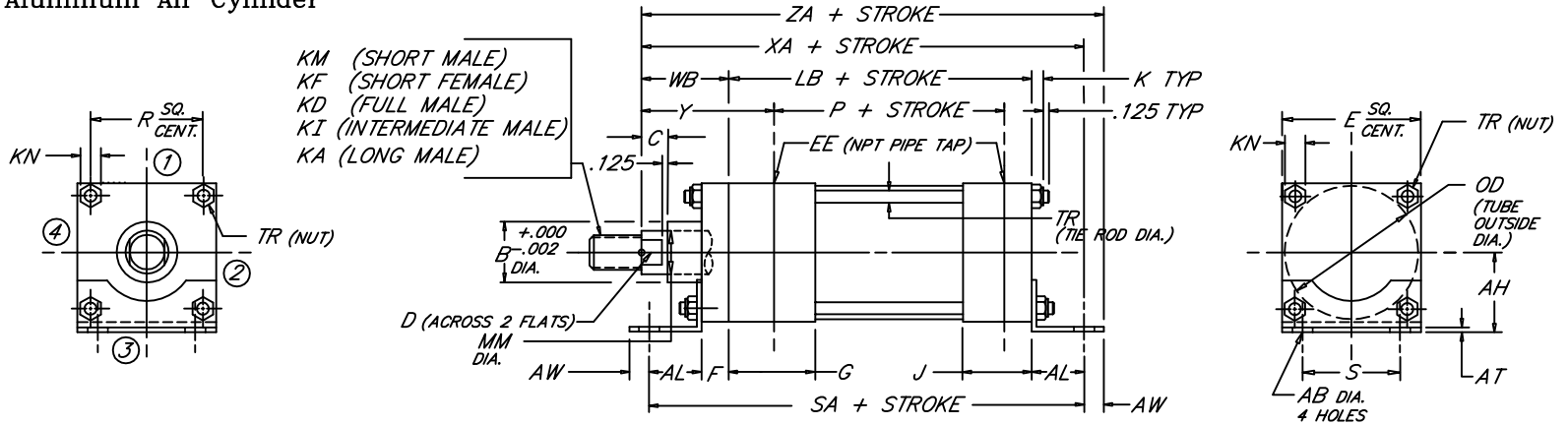


# END ANGLES

Medium Duty Aluminum Air Cylinder

Peninsular Mounting Style: **LM 13**



2.13

BORE	ROD					ROD THREAD X LENGTH																				NPT					
	MM	KM & KF	KD	KI	KA	AB	AH	AL	AT	AW	B	C	D	E	EE	F	G	J	K	KN	LB	OD	P	R	S	SA	TR	WB	XA	Y	ZA
1.500	.625	7/16"-20 x .750	5/8"-18 x .750	1/2"-20 x .750	1/2"-20 x 1.125	.438	1.188	1.000	.125	.375	1.124	.375	.500	2.000	3/8	.375	1.500	1.000	.312	.438	3.625	1.750	2.335	1.428	1.250	6.000	.250	1.000	5.625	1.875	6.000
	1.000	3/4"-16 x 1.125	1"-14 x 1.125	7/8"-14 x 1.125	7/8"-14 x 1.875						1.499	.500	.875															1.375	6.000	2.250	6.375
2.000	.625	7/16"-20 x .750	5/8"-18 x .750	1/2"-20 x .750	1/2"-20 x 1.125	.438	1.438	1.000	.125	.375	1.124	.375	.500	2.500	3/8	.375	1.500	1.000	.344	.500	3.625	2.250	2.335	1.838	1.750	6.000	.312	1.000	5.625	1.875	6.000
	1.000	3/4"-16 x 1.125	1"-14 x 1.125	7/8"-14 x 1.125	7/8"-14 x 1.875						1.499	.500	.875															1.375	6.000	2.250	6.375
	1.375	1"-14 x 1.625	1 3/8"-12 x 1.625	1 1/4"-12 x 1.625	1 1/4"-12 x 2.500						1.999	.625	1.125															1.625	6.250	2.500	6.625
2.500	.625	7/16"-20 x .750	5/8"-18 x .750	1/2"-20 x .750	1/2"-20 x 1.125	.438	1.625	1.000	.125	.375	1.124	.375	.500	3.000	3/8	.375	1.500	1.000	.344	.500	3.750	2.750	2.460	2.192	2.250	6.125	.312	1.000	5.750	1.875	6.125
	1.000	3/4"-16 x 1.125	1"-14 x 1.125	7/8"-14 x 1.125	7/8"-14 x 1.875						1.499	.500	.875															1.375	6.125	2.250	6.500
	1.375	1"-14 x 1.625	1 3/8"-12 x 1.625	1 1/4"-12 x 1.625	1 1/4"-12 x 2.500						1.999	.625	1.125															1.625	6.375	2.500	6.750
3.250	1.750	1 1/4"-12 x 2.000	1 3/4"-12 x 2.000	1 1/2"-12 x 2.000	1 1/2"-12 x 3.000						2.374	.750	1.500															1.875	6.625	2.750	7.000
	1.000	3/4"-16 x 1.125	1"-14 x 1.125	7/8"-14 x 1.125	7/8"-14 x 1.875	.562	1.938	1.250	.125	.500	1.499	.500	.875	3.750	1/2	.625	1.750	1.250	.438	.562	4.250	3.500	2.750	2.758	2.750	7.375	.375	1.375	6.875	2.375	7.375
	1.375	1"-14 x 1.625	1 3/8"-12 x 1.625	1 1/4"-12 x 1.625	1 1/4"-12 x 2.500						1.999	.625	1.125															1.625	7.125	2.625	7.625
4.000	1.750	1 1/4"-12 x 2.000	1 3/4"-12 x 2.000	1 1/2"-12 x 2.000	1 1/2"-12 x 3.000	.562	2.250	1.250	.125	.500	2.374	.750	1.500	4.500	1/2	.625	1.750	1.250	.438	.562	4.250	4.250	2.750	3.323	3.500	7.375	.375	1.875	7.375	2.875	7.875
	1.000	3/4"-16 x 1.125	1"-14 x 1.125	7/8"-14 x 1.125	7/8"-14 x 1.875						1.499	.500	.875															1.375	6.875	2.375	7.375
	1.375	1"-14 x 1.625	1 3/8"-12 x 1.625	1 1/4"-12 x 1.625	1 1/4"-12 x 2.500						1.999	.625	1.125															1.625	7.125	2.625	7.625
5.000	2.000	1 1/2"-12 x 2.250	2"-12 x 2.250	1 3/4"-12 x 2.250	1 3/4"-12 x 3.500	.688	2.750	1.375	.188	.625	2.624	.875	1.688	5.500	1/2	.625	1.750	1.250	.594	.750	4.500	5.250	3.000	4.101	4.250	7.875	.500	2.000	7.875	3.000	8.500
	1.750	1 1/4"-12 x 2.000	1 3/4"-12 x 2.000	1 1/2"-12 x 2.000	1 1/2"-12 x 3.000						2.374	.750	1.500														1.625	7.500	2.625	8.125	
	2.000	1 1/2"-12 x 2.250	2"-12 x 2.250	1 3/4"-12 x 2.250	1 3/4"-12 x 3.500						2.624	.875	1.688														1.875	7.750	2.875	8.375	
	2.500	1 7/8"-12 x 3.000	2 1/2"-12 x 3.000	2 1/4"-12 x 3.000	2 1/4"-12 x 4.500						3.124	1.000	2.062														2.250	8.125	3.250	8.750	
	3.000	2 1/4"-12 x 3.500	3"-12 x 3.500	2 3/4"-12 x 3.500	2 3/4"-12 x 5.500						3.749	1.000	2.625														2.250	8.125	3.250	8.750	
6.000	3.500	2 1/2"-12 x 3.500	3 1/2"-12 x 3.500	3 1/4"-12 x 3.500	3 1/4"-12 x 6.500						4.249	1.000	3.000														2.250	8.125	3.250	8.750	
	1.375	1"-14 x 1.625	1 3/8"-12 x 1.625	1 1/4"-12 x 1.625	1 1/4"-12 x 2.500						1.999	.625	1.125															1.625	8.000	2.750	8.625
	1.750	1 1/4"-12 x 2.000	1 3/4"-12 x 2.000	1 1/2"-12 x 2.000	1 1/2"-12 x 3.000	.812	3.250	1.375	.188	.625	2.374	.750	1.500	6.500	3/4	.750	2.000	1.500	.594	.750	5.000	6.250	3.250	4.879	5.250	8.500	.500	1.875	8.250	3.000	8.875
	2.000	1 1/2"-12 x 2.250	2"-12 x 2.250	1 3/4"-12 x 2.250	1 3/4"-12 x 3.500						2.624	.875	1.688															2.000	8.375	3.125	9.000
	2.500	1 7/8"-12 x 3.000	2 1/2"-12 x 3.000	2 1/4"-12 x 3.000	2 1/4"-12 x 4.500						3.124	1.000	2.062														2.250	8.625	3.375	9.250	
6.000	3.000	2 1/4"-12 x 3.500	3"-12 x 3.500	2 3/4"-12 x 3.500	2 3/4"-12 x 5.500						3.749	1.000	2.625														2.250	8.625	3.375	9.250	
	3.500	2 1/2"-12 x 3.500	3 1/2"-12 x 3.500	3 1/4"-12 x 3.500	3 1/4"-12 x 6.500						4.249	1.000	3.000														2.250	8.625	3.375	9.250	
	4.000	3"-12 x 4.000	4"-12 x 4.000	3 3/4"-12 x 4.000	3 3/4"-12 x 7.500						4.749	1.000	3.375														2.250	8.625	3.375	9.250	

NEVA DESIGN

FILE: 2.13\_LM13S2.dwg REV: 02/09/2010