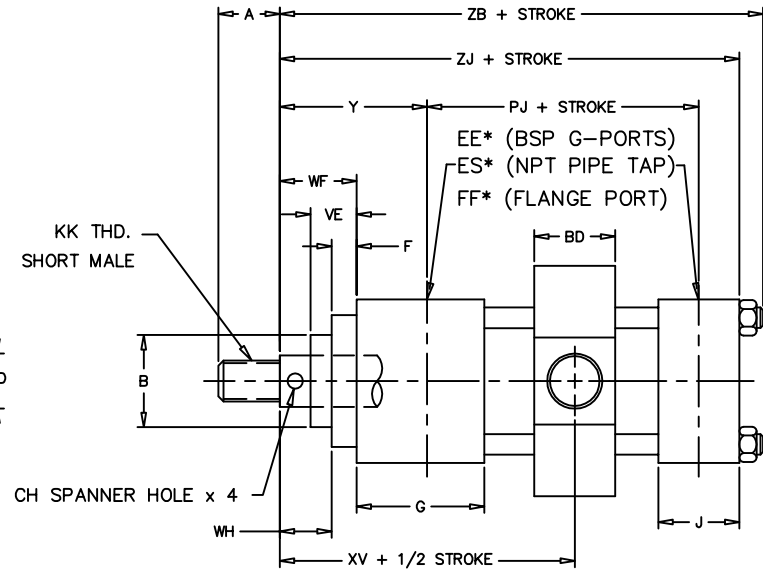
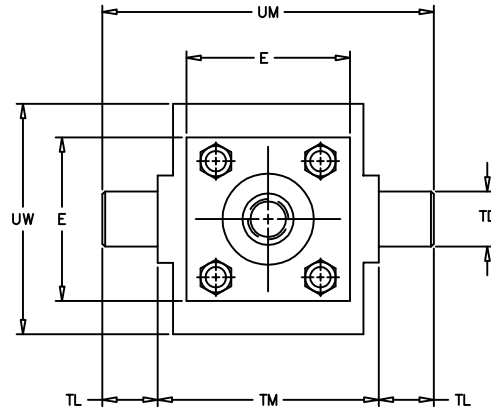


INTERMEDIATE TRUNNION PENINSULAR® CYLINDER COMPANY

METRIC HIGH PRESSURE HYDRAULIC CYLINDER
LARGE BORE SERIES – ISO 6020-3
WORKING PRESSURE – 160 BAR (2320 PSI)
RATED PRESSURE – 250 BAR (3625 PSI)

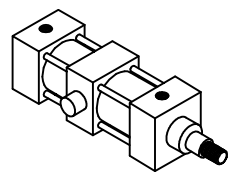
NOTE:
FOR OTHER ROD END THREADS, REFER TO THE HOW TO ORDER SERIES IHP HIGH PRESSURE HYDRAULIC CYLINDERS (LARGE BORE SERIES) INFORMATION GUIDE.
FOR SENSING OPTIONS CONTACT PENINSULAR.
*FOR PORT AND CUSHION POSITIONS, REFER TO THE HOW TO ORDER SERIES IHP HIGH PRESSURE HYDRAULIC CYLINDERS (LARGE BORE SERIES) INFORMATION GUIDE.



FOR CENTERED TRUNNION
- OR -
SPECIFY IF SPECIAL XV DIMENSION REQUIRED



BORE SIZE	PENINSULAR "M" STYLE SHOWN			DIMENSIONS IN MILLIMETERS																							
	ROD DIAMETER	KK THD. SHORT MALE	A	B f9	BD	CH	E	EE	ES	FF **	F	G	J	PJ	TD f8	TL	TM	UM	UW (MAX)	VE	WF	WH	XV (MIN)	Y	ZB	ZJ	MINIMUM STROKE
250	140.0	M100 x 3	112.0	163.0	146.0	15.0	320.0	1 1/2"	2"	DN 51	25.0	94.0	94.0	216.0	125.0	100.0	380.0	580.0	480.0	83.0	110.0	85.0	279.0	157.0	505.0	420.0	28.0
	160.0	M110 x 3	112.0	185.0																							
	180.0	M125 x 4	125.0	205.0																							
320	180.0	M125 x 4	125.0	205.0	180.0	15.0	400.0	1 1/2"	2 1/2"	DN 64	35.0	114.0	114.0	251.0	160.0	125.0	485.0	735.0	600.0	83.0	110.0	75.0	316.0	167.0	580.0	475.0	47.0
	200.0	M140 x 4	140.0	225.0																							
	220.0	M160 x 4	160.0	245.0																							
360	180.0	M125 x 4	125.0	205.0	200.0	15.0	450.0	2"	2 1/2"	DN 64	42.0	124.0	124.0	296.0	180.0	145.0	545.0	835.0	675.0	83.0	110.0	68.0	336.0	172.0	640.0	530.0	32.0
	220.0	M160 x 4	160.0	245.0																							
	250.0	M180 x 4	180.0	275.0																							
400	220.0	M160 x 4	160.0	245.0	220.0	15.0	500.0	2"	2 1/2"	DN 64	50.0	150.0	150.0	320.0	200.0	160.0	605.0	925.0	750.0	83.0	110.0	60.0	372.0	185.0	685.0	580.0	54.0
	250.0	M180 x 4	180.0	275.0																							
	280.0	M200 x 4	200.0	305.0																							
500	280.0	M200 x 4	200.0	305.0	270.0	15.0	630.0	2"	2 1/2"	DN 64	70.0	200.0	200.0	400.0	250.0	200.0	745.0	1145.0	945.0	83.0	110.0	40.0	447.0	210.0	825.0	710.0	74.0
	320.0	M220 x 4	220.0	345.0																							
	360.0	M250 x 6	250.0	385.0																							



IHP 6 (MT4)

ISO 6020-3

** PER ISO 6162