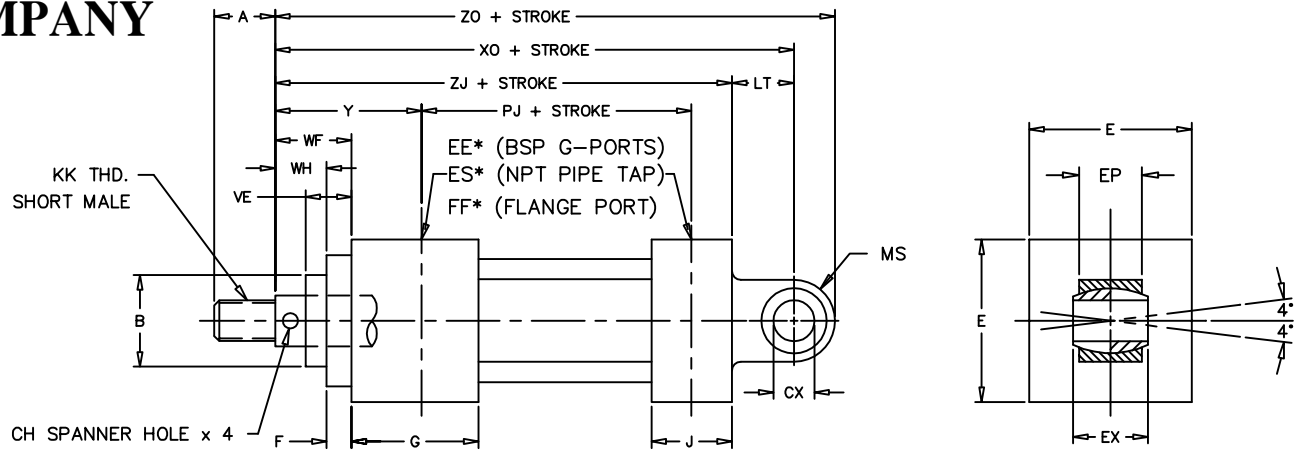


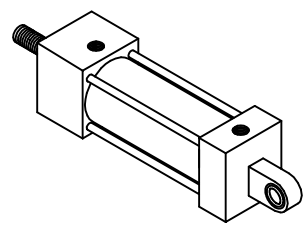
# REAR SPHERICAL MOUNT PENINSULAR<sup>®</sup> CYLINDER COMPANY

METRIC HIGH PRESSURE HYDRAULIC CYLINDER  
LARGE BORE SERIES – ISO 6020-3  
WORKING PRESSURE – 160 BAR (2320 PSI)  
RATED PRESSURE – 250 BAR (3625 PSI)

NOTE:  
FOR OTHER ROD END THREADS, REFER TO THE HOW TO ORDER SERIES IHP HIGH PRESSURE HYDRAULIC CYLINDERS (LARGE BORE SERIES) INFORMATION GUIDE. FOR SENSING OPTIONS CONTACT PENINSULAR.  
\*FOR PORT AND CUSHION POSITIONS, REFER TO THE HOW TO ORDER SERIES IHP HIGH PRESSURE HYDRAULIC CYLINDERS (LARGE BORE SERIES) INFORMATION GUIDE.



BORE SIZE	ROD DIAMETER	PENINSULAR "M" STYLE SHOWN KK THD. SHORT MALE	DIMENSIONS IN MILLIMETERS																						
			A	B $\phi$	CH	CX	E	EP	EX	EE	ES	FF **	F	G	J	LT	MS	PJ	VE	WF	WH	XO	Y	ZO	ZJ
250	140.0	M100 x 3	112.0	163.0	15.0	125.0	320.0	102.0	125.0	1 1/2"	2"	DN 51	25.0	94.0	94.0	160.0	160.0	216.0	83.0	110.0	85.0	580.0	157.0	740.0	420.0
	160.0	M110 x 3	112.0	185.0																					
	180.0	M125 x 4	125.0	205.0																					
320	180.0	M125 x 4	125.0	205.0	15.0	160.0	400.0	130.0	160.0	1 1/2"	2 1/2"	DN 64	35.0	114.0	114.0	200.0	200.0	251.0	83.0	110.0	75.0	675.0	167.0	875.0	475.0
	200.0	M140 x 4	140.0	225.0																					
	220.0	M160 x 4	160.0	245.0																					
360	180.0	M125 x 4	125.0	205.0	15.0	160.0	450.0	130.0	160.0	2"	2 1/2"	DN 64	42.0	124.0	124.0	200.0	200.0	296.0	83.0	110.0	68.0	730.0	172.0	930.0	530.0
	220.0	M160 x 4	160.0	245.0																					
	250.0	M180 x 4	180.0	275.0																					
400	220.0	M160 x 4	160.0	245.0	15.0	200.0	500.0	162.0	200.0	2"	2 1/2"	DN 64	50.0	150.0	150.0	250.0	250.0	320.0	83.0	110.0	60.0	830.0	185.0	1080.0	580.0
	250.0	M180 x 4	180.0	275.0																					
	280.0	M200 x 4	200.0	305.0																					
500	280.0	M200 x 4	200.0	305.0	15.0	250.0	630.0	192.0	250.0	2"	2 1/2"	DN 64	70.0	200.0	200.0	320.0	320.0	400.0	83.0	110.0	40.0	1030.0	210.0	1350.0	710.0
	320.0	M220 x 4	220.0	345.0																					
	360.0	M250 x 6	250.0	385.0																					



IHP 22 (MP5)

ISO 6020-3

\*\* PER ISO 6162