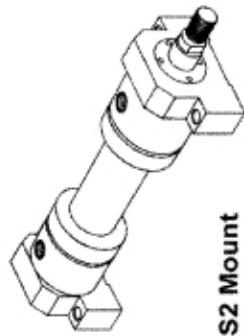
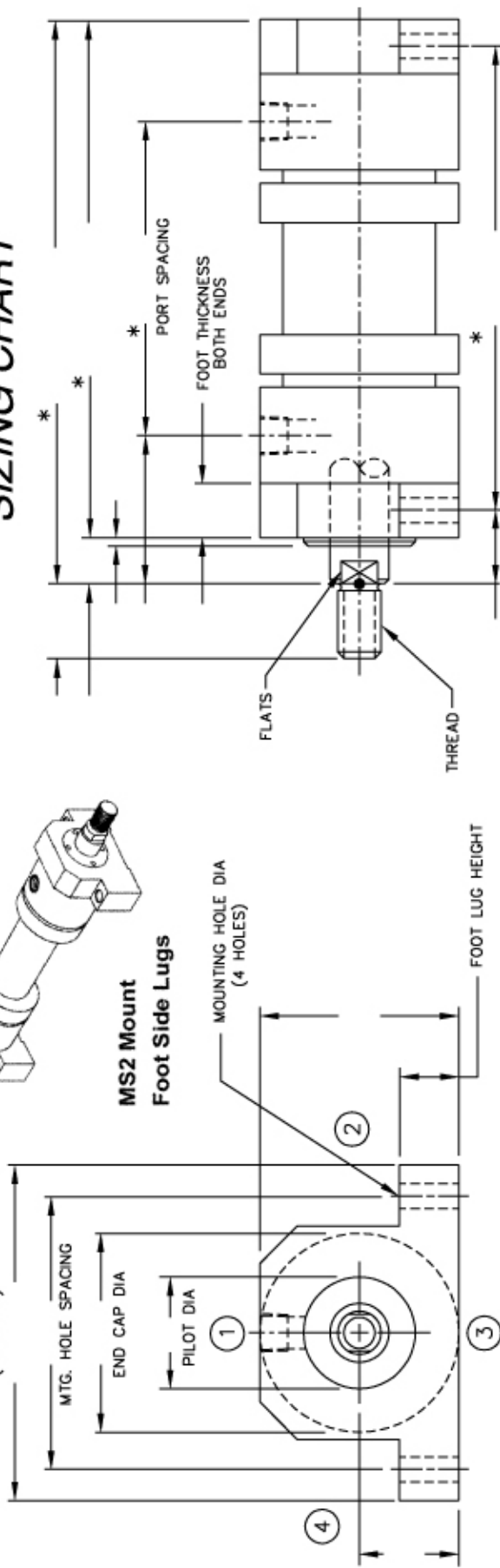


FOOT SIDE LUGS (MS2)



**MS2 Mount
Foot Side Lugs**



PENINSULAR MILL CYLINDER SIZING CHART

INCH CYLINDER METRIC CYLINDER AIR CYLINDER LOW PRESSURE HYDRAULIC CYLINDER HIGH PRESSURE HYDRAULIC CYLINDER

IF HYDRAULIC BOX IS CHECKED, INDICATE WORKING PRESSURE: _____ INDICATE MAXIMUM RATED PRESSURE: _____ SAFETY FACTOR REQUIRED: _____

BORE DIAMETER: _____ STROKE LENGTH: _____ PISTON ROD DIAMETER: _____

PISTON ROD END THREAD: MALE FEMALE OTHER / SPECIFY THREAD DIA, PITCH & LENGTH (I.E., 3/4"-16 x 1.125) _____

SLEEVE (TUBE) MATERIAL: STEEL OTHER / SPECIFY MATERIAL: _____

CYLINDER HEAD MATERIAL: STEEL OTHER / SPECIFY MATERIAL: _____

CUSHIONS: YES NO IF YES: / SPECIFY ROD END ONLY CAP END ONLY CUSHION AT BOTH ENDS

ROD END CUSHION ADJUSTMENT LOCATION (1,2,3 OR 4): _____ CAP END CUSHION ADJUSTMENT LOCATION (1,2,3 OR 4): _____

INDICATE TYPE OF PORT: NPTF SAE O-RING 4-BOLT FLANGE METRIC OTHER (SPECIFY) _____

INDICATE PORT SIZE: BOTH ENDS _____ ROD END _____ CAP END _____


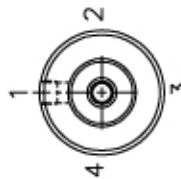
INDICATE LOCATION OF CYLINDER PORTS: _____ CAP END (1,2,3 OR 4) _____

SUPPLY EXISTING CYLINDER MANUFACTURER & MODEL NUMBER INFORMATION IF KNOWN: _____

SUPPLY ALL PERTINENT INFORMATION ON EXISTING CYLINDER TAG: _____

OPERATING FLUID: _____ OPERATING TEMPERATURE: _____ OPERATING ENVIRONMENT: _____

SPECIAL OR OPTIONAL FEATURES REQUIRED: _____

-FEATURE LOCATION KEY-
 (VIEWED FACING ROD END.)

IF NECESSARY, ATTACH DRAWINGS, SKETCHES OR PHOTOGRAPHS TO PROVIDE ADDITIONAL DETAIL REGARDING YOUR CYLINDER AND/OR APPLICATION
 ANY QUESTIONS? CALL PENINSULAR AT 1-800-526-7968 OR (586) 775-7211

*-ADD STROKE TO THESE DIMENSIONS.

27650 Groesbeck Highway Roseville Michigan 48066-2759 Telephone: 586-775-7211 Fax: 586-775-4545 MEMBER NFPA
 Toll Free: 1-800-526-7968 Internet: www.peninsularcylinders.com Email: sales@peninsularcylinders.com



REL. 10-14-02