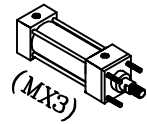


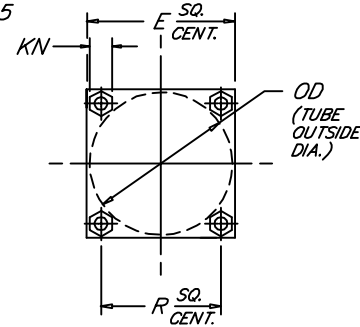
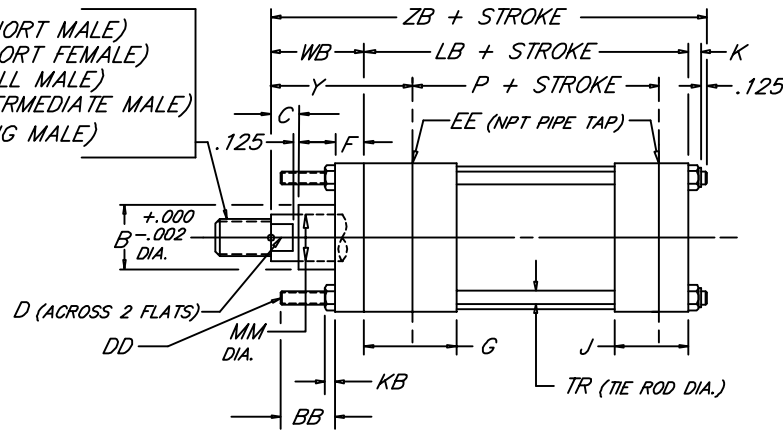
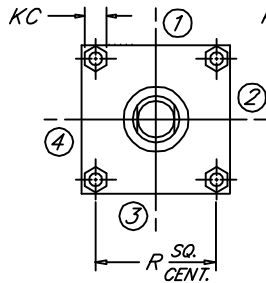
HEAD TIE ROD EXTENDED

Peninsular Mounting Style: **MH 8**

Heavy Duty Steel Air Cylinder



KM (SHORT MALE)
 KF (SHORT FEMALE)
 KD (FULL MALE)
 KI (INTERMEDIATE MALE)
 KA (LONG MALE)



1.17

BORE	ROD					ROD THREAD X LENGTH																	NPT																
	MM	KM & KF	KD	KI	KA	B	BB	C	D	DD	E	EE	F	G	J	K	KB	KC	KN	LB	OD	P	R	TR	WB	Y	ZB												
1.500	.625	7/16"-20 x .750	5/8"-18 x .750	1/2"-20 x .750	1/2"-20 x 1.125	1.124	1.000	.375	.500	1/4"-28	2.000	3/8	.375	1.500	1.000	.312	.218	.438	.438	3.625	1.750	2.335	1.428	.250	1.000	1.875	5.062												
	1.000	3/4"-16 x 1.125	1"-14 x 1.125	7/8"-14 x 1.125	7/8"-14 x 1.875	1.499	1.000	.500	.875																1.375	2.250	5.437												
2.000	.625	7/16"-20 x .750	5/8"-18 x .750	1/2"-20 x .750	1/2"-20 x 1.125	1.124		.375	.500																1.000	1.875	5.094												
	1.000	3/4"-16 x 1.125	1"-14 x 1.125	7/8"-14 x 1.125	7/8"-14 x 1.875	1.499	1.125	.500	.875	5/16"-24	2.500	3/8	.375	1.500	1.000	.344	.250	.500	.500	3.625	2.250	2.335	1.838	.312	1.375	2.250	5.469												
	1.375	1"-14 x 1.625	3/8"-12 x 1.625	1 1/4"-12 x 1.625	1 1/4"-12 x 2.500	1.999		.625	1.125																1.625	2.500	5.719												
2.500	.625	7/16"-20 x .750	5/8"-18 x .750	1/2"-20 x .750	1/2"-20 x 1.125	1.124		.375	.500																	1.000	1.875	5.219											
	1.000	3/4"-16 x 1.125	1"-14 x 1.125	7/8"-14 x 1.125	7/8"-14 x 1.875	1.499		.500	.875																	1.375	2.250	5.594											
	1.375	1"-14 x 1.625	3/8"-12 x 1.625	1 1/4"-12 x 1.625	1 1/4"-12 x 2.500	1.999	1.125	.500	1.125	5/16"-24	3.000	3/8	.375	1.500	1.000	.344	.250	.500	.500	3.750	2.750	2.460	2.192	.312	1.625	2.500	5.844												
	1.750	1 1/4"-12 x 2.000	3/4"-12 x 2.000	1 1/2"-12 x 2.000	1 1/2"-12 x 3.000	2.374		.750	1.500																	1.875	2.750	6.094											
3.250	1.000	3/4"-16 x 1.125	1"-14 x 1.125	7/8"-14 x 1.125	7/8"-14 x 1.875	1.499		.500	.875																	1.375	2.375	6.188											
	1.375	1"-14 x 1.625	3/8"-12 x 1.625	1 1/4"-12 x 1.625	1 1/4"-12 x 2.500	1.999		.625	1.125																	1.625	2.625	6.438											
	1.750	1 1/4"-12 x 2.000	3/4"-12 x 2.000	1 1/2"-12 x 2.000	1 1/2"-12 x 3.000	2.374	1.375	.750	1.500	3/8"-24	3.750	1/2	.625	1.750	1.250	.438	.328	.562	.562	4.250	3.500	2.750	2.758	.375	1.875	2.875	6.688												
	2.000	1 1/2"-12 x 2.250	2"-12 x 2.250	3/4"-12 x 2.250	3/4"-12 x 3.500	2.624		.875	1.688																	2.000	3.000	6.813											
4.000	1.000	3/4"-16 x 1.125	1"-14 x 1.125	7/8"-14 x 1.125	7/8"-14 x 1.875	1.499		.500	.875																	1.375	2.375	6.188											
	1.375	1"-14 x 1.625	3/8"-12 x 1.625	1 1/4"-12 x 1.625	1 1/4"-12 x 2.500	1.999		.625	1.125																	1.625	2.625	6.438											
	1.750	1 1/4"-12 x 2.000	3/4"-12 x 2.000	1 1/2"-12 x 2.000	1 1/2"-12 x 3.000	2.374	1.375	.750	1.500	3/8"-24	4.500	1/2	.625	1.750	1.250	.438	.328	.562	.562	4.250	4.250	2.750	3.323	.375	1.875	2.875	6.688												
	2.000	1 1/2"-12 x 2.250	2"-12 x 2.250	3/4"-12 x 2.250	3/4"-12 x 3.500	2.624		.875	1.688																	2.000	3.000	6.813											
	2.500	1 7/8"-12 x 3.000	2 1/2"-12 x 3.000	2 1/4"-12 x 3.000	2 1/4"-12 x 4.500	3.124		1.000	2.062																	2.250	3.250	7.063											
5.000	1.000	3/4"-16 x 1.125	1"-14 x 1.125	7/8"-14 x 1.125	7/8"-14 x 1.875	1.499		.500	.875																	1.375	2.375	6.594											
	1.375	1"-14 x 1.625	3/8"-12 x 1.625	1 1/4"-12 x 1.625	1 1/4"-12 x 2.500	1.999		.625	1.125																	1.625	2.625	6.844											
	1.750	1 1/4"-12 x 2.000	3/4"-12 x 2.000	1 1/2"-12 x 2.000	1 1/2"-12 x 3.000	2.374		.750	1.500																	1.875	2.875	7.094											
	2.000	1 1/2"-12 x 2.250	2"-12 x 2.250	3/4"-12 x 2.250	3/4"-12 x 3.500	2.624	1.812	.875	1.688	1/2"-20	5.500	1/2	.625	1.750	1.250	.594	.438	.750	.750	4.500	5.250	3.000	4.101	.500	2.000	3.000	7.219												
	2.500	1 7/8"-12 x 3.000	2 1/2"-12 x 3.000	2 1/4"-12 x 3.000	2 1/4"-12 x 4.500	3.124		1.000	2.062																	2.250	3.250	7.469											
	3.000	2 1/4"-12 x 3.500	3"-12 x 3.500	2 3/4"-12 x 3.500	2 3/4"-12 x 5.500	3.749		1.000	2.625																	2.250	3.250	7.469											
6.000	1.375	1"-14 x 1.625	3/8"-12 x 1.625	1 1/4"-12 x 1.625	1 1/4"-12 x 2.500	1.999		.625	1.125																	1.625	2.750	7.344											
	1.750	1 1/4"-12 x 2.000	3/4"-12 x 2.000	1 1/2"-12 x 2.000	1 1/2"-12 x 3.000	2.374		.750	1.500																	1.875	3.000	7.594											
	2.000	1 1/2"-12 x 2.250	2"-12 x 2.250	3/4"-12 x 2.250	3/4"-12 x 3.500	2.624		.875	1.688																	2.000	3.125	7.719											
	2.500	1 7/8"-12 x 3.000	2 1/2"-12 x 3.000	2 1/4"-12 x 3.000	2 1/4"-12 x 4.500	3.124	1.812	1.000	2.062	1/2"-20	6.500	3/4	.750	2.000	1.500	.594	.438	.750	.750	5.000	6.250	3.250	4.879	.500	2.250	3.375	7.969												
	3.000	2 1/4"-12 x 3.500	3"-12 x 3.500	2 3/4"-12 x 3.500	2 3/4"-12 x 5.500	3.749		1.000	2.625																	2.250	3.375	7.969											
	4.000	3"-12 x 4.000	4"-12 x 4.000	3 3/4"-12 x 4.000	3 3/4"-12 x 7.500	4.749		1.000	3.375																	2.250	3.375	7.969											

MEVA DESIGN

FILE: MH8S2.dwg REV: 09-25-06