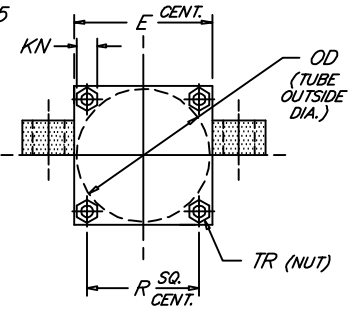
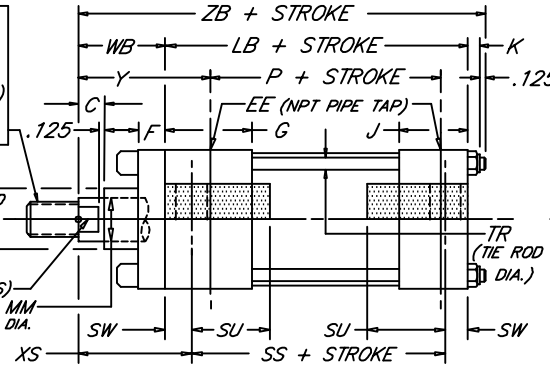
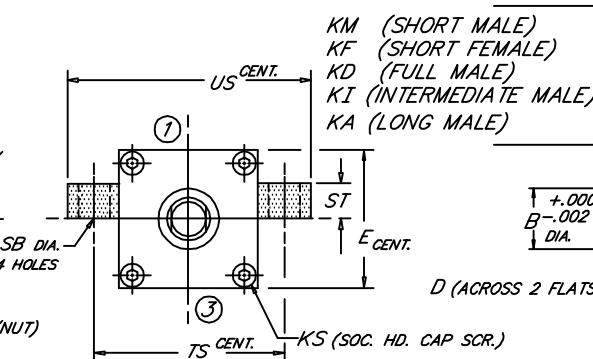
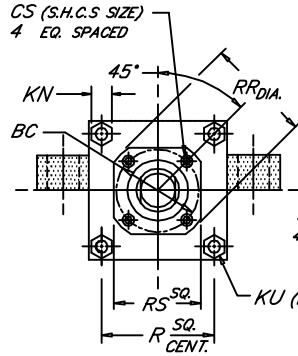
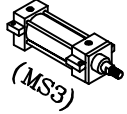


CENTERLINE LUGS

Heavy Duty Steel Air Cylinder

Peninsular Mounting Style: **MH 15**



1.22

BORE	ROD		ROD THREAD X LENGTH					NPT																															
	MM	KM & KF	KD	KI	KA	B	BC	C	CS	D	E	EE	F	G	J	K	KN	KS	KU	LB	OD	P	R	RR	RS	SB	SS	ST	SU	SW	TR	TS	US	WB	XS	Y	ZB		
1.500	.625	7/16"-20 x .750	5/8"-18 x .750	1/2"-20 x .750	1/2"-20 x 1.125	1.124	---	.375	---	.500	2.000	3/8	.375	1.500	1.000	.312	.438	.250	---	3.625	1.750	2.335	1.428	---	---	.438	2.875	.500	.938	.375	.250	2.750	3.500	1.000	1.375	1.875	1.875	5.062	5.437
	1.000	3/4"-16 x 1.125	1"-14 x 1.125	7/8"-14 x 1.125	7/8"-14 x 1.875	1.499	---	.500	---	.875	2.500	3/8	.375	1.500	1.000	.344	.500	.312	---	3.625	2.250	2.335	1.838	---	---	.438	2.875	.500	.938	.375	.312	3.250	4.000	1.000	1.375	1.750	2.250	5.469	5.844
	1.375	1"-14 x 1.625	1 3/8"-12 x 1.625	1 1/4"-12 x 1.625	1 1/4"-12 x 2.500	1.999	---	.625	---	1.125	3.000	3/8	.375	1.500	1.000	.344	.500	.312	---	3.750	2.750	2.460	2.192	---	---	.438	3.000	.500	.938	.375	.312	3.750	4.500	1.000	1.375	1.750	2.250	5.594	5.969
2.000	.625	7/16"-20 x .750	5/8"-18 x .750	1/2"-20 x .750	1/2"-20 x 1.125	1.124	---	.375	---	.500	2.000	3/8	.375	1.500	1.000	.312	.438	.250	---	3.625	1.750	2.335	1.428	---	---	.438	2.875	.500	.938	.375	.250	2.750	3.500	1.000	1.375	1.875	1.875	5.094	5.469
	1.000	3/4"-16 x 1.125	1"-14 x 1.125	7/8"-14 x 1.125	7/8"-14 x 1.875	1.499	---	.500	---	.875	2.500	3/8	.375	1.500	1.000	.344	.500	.312	---	3.625	2.250	2.335	1.838	---	---	.438	2.875	.500	.938	.375	.312	3.250	4.000	1.000	1.375	1.750	2.250	5.469	5.844
	1.375	1"-14 x 1.625	1 3/8"-12 x 1.625	1 1/4"-12 x 1.625	1 1/4"-12 x 2.500	1.999	---	.625	---	1.125	3.000	3/8	.375	1.500	1.000	.344	.500	.312	---	3.750	2.750	2.460	2.192	---	---	.438	3.000	.500	.938	.375	.312	3.750	4.500	1.000	1.375	1.750	2.250	5.594	5.969
2.500	.625	7/16"-20 x .750	5/8"-18 x .750	1/2"-20 x .750	1/2"-20 x 1.125	1.124	---	.375	---	.500	2.000	3/8	.375	1.500	1.000	.312	.438	.250	---	3.625	1.750	2.335	1.428	---	---	.438	2.875	.500	.938	.375	.250	2.750	3.500	1.000	1.375	1.875	1.875	5.219	5.594
	1.000	3/4"-16 x 1.125	1"-14 x 1.125	7/8"-14 x 1.125	7/8"-14 x 1.875	1.499	---	.500	---	.875	2.500	3/8	.375	1.500	1.000	.344	.500	.312	---	3.625	2.250	2.335	1.838	---	---	.438	2.875	.500	.938	.375	.312	3.250	4.000	1.000	1.375	1.750	2.250	5.469	5.844
	1.375	1"-14 x 1.625	1 3/8"-12 x 1.625	1 1/4"-12 x 1.625	1 1/4"-12 x 2.500	1.999	---	.625	---	1.125	3.000	3/8	.375	1.500	1.000	.344	.500	.312	---	3.750	2.750	2.460	2.192	---	---	.438	3.000	.500	.938	.375	.312	3.750	4.500	1.000	1.375	1.750	2.250	5.594	5.969
3.250	.625	7/16"-20 x .750	5/8"-18 x .750	1/2"-20 x .750	1/2"-20 x 1.125	1.124	---	.375	---	.500	2.000	3/8	.375	1.500	1.000	.312	.438	.250	---	3.625	1.750	2.335	1.428	---	---	.438	2.875	.500	.938	.375	.250	2.750	3.500	1.000	1.375	1.875	1.875	5.219	5.594
	1.000	3/4"-16 x 1.125	1"-14 x 1.125	7/8"-14 x 1.125	7/8"-14 x 1.875	1.499	---	.500	---	.875	2.500	3/8	.375	1.500	1.000	.344	.500	.312	---	3.625	2.250	2.335	1.838	---	---	.438	2.875	.500	.938	.375	.312	3.250	4.000	1.000	1.375	1.750	2.250	5.469	5.844
	1.375	1"-14 x 1.625	1 3/8"-12 x 1.625	1 1/4"-12 x 1.625	1 1/4"-12 x 2.500	1.999	---	.625	---	1.125	3.000	3/8	.375	1.500	1.000	.344	.500	.312	---	3.750	2.750	2.460	2.192	---	---	.438	3.000	.500	.938	.375	.312	3.750	4.500	1.000	1.375	1.750	2.250	5.594	5.969
4.000	.625	7/16"-20 x .750	5/8"-18 x .750	1/2"-20 x .750	1/2"-20 x 1.125	1.124	---	.375	---	.500	2.000	3/8	.375	1.500	1.000	.312	.438	.250	---	3.625	1.750	2.335	1.428	---	---	.438	2.875	.500	.938	.375	.250	2.750	3.500	1.000	1.375	1.875	1.875	5.219	5.594
	1.000	3/4"-16 x 1.125	1"-14 x 1.125	7/8"-14 x 1.125	7/8"-14 x 1.875	1.499	---	.500	---	.875	2.500	3/8	.375	1.500	1.000	.344	.500	.312	---	3.625	2.250	2.335	1.838	---	---	.438	2.875	.500	.938	.375	.312	3.250	4.000	1.000	1.375	1.750	2.250	5.469	5.844
	1.375	1"-14 x 1.625	1 3/8"-12 x 1.625	1 1/4"-12 x 1.625	1 1/4"-12 x 2.500	1.999	---	.625	---	1.125	3.000	3/8	.375	1.500	1.000	.344	.500	.312	---	3.750	2.750	2.460	2.192	---	---	.438	3.000	.500	.938	.375	.312	3.750	4.500	1.000	1.375	1.750	2.250	5.594	5.969
5.000	.625	7/16"-20 x .750	5/8"-18 x .750	1/2"-20 x .750	1/2"-20 x 1.125	1.124	---	.375	---	.500	2.000	3/8	.375	1.500	1.000	.312	.438	.250	---	3.625	1.750	2.335	1.428	---	---	.438	2.875	.500	.938	.375	.250	2.750	3.500	1.000	1.375	1.875	1.875	5.219	5.594
	1.000	3/4"-16 x 1.125	1"-14 x 1.125	7/8"-14 x 1.125	7/8"-14 x 1.875	1.499	---	.500	---	.875	2.500	3/8	.375	1.500	1.000	.344	.500	.312	---	3.625	2.250	2.335	1.838	---	---	.438	2.875	.500	.938	.375	.312	3.250	4.000	1.000	1.375	1.750	2.250	5.469	5.844
	1.375	1"-14 x 1.625	1 3/8"-12 x 1.625	1 1/4"-12 x 1.625	1 1/4"-12 x 2.500	1.999	---	.625	---	1.125	3.000	3/8	.375	1.500	1.000	.344	.500	.312	---	3.750	2.750	2.460	2.192	---	---	.438	3.000	.500	.938	.375	.312	3.750	4.500	1.000	1.375	1.750	2.250	5.594	5.969
6.000	.625	7/16"-20 x .750	5/8"-18 x .750	1/2"-20 x .750	1/2"-20 x 1.125	1.124	---	.375	---	.500	2.000	3/8	.375	1.500	1.000	.312	.438	.250	---	3.625	1.750	2.335	1.428	---	---	.438	2.875	.500	.938	.375	.250	2.750	3.500	1.000	1.375	1.875	1.875	5.219	5.594
	1.000	3/4"-16 x 1.125	1"-14 x 1.125	7/8"-14 x 1.125	7/8"-14 x 1.875	1.499	---	.500	---	.875	2.500	3/8	.375	1.500	1.000	.344	.500	.312	---	3.625	2.250	2.335	1.838	---	---	.438	2.875	.500	.938	.375	.312	3.250	4.000	1.000	1.375	1.750	2.250	5.469	5.844
	1.375	1"-14 x 1.625	1 3/8"-12 x 1.625	1 1/4"-12 x 1.625	1 1/4"-12 x 2.500	1.999	---	.625	---	1.125	3.000	3/8	.375	1.500	1.000	.344	.500	.312	---	3.750	2.750	2.460	2.192	---	---	.438	3.000	.500	.938	.375	.312	3.750	4.500	1.000	1.375	1.750	2.250	5.594	5.969

NEVA DESIGN

FILE: MH15S2.dwg REV: 09-25-06

27650 Groesbeck Hwy • Roseville, MI 48066-2759 • Phone 586.775.7211 • Fax 586.775.4545 • Toll Free 800.526.7968 • e-mail: sales@peninsularcylinders.com • www.peninsularcylinders.com